

# Mounting Bracket for 54,5 × 27 × 16 mm (M)

## WM

Part Number

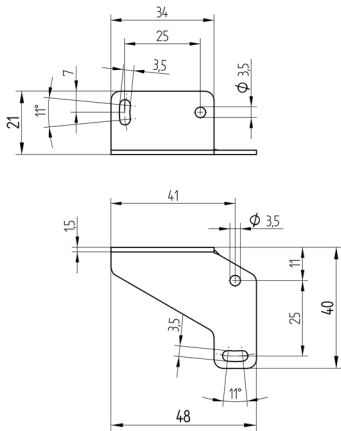
### Technical Data

#### Mechanical Data

Material	Steel Plate, nickel-plated
Packaging unit	1 Piece
Mounting Number	<b>360</b>



- For 54,5 × 27 × 16 mm



All dimensions in mm (1 mm = 0.03937 Inch)

