

Mounting for M30 × 1,5

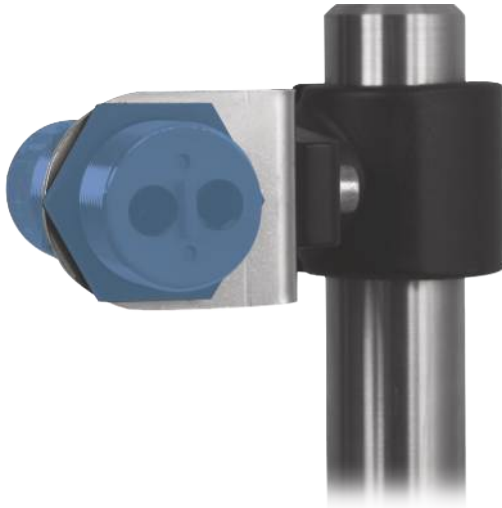
W30S30KU

Part Number

Technical Data

Mechanical Data

Material Mounting Head	Plastic PA
Material Mounting Plate	Stainless Steel V2A
for Round Profile Diameter	30 mm
Packaging unit	1 Piece
Mounting Number	130



- Flexible alignment options
- For M30 × 1,5
- Plastic
- Simple installation

The mounting system allows to adjust sensors and reflectors and to turn them around 360 degrees in horizontal and vertical direction.

