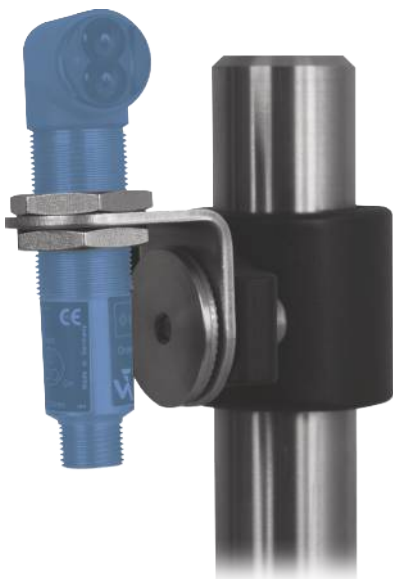


# Mounting for M18 × 1

## W18S30KU

Part Number



### Technical Data

#### Mechanical Data

Material Mounting Head	Plastic PA
Material Mounting Plate	Stainless Steel V2A
for Round Profile Diameter	30 mm
Packaging unit	1 Piece
Mounting Number	<b>150</b>

- Flexible alignment options
- For M18 × 1
- Plastic
- Simple installation

The mounting system allows to adjust sensors and reflectors and to turn them around 360 degrees in horizontal and vertical direction.

