

Inductive Sensor with IO-Link

I30H014

Part Number

weproTec



- Adjustable switching distance
- Easy sensor configuration using the IO-Link interface
- Innovative ASIC circuit technology
- Integrated error display and error output
- Minimal mounting clearance thanks to wenglor weproTec

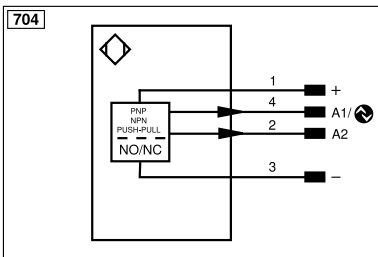
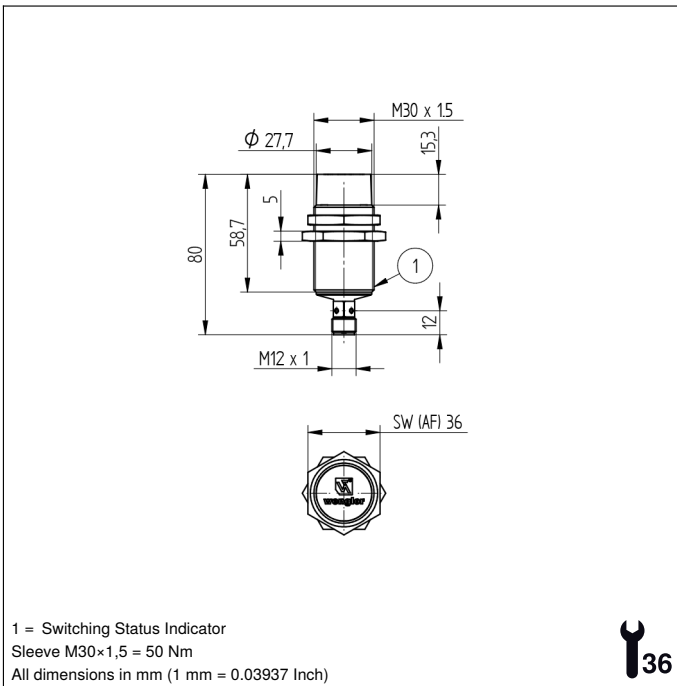
The Inductive Sensors have not only been equipped with ASIC, but rather with an IO-Link interface as well for ideal integration into networks. As a result, a total of three switching distances and two switching frequencies can be selected, and PNP/NPN as well as NO/NC/antivalent options can be set as desired. This reduces the number of variants while simultaneously expanding the scope of functions.

Technical Data

Inductive Data	
Switching Distance	35 mm
Standard Target	105 × 105 mm
Correction Factors Stainless Steel V2A/CuZn/Al	1,00/0,42/0,39
Mounting	non-flush
Mounting A/B/C/D in mm	55/82/105/35
Mounting B1 in mm	0...80
Switching Hysteresis	< 10 %
Electrical Data	
Supply Voltage	10...30 V DC
Supply Voltage with IO-Link	18...30 V DC
Current Consumption (U _b = 24 V)	< 15 mA
Switching Frequency	330 Hz
Temperature Drift	< 10 %
Temperature Range	-40...80 °C
Switching Output Voltage Drop	< 1 V
Switching Output/Switching Current	150 mA
Residual Current Switching Output	< 100 µA
Short Circuit Protection	yes
Reverse Polarity and Overload Protection	yes
Interface	IO-Link V1.1
Protection Class	III
Mechanical Data	
Housing Material	CuZn, nickel-plated
Degree of Protection	IP67
Connection	M12 × 1; 4-pin
Safety-relevant Data	
MTTFd (EN ISO 13849-1)	3706,54 a
Function	
Error Indicator	yes
Programmable switching distance	20/30/35 mm
Programmable switching frequency	yes
IO-Link	●
Programmable error output	●
PNP NO	●
Connection Diagram No.	704
Suitable Connection Equipment No.	2
Suitable Mounting Technology No.	130

Complementary Products

IO-Link Master
Software



Legend					
+	Supply Voltage +	nc	Not connected	ENBR5422	Encoder B/B̄ (TTL)
-	Supply Voltage 0 V	U	Test Input	ENA	Encoder A
~	Supply Voltage (AC Voltage)	Ū	Test Input inverted	ENB	Encoder B
A	Switching Output (NO)	W	Trigger Input	AMIN	Digital output MIN
Ā	Switching Output (NC)	W-	Ground for the Trigger Input	AMAX	Digital output MAX
V	Contamination/Error Output (NO)	O	Analog Output	AOK	Digital output OK
V̄	Contamination/Error Output (NC)	O-	Ground for the Analog Output	SY In	Synchronization In
E	Input (analog or digital)	BZ	Block Discharge	SY OUT	Synchronization OUT
T	Teach Input	Amv	Valve Output	OLT	Brightness output
Z	Time Delay (activation)	a	Valve Control Output +	M	Maintenance
S	Shielding	b	Valve Control Output 0 V	rsv	Reserved
RxD	Interface Receive Path	SY	Synchronization	Wire Colors according to DIN IEC 60757	
TxD	Interface Send Path	SY-	Ground for the Synchronization	BK	Black
RDY	Ready	E+	Receiver-Line	BN	Brown
GND	Ground	S+	Emitter-Line	RD	Red
CL	Clock	±	Grounding	OG	Orange
E/A	Output/Input programmable	SnR	Switching Distance Reduction	YE	Yellow
⊕	IO-Link	Rx+/-	Ethernet Receive Path	GN	Green
PoE	Power over Ethernet	Tx+/-	Ethernet Send Path	BU	Blue
IN	Safety Input	Bus	Interfaces-Bus A(+)/B(-)	VT	Violet
OSSD	Safety Output	La	Emitted Light disengageable	GY	Grey
Signal	Signal Output	Mag	Magnet activation	WH	White
BI_D+/-	Ethernet Gigabit bidirect. data line (A-D)	RES	Input confirmation	PK	Pink
ENo RS422	Encoder 0-pulse 0/0̄ (TTL)	EDM	Contactor Monitoring	GNYE	Green/Yellow
PT	Platinum measuring resistor	ENAR5422	Encoder A/Ā (TTL)		

Mounting

