

1D/2D Handheld Scanner

CSMH009

Part Number



- Decoding of DPM codes (e.g. needle-punched, etched or embossed codes)
- Direct feedback after decoding (vibration, visual/acoustic signal)
- Quick alignment and capture of 1D/2D codes
- Resistant to cleaning agents

These wenglor handheld scanners are suitable for mobile use with needle punched, printed, laser printed and etched 1D and 2D barcodes on a wide variety of different materials. Good scanning results are even obtained with poor code quality. Readable code types: DataMatrix, DataMatrix rectangle extension, QR codes, micro QR codes, QR model 1, Aztec code, PDF417, composite, Grid Matrix, Maxicode, micro PDF417, PDF417, code 11, code 32, code 39, code 49, code 128, interleaved 2 of 5, Telepen, MSI Plessey, Plessey, Pharmacode, UPC/EAN/JAN, Codabar, Codablock F, GS1 Databar, GS1 composite, Planet, Code93, BC412, Postal Codes.



Technical Data

Optical Data

Read Range	5...265 mm
Resolution	1280 × 960 Pixel
Light Source	Red Light
Max. Ambient Light	97000 Lux
Barcode Printing Contrast	> 15 %

Electrical Data

Supply Voltage	5 V DC
Current Consumption (Ub = 5V)	< 350 mA
Temperature Range	-20...55 °C
Interface	USB
Acoustic signal	yes
Vibration signal	yes
Visual signal	yes

Mechanical Data

Housing Material	Plastic
Weight	125 g
Degree of Protection	IP54
Connection	Prewired
Cable Length	180 cm
Shock Resistance	> 50 *
Halogen-free	yes
DPM codes	yes

USB Interface

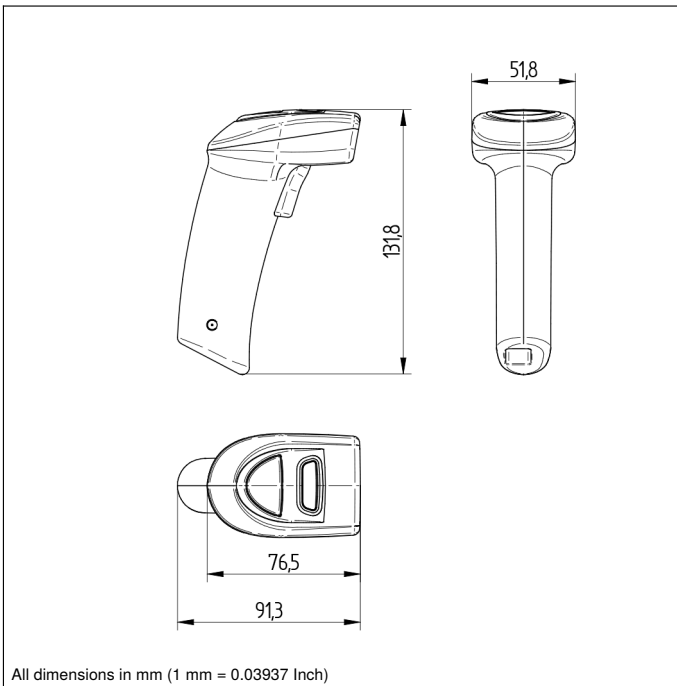
431

Suitable Mounting Technology No.

* Falls from 1.8 m height onto concrete

Complementary Products

Interface Cable ZDNV001
Interface Cable ZDNV002
Software



All dimensions in mm (1 mm = 0.03937 Inch)

Min. Resolution		Read Range 1D	Read Range 2D
1D	2D		
	0,107 mm		25 to 60 mm
	0,127 mm		20 to 70 mm
0,19 mm	0,16 mm	24 to 170 mm	12 to 92 mm
0,267 mm	0,254 mm	5 to 155 mm	5 to 150 mm
0,33 mm	0,528 mm	17 to 245 mm	10 to 265 mm

