

1D/2D Handheld Scanner

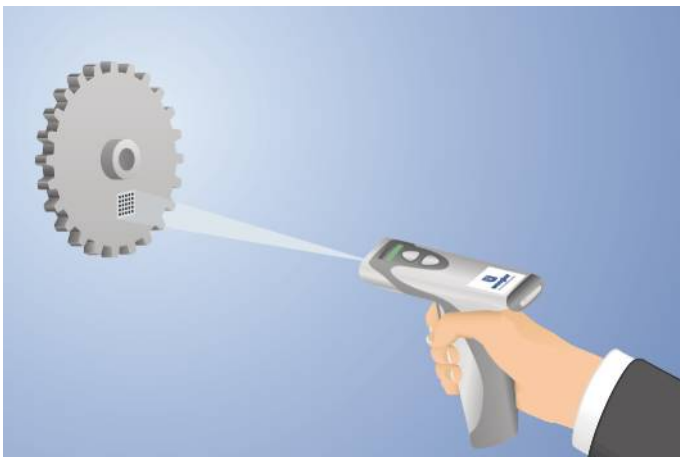
CSLH003

Part Number



- Decoding of DPM codes (e.g. needle-punched, etched or embossed codes)
- Direct feedback after decoding (vibration, visual/acoustic signal)
- Resistant to cleaning agents
- Wireless data transmission

These wenglor handheld scanners are suitable for mobile use with needle punched, printed, laser printed and etched 1D and 2D barcodes on a wide variety of different materials. Good scanning results are even obtained with poor code quality. Readable code types: DataMatrix, DataMatrix rectangle extension, QR codes, micro QR codes, QR model 1, Aztec code, PDF417, composite, Grid Matrix, Maxicode, micro PDF417, PDF417, code 11, code 32, code 39, code 49, code 128, interleaved 2 of 5, Telepen, MSI Plessey, Plessey, Pharmacode, UPC/EAN/JAN, Codabar, Codablock F, GS1 Databar, GS1 composite, Planet, Code93, BC412, Postal Codes.



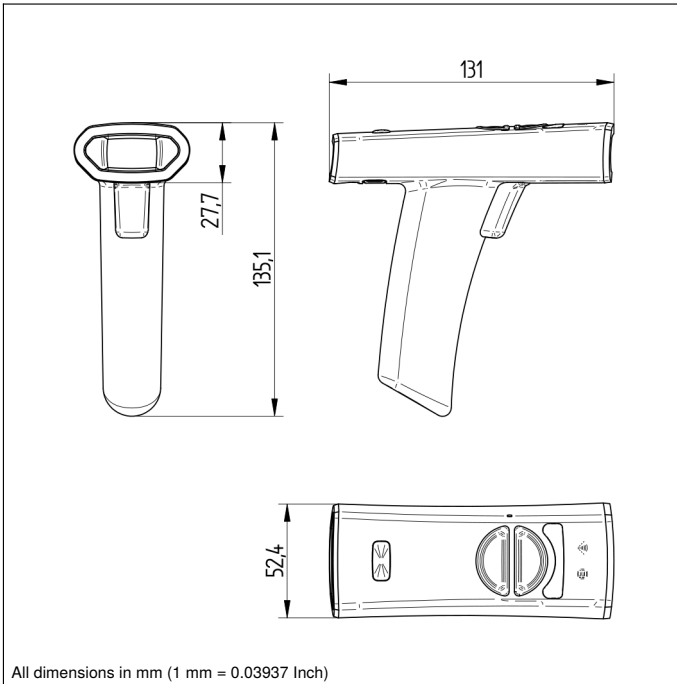
Technical Data

Optical Data	
Read Range	10...333 mm
Resolution	1280 × 960 Pixel
Light Source	Red Light
Wavelength	650 nm
Max. Ambient Light	97000 Lux
Electrical Data	
Supply Voltage	5 V DC
Current Consumption (Ub = 5V)	< 250 mA
Battery operating hours per charge	50000 scans
Temperature Range	-20...55 °C
Interface	Bluetooth (Class II)
Acoustic signal	yes
Vibration signal	yes
Visual signal	yes
Mechanical Data	
Housing Material	Plastic
Weight	177 g
Degree of Protection	IP65
Shock Resistance	> 50 *
Halogen-free	yes
DPM codes	yes
Bluetooth Interface	●
USB Interface	●

* Falls from 1.8 m height onto concrete

Complementary Products

Software DNNF018



Min. Resolution		Read Range 1D	Read Range 2D
1D	2D		
0,076 mm	0,127 mm	90 to 112 mm	33 to 105 mm
0,190 mm	0,160 mm	23 to 172 mm	23 to 140 mm
0,267 mm	0,254 mm	10 to 210 mm	10 to 170 mm
0,330 mm	0,528 mm	18 to 270 mm	18 to 333 mm

