

1D/2D Code Scanner

C5KC002

Part Number



- Auto-button function
- Integrated code reconstruction
- Integrated LED illumination
- Web link

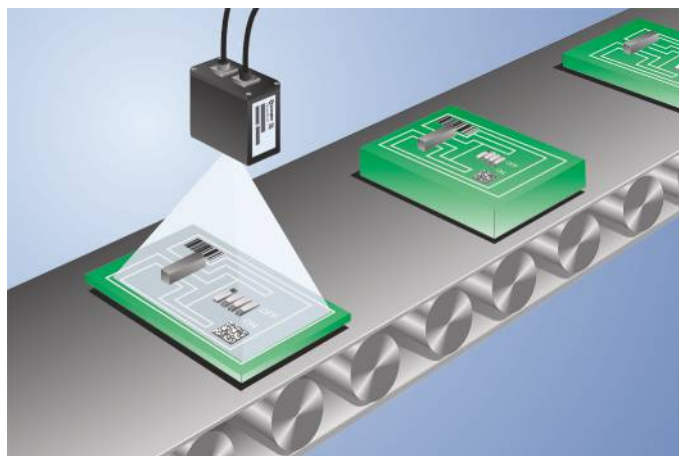
These 2D code scanners are suitable for omnidirectional scanning of 1D and 2D codes.

The following code types can be processed:

1D codes: Code39, Code93, Code128, UPC/EAN, BC412, Interleaved 2 of 5, Codabar, Postal Codes, Pharmacode

2D codes: DataMatrix ECC 0...200, PDF417, Micro PDF417, QR-Code, Micro QR-Code, Aztec Code, GS1 Databar, Dot code

Additional code types upon request.



Technical Data

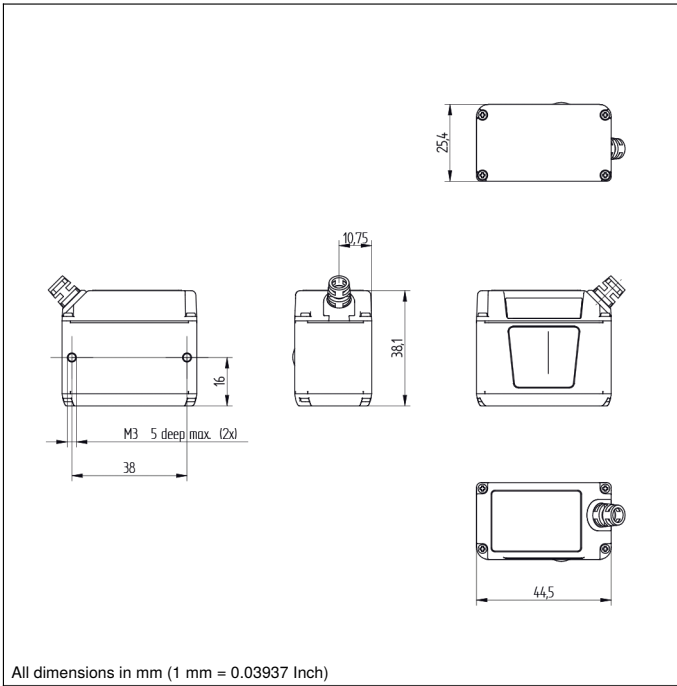
Optical Data	
Barcode Density	High density
Resolution	1280 × 960 Pixel
Light Source	Red Light
Wavelength	617 nm
Service Life (T = +25 °C)	50000 h
Electrical Data	
Supply Voltage	5 V DC
Current Consumption (U _b = 24 V)	600 mA
Scan Rate	10 scans/sec
Temperature Range	0...40 °C
Switching Output	TTL
Number of Switching Outputs	3
Switching Output/Switching Current	< 100 mA
Reverse Polarity Protection	yes
Interface	USB/RS-232
Trigger Input	Optoisolator
Signal Input	Optoisolator
Number of Signal Inputs	3
Mechanical Data	
Housing Material	Aluminum
Optic Cover	Plastic, PMMA
Weight	108 g
Degree of Protection	IP54
Connection	SubD 15-pin
Connection Table No.	58
Control Panel No.	A24
Suitable Connection Equipment No.	74
Suitable Mounting Technology No.	430

Complementary Products

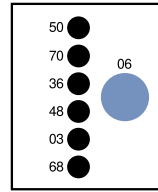
Connection Box AB-0003-1
Interface cable ZDNL007
Path-Folding Mirror ZNNG028
Protective Housing ZSV-0x-01
Software
ZNNG029 Replacement disc
ZNNG030 Optical diffuser
ZNNG031 Polarization filter

Ctrl. Panel

A24



All dimensions in mm (1 mm = 0.03937 Inch)



- 03 = Error Indicator
- 06 = Teach Button
- 36 = Mode Indicator
- 48 = Network Status
- 50 = Good Read
- 68 = supply voltage indicator
- 70 = Run/Trigger

Object Distance	Max.Field of View	Min.Resolution	Read Range	
			1D	2D
50	36,5 × 27,4 mm			
64	46,0 × 34,5 mm	0,050 mm	45...62 mm	—
81	57,2 × 42,9 mm	0,084 mm	45...107 mm	45...56 mm
102	71,4 × 53,6 mm	0,127 mm	45...165 mm	45...88 mm
133	90,5 × 67,9 mm	0,190 mm	45...252 mm	45...135 mm
190	127,0 × 95,3 mm	0,254 mm	45...300 mm	45...182 mm
300	198,4 × 148,8 mm	0,381 mm	45...300 mm	45...280 mm

