

# Barcode Line Scanner

CCD Array

## BLN0L1R20

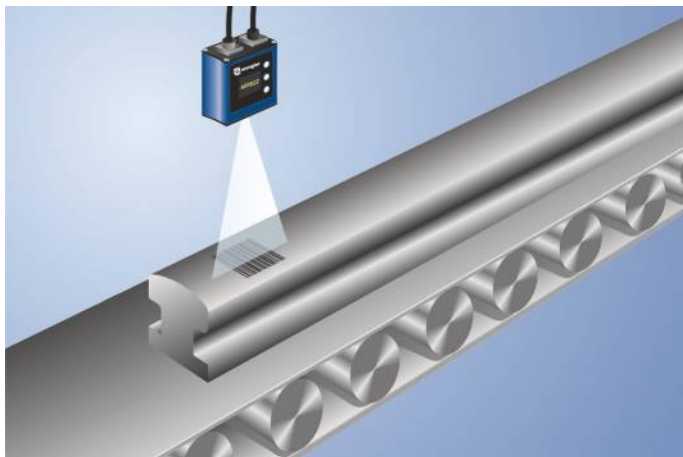
Part Number

Ethernet



- Compact housing
- Ethernet TCP/IP
- LED display indicates "good read"
- Red light
- Web server and graphic display for simple operation

This scanner is particularly suitable for detecting 1D codes printed or lasered on glossy materials. It works reliably even with small contrast differences and poor code quality. Readable code types: Code39, Full-ASCII-Code39, Interleaved 2 of 5, China Postal Code, Codabar, Code32, MSI Plessey Code, Code11, Industrial 2 of 5, Matrix 2 of 5, Telepen Code, UK Plessey Code, IATA Code, Code93, EAN13, EAN8, UPC-A, UPC-E, Code128, UCC/EAN-128, RSS-14, RSS-Limited



### Technical Data

Optical Data	
Barcode Density	Long range
Read Range	30...520 mm
Resolution	0,101 mm
Light Source	Red Light
Wavelength	625 nm
Service Life (T = +25 °C)	100000 h
Max. Ambient Light	70000 Lux
Opening Angle	40 °
Barcode Printing Contrast	> 30 %

Electrical Data	
Supply Voltage	18...30 V DC
Port Type	100BASE-TX
Current Consumption (U <sub>b</sub> = 24 V)	< 100 mA
Scan Rate	510 scans/sec
Temperature Range	-20...60 °C
Inputs/Outputs	4
Switching Output Voltage Drop	< 2,5 V
PNP Switching Output/Switching Current	100 mA
Short Circuit Protection	yes
Reverse Polarity Protection	yes
Overload Protection	yes
Network Possibilities	Ethernet
Interface	RS-232/Ethernet
Protection Class	III

Mechanical Data	
Housing Material	Aluminum
Optic Cover	Plastic, PMMA
Weight	130 g
Degree of Protection	IP67
Connection	M12 × 1; 8-pin
Type of Connection Ethernet	M12 × 1; 8-pin, X-cod.
Web server	yes

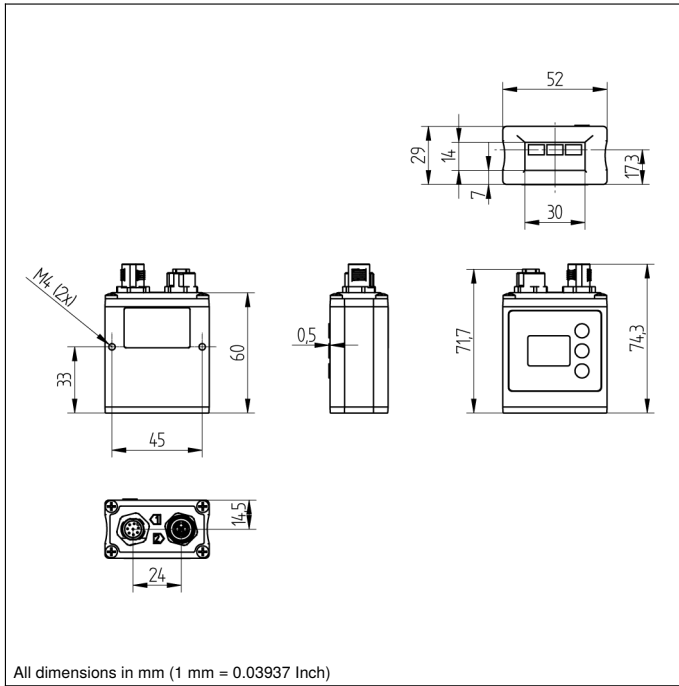
Configurable as PNP/NPN/Push-Pull	●
Switchable to NC/NO	●
Ethernet	●
RS-232 Interface	●

Connection Diagram No.	002   786
Control Panel No.	X2
Suitable Connection Equipment No.	50   89
Suitable Mounting Technology No.	560

Display brightness may decrease with age. This does not result in any impairment of the sensor function.

### Complementary Products

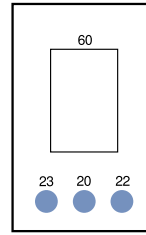
Fieldbus Gateway ZAGxxxN01, EPGG001  
Protective Housing ZNNS001, ZNNS002



All dimensions in mm (1 mm = 0.03937 Inch)

### Ctrl. Panel

X2



20 = Enter key  
 22 = Up key  
 23 = Down key  
 60 = display

Min. Resolution	Scanning Range	
0,076 mm	—	Code 39 (4 digits)
0,101 mm	60...130 mm	Code 39 (4 digits)
0,127 mm	55...170 mm	Code 39 (4 digits)
0,254 mm	30...350 mm	Code 39 (4 digits)
0,381 mm	45...520 mm	Code 39 (4 digits)
0,330 mm	40...390 mm	UPC/EAN (13 digits)
Scanning field width	200 mm	Code39 (0,330 mm)

