

Technical data sheet

Power supply · regulated, 72 W

Primary switchmode power supply, Single-phase
Input: wide-range input AC 85–264 V, DC 120–375 V
Output: DC 24 V, adjustable



Identification

Type DRS3-24A
Part No. [722705](#)

Product version

Datasheet version 00

Input

Number of phases 1
Rated voltage U_N AC 100–240 V
Operation voltage range AC 85–264 V / DC 120–375 V
Frequency range 47 Hz – 63 Hz
Rated current I_N 1.45 A @ AC 115 V / 750 mA @ AC 230 V
Inrush current 30 A @ AC 115 V / 60 A @ AC 230 V
Internal fuse T3.15A / AC 250 V
External protection Mini-circuit breaker: C 6 A

Output

Output voltage/current DC 24 V/3 A
Rated voltage U_N DC 24 V
Rated current I_N 3 A
Power Dissipation 10.5 W @ AC 230 V
Setting range $U_{out\ min.}/U_{out\ max.}$ 22.5–28.5 V
Accuracy $\pm 1\%$
Load regulation $\pm 1\%$
Line regulation $\pm 1\%$

United Kingdom: LÜTZE Ltd.

Unit 3, Sandy Hill Park
Sandy Way, Amington • GB-Tamworth, Staffs B77 4DU
Tel. +44 (0)1827 31333-0 • Fax +44 (0)1827 31333-2
www.lutze.com • sales.gb@lutze.co.uk

Germany: Friedrich Lütze GmbH

Postfach 12 24 (PLZ 71366) • Bruckwiesenstraße 17-19 • D-71384 Weinstadt
Tel. +49 (0)7151 6053-0 • Fax +49 (0)7151 6053-277(-288)
www.luetze.de • info@luetze.de

04.11.2022 • Subject to technical modification

Part No. [722705](#) • Datasheet version: 00

page 1 of 4



SYSTEMATIC TECHNOLOGY

Technical data sheet

Power supply · regulated, 72 W

Rise time	150 ms
Temperature coefficient	±0.03 % / °C
Ripple and noise	100 mV
Hold up time	15 ms @ 115 V / 50 ms @ 230 V
Efficiency	89 %
Over voltage protection	DC 28.8–32.4 V
Rated over load protection	140 %
Short circuit	Hiccup Mode

Status indication

Status indication DC ON LED green	DC 19.2–21.6 V
-----------------------------------	----------------

General

Switching frequency	40 – 100 kHz
Insulation voltage input / output	AC 3 kV / DC 4.2 kV
Insulation voltage input / ground	AC 1.5 kV / DC 2.1 kV
Insulation voltage output / ground	AC 500 V / DC 710 V
Insulation resistance at DC 500 V	100 MΩ
Derating	2.5 %/°C starting 51 °C
Cooling	Air convection, 25 mm clearance all-round
Housing material	Plastic
Mounting	DIN rail mountable TS35 (EN 60715)
Max. altitude operation	5000 m (EN 62368-1)
Installation position	Vertical
MTBF	580000 h
Degree of protection	IP20
Protection class	I
Weight/unit	0.25 kg
Connection type	Screw terminal 0.20 mm ² – 2.5 mm ² AWG 26 – AWG 12
Dimensions (w × h × d)	40.5 mm × 90.0 mm × 100.0 mm
PU (units)	1

General ambient conditions

Operation temperature range	-25 °C ... +71 °C (Derating)
Storage temperature range	-40 °C ... +85 °C
Over voltage category	II
Degree of pollution	2
Relative air humidity	20 – 95 % RH, not condensing

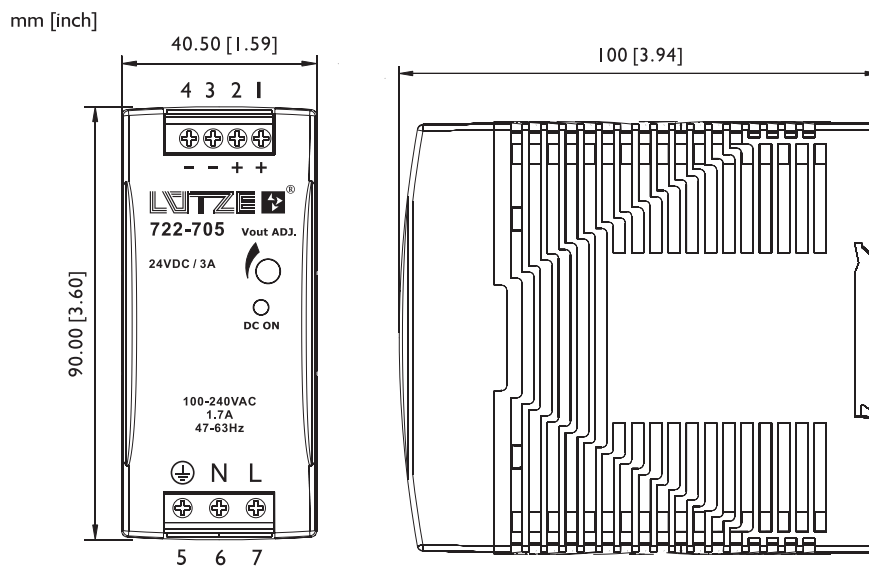
Technical data sheet

Power supply · regulated, 72 W

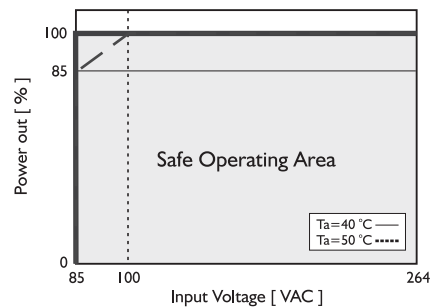
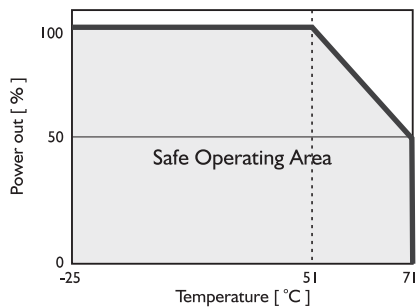
Certifications/Standards

Certifications	UL 508 Listed (E249179) UL 1310 Class 2 (E320708) UL 62368-1 CE UKCA
Standards	EN 62368-1 EN 61000-6-3 EN 55032 Class B EN 61000-3-2 EN 61000-3-3 EN 61000-6-2 EN 55024 EN 61000-4-2 Level 4 EN 61000-4-3 Level 3 EN 61000-4-4 Level 4 EN 61000-4-5 L-N Level 3 L/N-FG Level 4 EN 61000-4-6 Level 3 EN 61000-4-8 Level 4 EN 61000-4-11 ENV 50204 Level 2 EN 61204-3

Dimensions



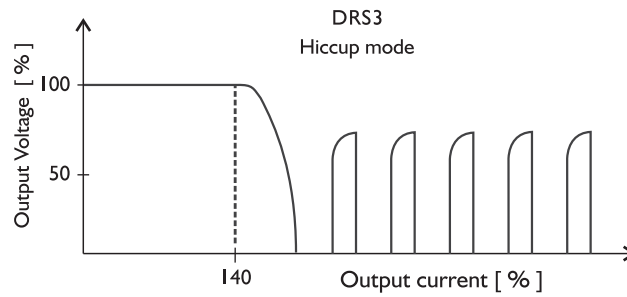
Derating



Technical data sheet

Power supply · regulated, 72 W

Short circuit characteristics



Pin assignment

PIN NO.	Designation	Description	
1, 2	OUT	V +	Positive output terminal
3, 4		V -	Negative output terminal
5	IN	⊕	Ground this terminal to minimize high-frequency emissions
6		N	Input terminals (neutral conductor, no polarity at DC input)
7		L	Input terminals (phase conductor, no polarity at DC input)
	OTHER	Vout ADJ.	Trimmer-potentiometer for Vout adjustment
		DC ON	Operation indicator LED

Circuit diagram

