

Technical data sheet

Power supply · regulated, 66 W

Switchmode power supply, Single-phase

Input: wide-range input AC 85–264 V, DC 120–375 V

Output: DC 12 V, adjustable



Identification

Type DRS3-12A
Part No. [722703](#)

Product version

Datasheet version 00

Input

Number of phases 1
Rated voltage U_N AC 100–240 V
Operation voltage range AC 85–264 V / DC 120–375 V
Frequency range 47 Hz – 63 Hz
Rated current I_N 1.45 A @ AC 115 V / 750 mA @ AC 230 V
Inrush current 30 A @ AC 115 V / 60 A @ AC 230 V
Internal fuse T3.15A / AC 250 V
External protection Mini-circuit breaker: C 6 A

Output

Output voltage/current DC 12 V/5.5 A
Rated voltage U_N DC 12 V
Rated current I_N 5.5 A
Power Dissipation 10.5 W @ AC 230 V
Setting range $U_{out\ min.}/U_{out\ max.}$ 11.4–15.6 V
Accuracy $\pm 1\%$
Load regulation $\pm 1\%$
Line regulation $\pm 1\%$
Rise time 150 ms
Temperature coefficient $\pm 0.03\% / ^\circ\text{C}$
Ripple and noise 100 mV
Hold up time 15 ms @ 115 V / 50 ms @ 230 V

USA: LUTZE INC.

13330 South Ridge Drive • Charlotte, NC 28273, USA
Tel. +1 (704) 504-0222 • Fax +1 (704) 504-0223
www.lutze.com • info@lutze.com

04.11.2022 • Subject to technical modification

Part No. [722703](#) • Datasheet version: 00

page 1 of 4



SYSTEMATIC TECHNOLOGY

Technical data sheet

Power supply · regulated, 66 W

Efficiency	88 %
Over voltage protection	DC 16.2–18 V
Rated over load protection	140 %
Short circuit	Hiccup Mode

Status indication

Status indication DC ON LED green	DC 9.6–10.8 V
-----------------------------------	---------------

General

Switching frequency	40 – 100 kHz
Insulation voltage input / output	AC 3 kV / DC 4.2 kV
Insulation voltage input / ground	AC 1.5 kV / DC 2.1 kV
Insulation voltage output / ground	AC 500 V / DC 710 V
Insulation resistance at DC 500 V	100 MΩ
Derating	2.5 %/°C starting 51 °C
Cooling	Air convection, 25 mm clearance all-round
Housing material	Plastic
Mounting	DIN rail mountable TS35 (EN 60715)
Max. altitude operation	5000 m (EN 62368-1)
Installation position	Vertical
MTBF	556000 h
Degree of protection	IP20
Protection class	I
Weight/unit	0.41 kg
Connection type	Screw terminal 0.20 mm ² – 2.5 mm ² AWG 26 – AWG 12
Dimensions (w × h × d)	40.5 mm × 90.0 mm × 100.0 mm
PU (units)	1

General ambient conditions

Operation temperature range	-25 °C ... +71 °C (Derating)
Storage temperature range	-40 °C ... +85 °C
Over voltage category	II
Degree of pollution	2
Relative air humidity	20 – 95 % RH

Approvals/Standards

Approvals	UL 508 Listed (E249179) UL 62368-1 CE UKCA
-----------	---

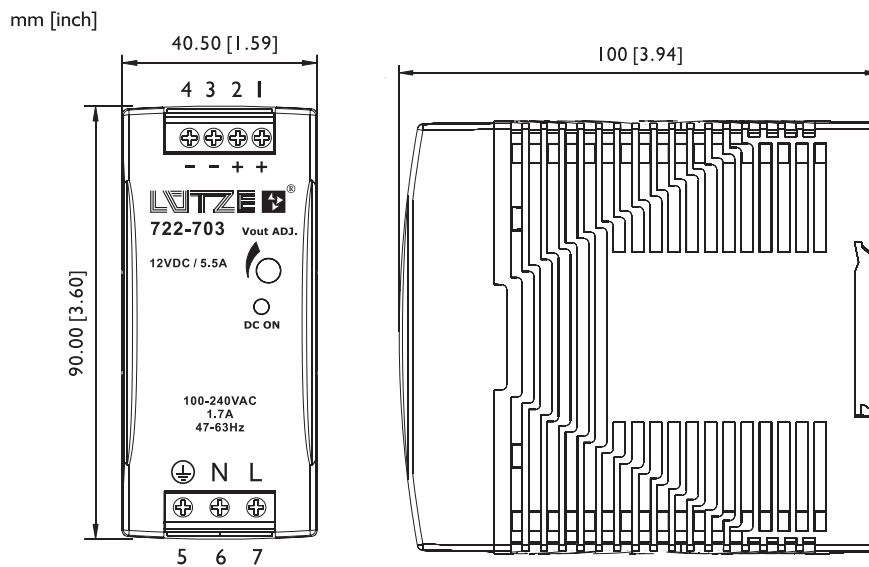
Technical data sheet

Power supply · regulated, 66 W

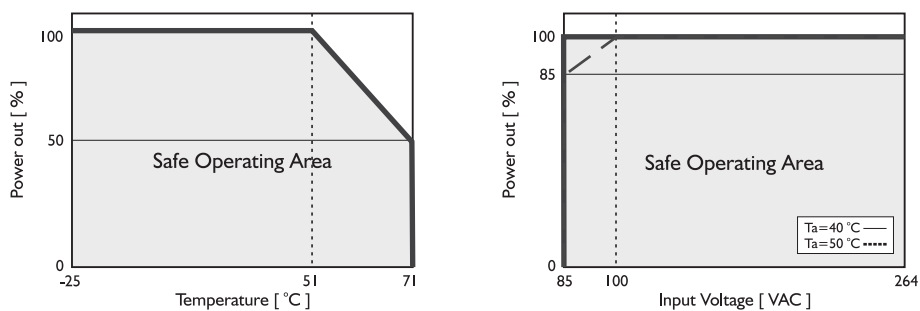
Standards

EN 62368-1
EN 61000-6-3
EN 55032 Class B
EN 61000-3-2
EN 61000-3-3
EN 61000-6-2
EN 55024
EN 61000-4-2 Level 4
EN 61000-4-3 Level 3
EN 61000-4-4 Level 4
EN 61000-4-5 L-N Level 3
L/N-FG Level 4
EN 61000-4-6 Level 3
EN 61000-4-8 Level 4
EN 61000-4-11 ENV 50204 Level 2
EN 61204-3

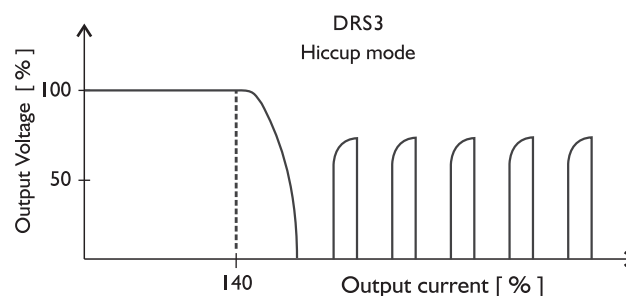
Dimensions



Derating



Short circuit characteristics



Technical data sheet

Power supply · regulated, 66 W

Pin assignment

PIN NO.	Designation	Description	
1, 2	OUT	V +	Positive output terminal
3, 4		V -	Negative output terminal
5	IN	⊕	Ground this terminal to minimize high-frequency emissions
6		N	Input terminals (neutral conductor, no polarity at DC input)
7		L	Input terminals (phase conductor, no polarity at DC input)
	OTHER	Vout ADJ.	Trimmer-potentiometer for Vout adjustment
		DC ON	Operation indicator LED

Circuit diagram

