

Technical data sheet

Interface Technology · LCIS Relay Module

DC-Relay-Interface, 4 CO contact / 4PDT, pluggable

AC / DC 250 V, 6 A, 1500 VA

Push-In, Contact material: AgNi



Identification

Type LCIS3-RSI24DC-PI-4U
Part No. [770063](#)

Product version

Datasheet version 00

Input

Rated voltage U_N DC 24 V
Input voltage range 19.2 V – 26.4 V
Rated current I_N 0.039 A
Protection device Input Free-wheeling diode
Status display input LED green
Power consumption 0.9 W
Interrupting voltage <2.4 V

Output

Contact type 4 changeover contacts / 4PDT
Min. switching voltage AC/DC 5 V
Max. switching voltage AC/DC 250 V
Min. switching current AC/DC 5 mA
Max. switching current AC/DC 6 A
Switching capacity DC 13 1.8 A @ 24 V, 220 mA @ 120 V, 100 mA @ 250 V
Switching capacity AC 15 1.5 A @ 120 V, 0.75 A @ 250 V
Max. switching capacity 1500 VA
Contact material AgNi

United Kingdom: LÜTZE Ltd.

Unit 3, Sandy Hill Park
Sandy Way, Amington • GB-Tamworth, Staffs B77 4DU
Tel. +44 (0)1827 31333-0 • Fax +44 (0)1827 31333-2
www.lutze.com • sales.gb@lutze.co.uk

Germany: Friedrich Lütze GmbH

Postfach 12 24 (PLZ 71366) • Bruckwiesenstraße 17-19 • D-71384 Weinstadt
Tel. +49 (0)7151 6053-0 • Fax +49 (0)7151 6053-277(-288)
www.luetze.de • info@luetze.de

21.11.2023 • Subject to technical modification

Part No. [770063](#) • Datasheet version: 00

page 1 of 3



SYSTEMATIC TECHNOLOGY

Technical data sheet

Interface Technology · LCIS Relay Module

Mechanical service life	> 2 x 10 ⁷ operations
Switch-on delay	13 ms
Shutdown delay	3 ms
Protection device	None
Rated insulation voltage (EN 606641- AC 250 V 1)	
Degree of protection	IP20

General

Housing material	PA 6.6
Color of the housing	light grey
Degree of protection	IP20
Mounting	DIN rail mountable TS35 (EN 60715)
Insulation voltage input / output	1.5 kV _{eff}
Safe isolation	yes
Clearance/creepage dist. (control/ load side)	Air clearance: >1.6 mm, creepage clearance: >3.2 mm
Connection type	Push-In 2 × (0.20 mm ² – 1.5 mm ²)
Dimensions (w × h × d)	31.0 mm × 97.0 mm × 75.8 mm (including mounting bracket)
Weight/unit	0.117 kg
PU (units)	5

General ambient conditions

Operation temperature range	-40 °C ... +70 °C
Storage temperature range	-40 °C ... +85 °C

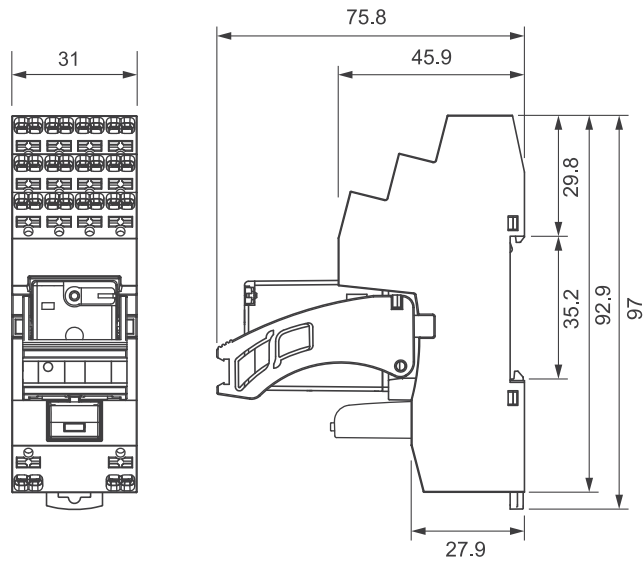
Certifications/Standards

Certifications	cURus
----------------	-------

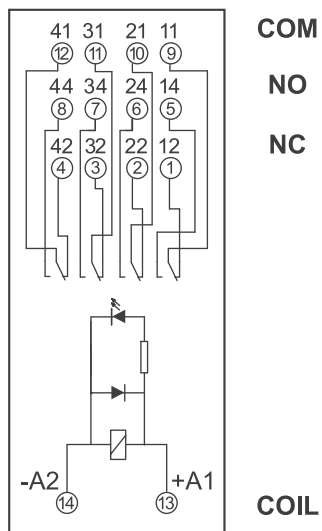
Technical data sheet

Interface Technology · LCIS Relay Module

Dimensions



Circuit diagram



DC version