

# ZXL Series

Medium Duty Limit Switches



- High reliability by 24K Gold plated contact of SPDT(1a+1b)
- Low maintenance by die-cast body & stainless steel of moving parts
- IP67 rated with built-in gasket in body cover & O-ring in moving part
- Detachable head can be positioned in any direction
- Available optional LED indicator cover (ZXL-102/103)

## Option Parts

24K Gold Plated Contact Block  
**ZXL-101**



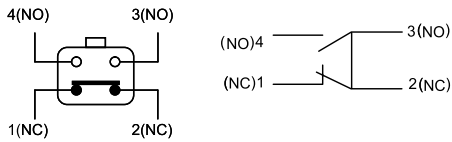
Indicator Lamp

**ZXL-102**  
LED 12 ~ 24V AC/DC  
**ZXL-103**  
Neon 110/240V AC



\*Changable ON status at NC or NO

## Contact Diagram



## Specifications

<b>Contac</b>	SPDT(1NO+1NC), 24K Ag Alloy	
<b>Protection</b>	IP67	
<b>Rated Current</b>	12 at 250VAC	
<b>Insulation Resistance</b>	100MΩ at 500V DC	
<b>Contact Resistance</b>	Max. 50mΩ	
<b>Operation Speed</b>	1mm/sec ~ 1m/sec	
<b>Vibration</b>	10~55Hz dual wave length 1.5mm	
<b>Ambient Temperature</b>	Operation: -25°C~+80°C, Storage: -30°C~+80°C	
<b>Ambient Humidity</b>	35~85%RH (at -5~+40°C)	
<b>Impact Resistance</b>	<b>Durability</b>	Max. 100G
	<b>Error</b>	Plunger max. 30G Lever Max. 20G
<b>Dielectric Strength</b>	2,200	
<b>Expected Life</b>	Electrical	Min. 500,000
	Mechanical	Min. 10,000,000

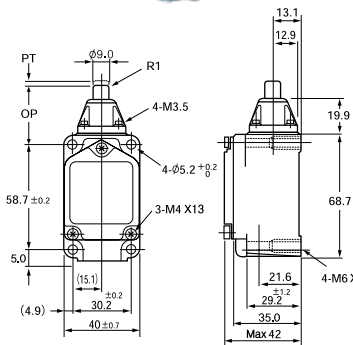
## Contact Rating

Rated Voltage	Non-Inductive Load		Inductive Load	
	Resistive Load	Lamp Load	Inductive Load	Motor Load
125VAC	16A	5A	16A	8A
250VAC	12A	3A	12A	5A
500VAC	10A	2.5A	10A	2.5A
30VDC	8A	6A	8A	6A
125VDC	1A	0.3A	1A	0.3A
250VDC	0.5A	0.2A	0.5A	0.2A

## Dimensions

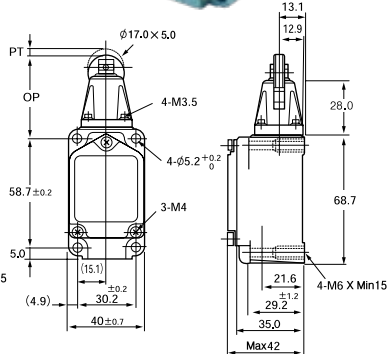
unit: mm

**ZXL-301**



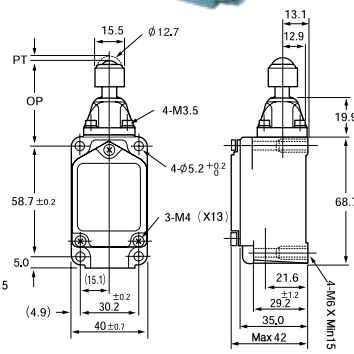
OF	2,720gf(26.67N)
RF	910gf(8.92N)
PT	1.7mm
OT	6.4mm
MD	1mm
TT	-
OP	34 ± 0.8mm
TTP	29.5mm

**ZXL-302**



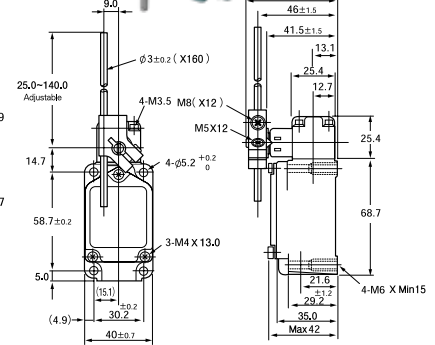
OF	2,720gf(26.67N)
RF	910gf(8.92N)
PT	1.7mm
OT	5.6mm
MD	1mm
TT	-
OP	44 ± 0.8mm
TTP	39.5mm

**ZXL-303**



OF	2,720gf(26.67N)
RF	910gf(8.92N)
PT	1.7mm
OT	4mm
MD	1mm
TT	-
OP	44.5 ± 0.8mm
TTP	41mm

**ZXL-704**



OF	142gf(1.4N)
RF	28gf(0.27N)
PT	15 ± 5°
OT	80°
MD	12°
TT	100°
OP	
TTP	



**ZXL-703**



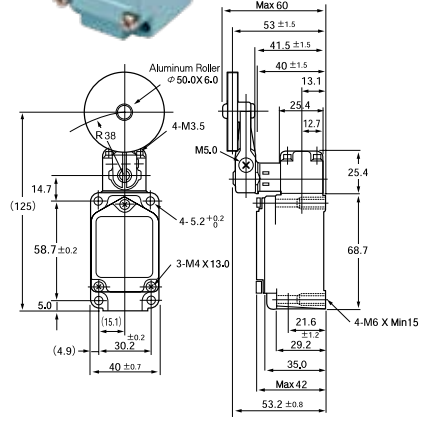
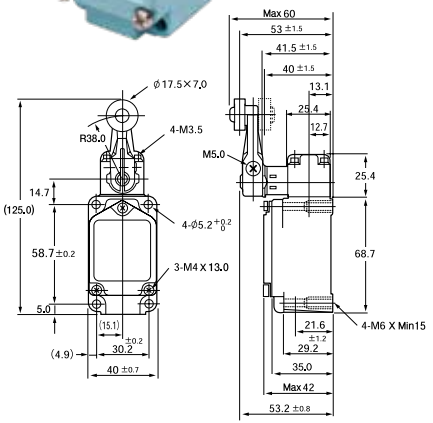
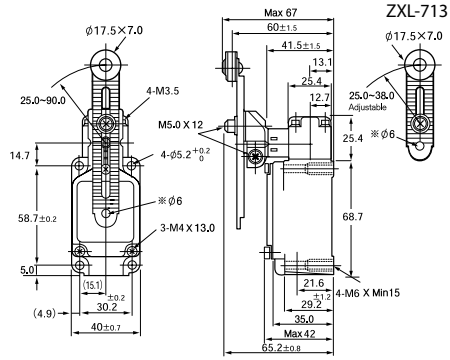
**ZXL-713**



**ZXL-702**



**ZXL-705**



OF	1,360gf(13.34N)
RF	227gf(2.23N)
PT	15 ± 5°    80 ± 5°(703M)
OT	80°
MD	12°
TT	100°

OF	1,360gf(13.34N)
RF	227gf(2.23N)
PT	15 ± 5°
OT	80°
MD	12°
TT	100°

OF	1,360gf(13.34N)
RF	227gf(2.23N)
PT	15 ± 5°
OT	80°
MD	12°
TT	100°



**ZXL-706**



**ZXL-726**



**ZXL-717**



**ZXL-727**



**ZXL-737**



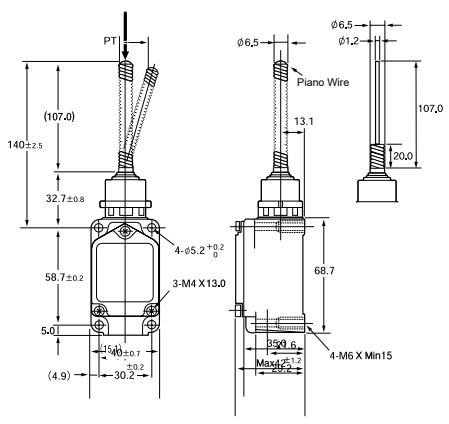
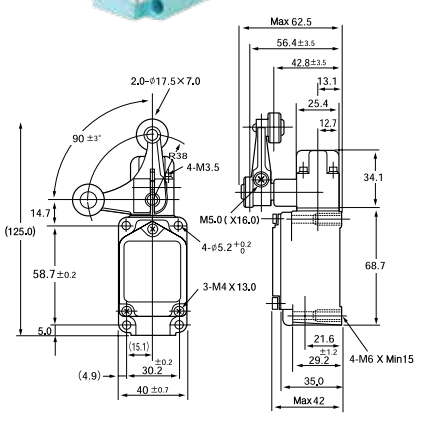
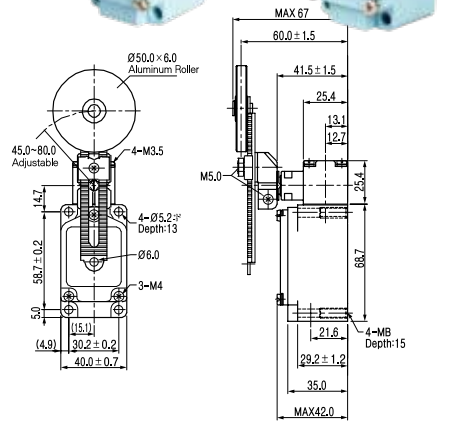
**ZXL-747**



**ZXL-901**



**ZXL-902**



OF	1,360gf(13.34N)
RF	227gf(2.23N)
PT	15 ± 5°
OT	80°
MD	12°
TT	100°

OF	1,200gf(11.8N)
RF	50 ± 5°
PT	15 ± 5°
OT	35°
MD	-
TT	-

OF	150gf(1.47N)
RF	-
PT	20 ± 10mm
OT	-
MD	-
TT	-