



# T Series

Metal Chassis Pushbuttons



## Ordering Information

T ① - ② ③ ④ ⑤ ⑥ ⑦

① Size	<b>16</b>	Ø16mm		
	<b>19</b>	Ø19mm		
	<b>22</b>	Ø22mm		
	<b>25</b>	Ø25mm		
	<b>30</b>	Ø30mm		
② Operation Type	<b>1</b>	Pilot Lamp	<b>2</b>	Momentary Push
	<b>3</b>	Maintained Push	<b>4*</b>	2 Position Selector
	<b>5*</b>	3 Position Selector	<b>6*</b>	2 Position Key Selector
	<b>7*</b>	3 Position Key Selector	<b>8*</b>	Emergency Stop
	<b>A*</b>	Emergency Stop	<b>CZ*</b>	Buzzer
	③ Illumination & Shape	<b>1</b>	Non-Illuminated Round	
<b>7</b>		Illuminated LED Round		
<b>CR</b>		Continuous		
④ Contact Form	<b>0</b>	No Contact		
	<b>1</b>	1N/O + 1N/C		
	<b>2</b>	2N/O + 2N/C		
⑤ Color	<b>R</b>	Red		
	<b>Y</b>	Yellow		
	<b>G</b>	Green		
	<b>B</b>	Blue		
	<b>W</b>	White		
⑥ Button Type		Flush Head		
	<b>H</b>	Extended Head**		
⑦ Voltage	<b>D4</b>	24VDC		
	<b>A2</b>	110/220VAC		

\*T19 Series Only  
\*\*T16 & T19 only, Non-Illuminated only

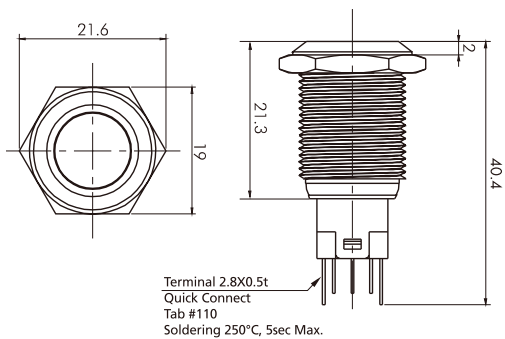
## Specifications

		T16, 19	T22, 25, 30	
General Specs.	Contact Resistance	Max. 50mΩ		
	Insulation Resistance	Min. 100MΩ at 500V DC		
	Dielectric Strength	2,000VAC for 1 Min.		
	Vibration Resistance	5~55Hz dual amplitude : 0.75mm		
	Shock resistance	Operation: 200m/s <sup>2</sup> , Endurance: 500m/s <sup>2</sup>		
	Life Cycles	Mechanical	Momentary: Min. 1,000,000 Maintained: Min. 250,000	
		Electrical	Momentary: Min. 100,000 Maintained: Min. 50,000	
	Frequency of On/Off	1,200 times/hr		
	Ambient Temperature	Operation: -25°C~ +55°C, Storage: -30°C~+80°C		
	Ambient Humidity	45~85%RH (at -5~+40°C)		
Degree of Protection	IP65			
Terminal soldering temperature	Material	20W 5Sec / 260°C 3Sec		
	Material	Body:SUS304, Operator:SUS316		
Contacts	Contact Arrangement	1N/O + 1N/C, 2N/O + 2N/C		
	Contact Material	Ag Alloy (24K Gold plate)		
	Rated Insulation Voltage	250VAC		
	Max. Switching Current	3A Max.	5A Max.	
	Max. Switching Voltage	250VAC, 110VDC		
LED Lamp	Rated Current	1A 24VDC / 120VAC	3A 24VDC/120VAC	
	Min. Applicable Load	0.5A 250VAC	1.5A 250VAC	
	Color	Red, Green, Yellow, Blue, White		
Buzzer	Operator Type	Round		
	Regular Voltage	24VDC, 110VAC, 220VAC		
	Rated Current	15mA Approx.		
	Expected Life	50,000hrs		
Buzzer	Sound Type	Continuous, ALternating Frequency		
	Volume	80dB		
	Rated Voltage	24VDC		
	Rated Current	Approx. 15mA		
	Life Cycles	1,000hours		

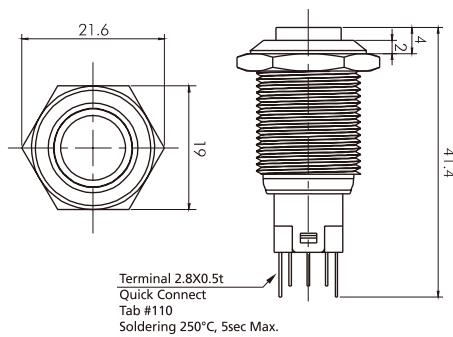
## Dimensions

Unit: mm

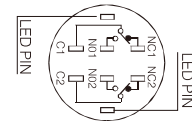
T16 Flush head pushbuttons



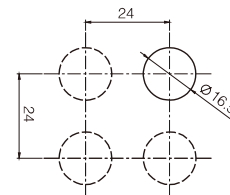
T16 Extended head pushbuttons



T16 Wiring Diagram



T16 Panel Cut-out



Tower Lights

Beacon Lights

LED Indicators Pilot Lamps

Buzzer Alarms

Pushbutton Switches

Limit Switches

Foot Switches

SSR

Relay & Sockets

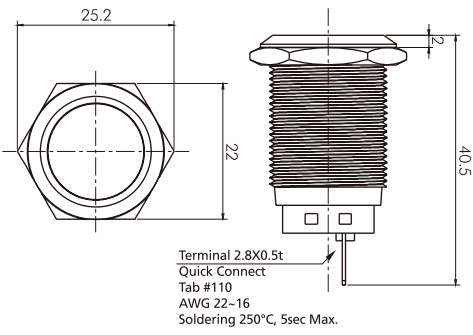
Relay Terminal Blocks

Terminal Blocks

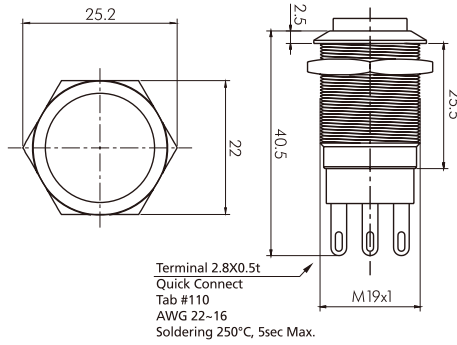
Fuse Holders

Enclosures

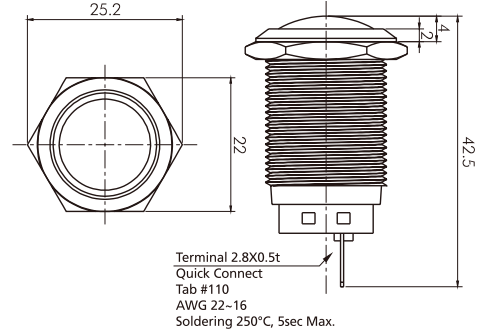
### T19 Flush head pushbuttons



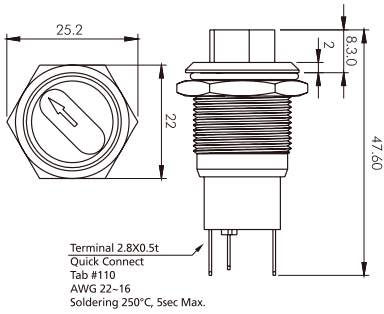
### T19 Extended head pushbuttons



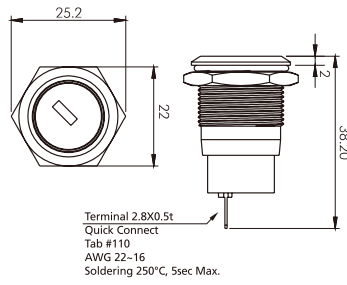
### T19 Dome head pushbuttons



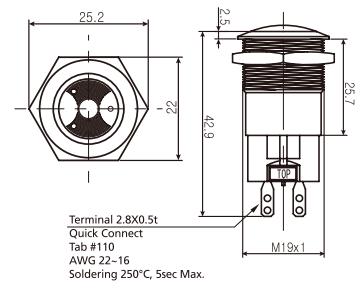
### T19 Selector Switches



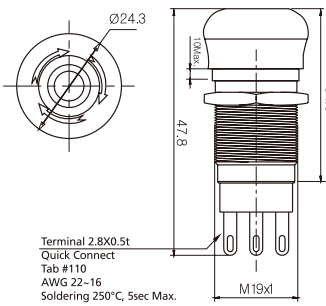
### T19 Key Switches



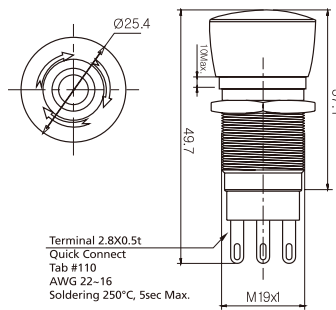
### T19 LED Illuminated Buzzer



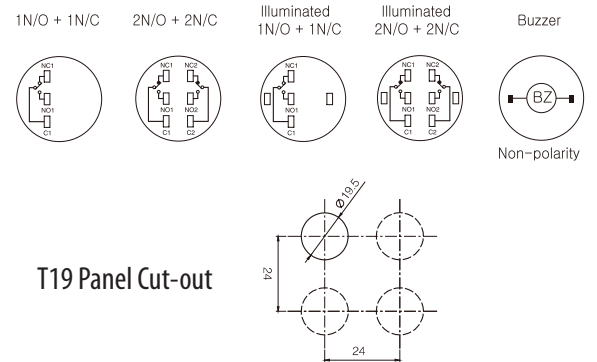
### T19 Emergency Switches (T19-8 Type)



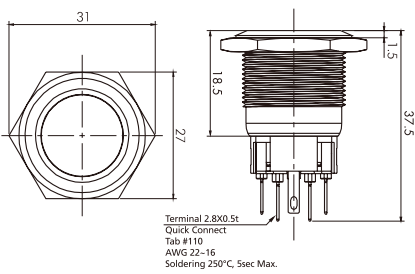
### T19 Emergency Switches (T19-A Type)



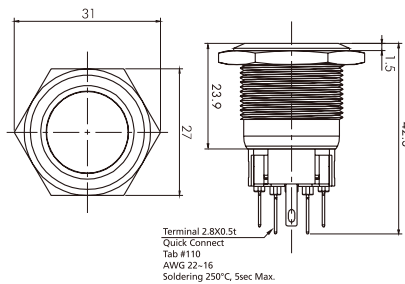
### T19 Wiring Diagram



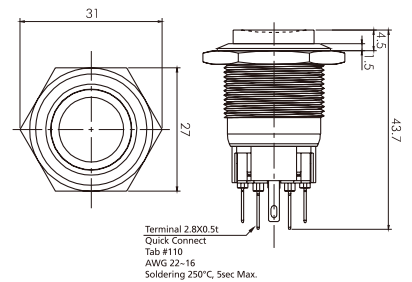
### T22 Non-Illuminated Momentary Flush head pushbuttons



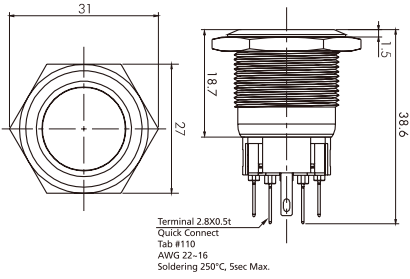
### T22 Non-Illuminated Maintained Flush head pushbuttons



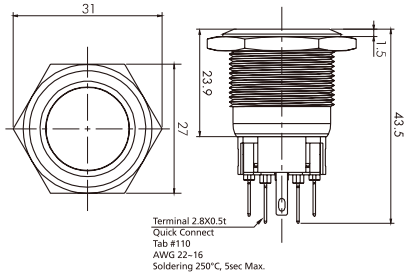
### T22 Non-Illuminated Extended head pushbuttons



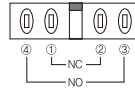
### T22 Illuminated Momentary Flush head pushbuttons



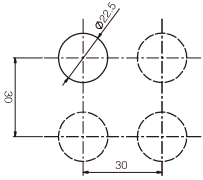
### T22 Illuminated Maintained Flush head pushbuttons



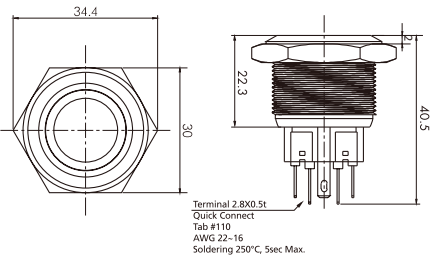
### T22 Wiring Diagram



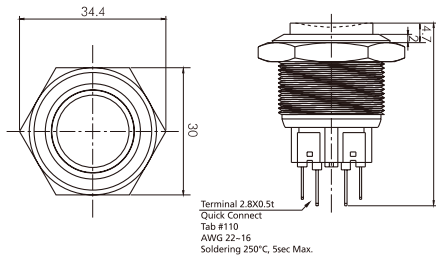
### T22 Panel Cut-out



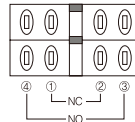
### T25 Flush head pushbuttons



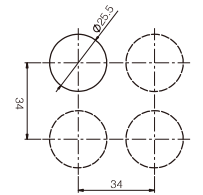
### T25 Extended head pushbuttons



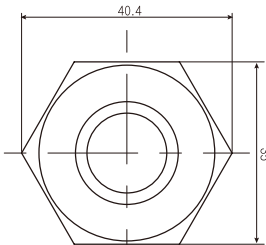
### T25 Wiring Diagram



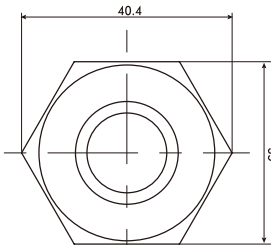
### T25 Panel Cut-out



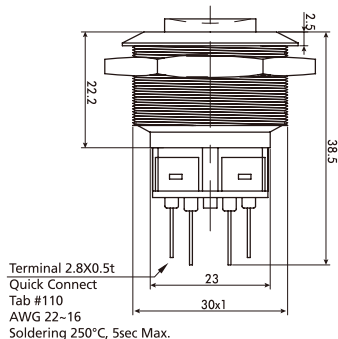
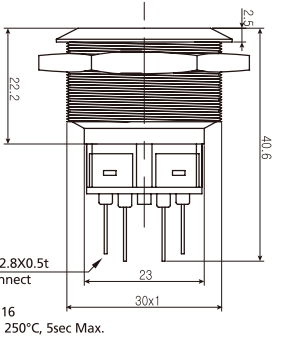
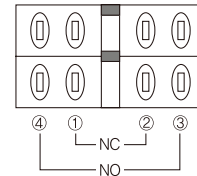
### T30 Flush head pushbuttons



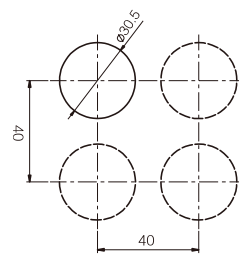
### T30 Extended head pushbuttons



### T30 Wiring Diagram



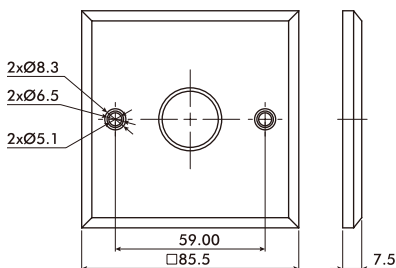
### T30 Panel Cut-out



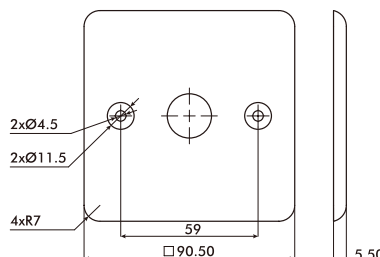
## Accessory: Fix Plate

Unit: mm

### T-P1 (T19, 22, 25, 30)



### T-P2 (T19)



### T-P3 (T16)

