

Non-Metallic Push Button & Switch Boxes

Part Numbers and Size

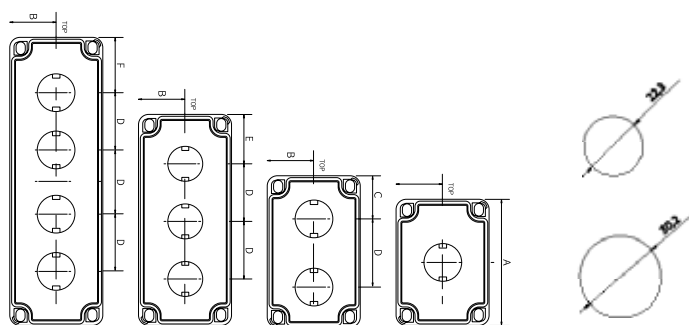


MODEL		SIZE (including cover)		φ	Hole
ABS	PC	W * L * H (unit : mm)	W * L * H (unit : inch)		
BC-AGS-2201	BC-CGS-2201	80x110x70	3.15x4.33x2.76	22	1
BC-AGS-2202	BC-CGS-2202	80x130x70	3.15x5.12x2.76	22	2
BC-AGS-2203	BC-CGS-2203	80x180x70	3.15x7.09x2.76	22	3
BC-AGS-2204	BC-CGS-2204	80x250x70	3.15x9.84x2.76	22	4
BC-AGS-3001	BC-CGS-3001	80x110x70	3.15x4.33x2.76	30	1
BC-AGS-3002	BC-CGS-3002	80x130x70	3.15x5.12x2.76	30	2
BC-AGS-3003	BC-CGS-3003	80x180x70	3.15x7.09x2.76	30	3
BC-AGS-3004	BC-CGS-3004	80x250x70	3.15x9.84x2.76	30	4



Dimensions

Cat. No.	Hole	A	B	C	D	E	F
BC- S-2201	1	55	40	-	-	-	-
BC- S-2202	2	-	40	40	50	-	-
BC- S-2203	3	-	40	-	50	40	-
BC- S-2204	4	-	40	-	50	-	50
BC- S-3001	1	55	40	40	-	-	-
BC- S-3002	2	-	40	40	50	-	-
BC- S-3003	3	-	40	-	50	40	-
BC- S-3004	4	-	40	-	50	-	50



Features

Protection level	IP66/67, IK07/08
Technical	Smooth sidewalls Standard or Quick turn screws Integrated cover retainer
Certifications	UL508 on Polycarbonate products
Color	Light gray
Temperature range	ABS: -40°C to 86°C (-40°F to 185°F) UL94-HB Non-Flammable Polycarbonate: -40°C to 120°C (-40°F to 248°F) UL94-V-0~5VA Non-Flammable

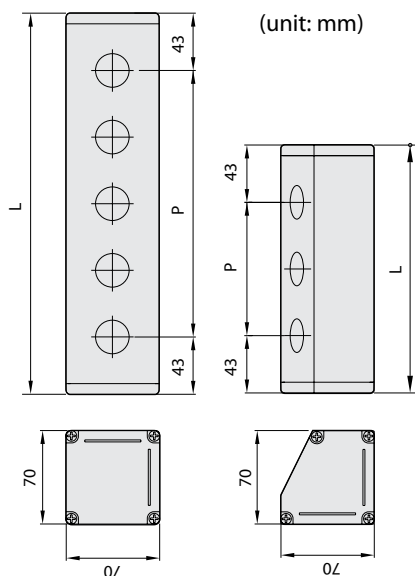
Aluminum Push Button & Switch Boxes

Ordering Information

MB70 S - 01

① ②

① Box Style	S	Square Side
	T	Triangular Side
② Number of Holes	01	1 Hole
	02	2 Holes
	03	3 Holes
	04	4 Holes
	05	5 Holes
	X	X Holes (optional)



Dimensions

	L	P
1 Holes	3.4 in (86mm)	-
2 Holes	5.4 in (136mm)	2 in (50mm)
3 Holes	7.3 in (186mm)	3.9 in (100mm)
4 Holes	9.3 in (236mm)	5.9 in (150mm)
5 Holes	11.3 in (286mm)	7.9 in (200mm)