

# Switch boxes

Non-Metallic



## Specifications

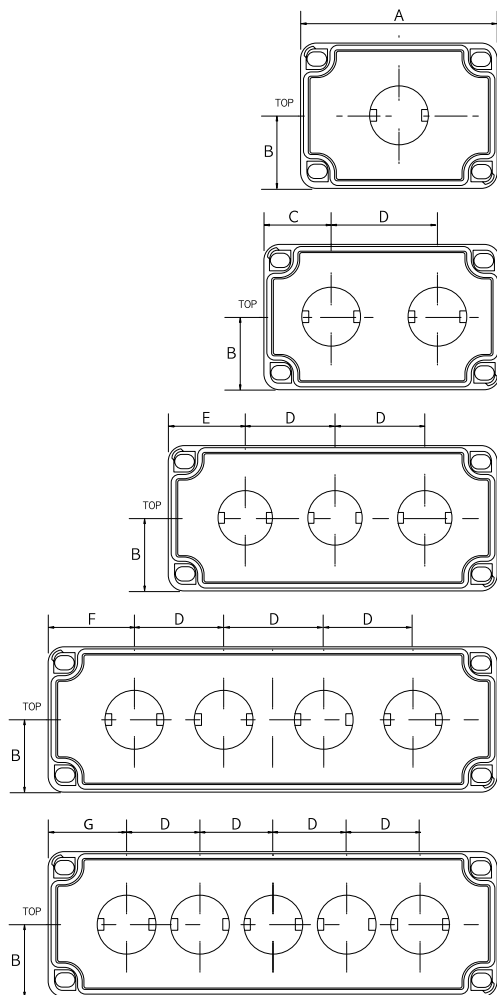
Protection Level	Water proof: IP66/67, Impact Test: IK07/08
Technical	Smooth sidewalls
	Standard or Quick turn screws
	Integrated cover retainer
Certification	UL508A (Polycarbonate models)
Color	Light gray
Temperature range	ABS: -40°C to 70°C (-40°F to 158°F)
	PC: -40°C to 110°C (-40°F to 230°F)
Flammability Rating	ABS: UL94-HB
	PC: UL94-V-0, 5VA, 94-HB

## Dimensions

Cat. No.	Hole	A	B	C	D	E	F	G
BC- S-2201	1	110	40	-	-	-	-	-
BC- S-2202	2	130	40	40	50	-	-	-
BC- S-2203	3	180	40	-	50	40	-	-
BC- S-2204	4	250	40	-	50	-	50	-
BC- S-2205	5	250	40	-	42	-	-	42
BC- S-3001	1	110	40	-	-	-	-	-
BC- S-3002	2	130	40	40	50	-	-	-
BC- S-3003	3	180	40	-	50	40	-	-
BC- S-3004	4	250	40	-	50	-	50	-

## Part Numbers and Size

MODEL		SIZE (including cover)		φ	Hole
ABS	PC	W * L * H (unit : mm)	W * L * H (unit : inch)		
BC-AGS-2201	BC-CGS-2201	80x110x70	3.15x4.33x2.76	22	1
BC-AGS-2202	BC-CGS-2202	80x130x70	3.15x5.12x2.76	22	2
BC-AGS-2203	BC-CGS-2203	80x180x70	3.15x7.09x2.76	22	3
BC-AGS-2204	BC-CGS-2204	80x250x70	3.15x9.84x2.76	22	4
BC-AGS-2205	BC-CGS-2205	80x250x70	3.15x9.84x2.76	22	5
BC-AGS-3001	BC-CGS-3001	80x110x70	3.15x4.33x2.76	30	1
BC-AGS-3002	BC-CGS-3002	80x130x70	3.15x5.12x2.76	30	2
BC-AGS-3003	BC-CGS-3003	80x180x70	3.15x7.09x2.76	30	3
BC-AGS-3004	BC-CGS-3004	80x250x70	3.15x9.84x2.76	30	4



### Panel hole

