



PY7 Series

D70mm LED Signal Tower Light

- Smooth surface of the lens minimize adhesion of dust & water
- Suitable for sanitary environment like food, pharmaceutical industries
- Low maintenance with replaceable durable polycarbonate outer lens
- Excellent visibility of LED light emitted from inner lens
- Variety of light styles and combinations



Ordering Information

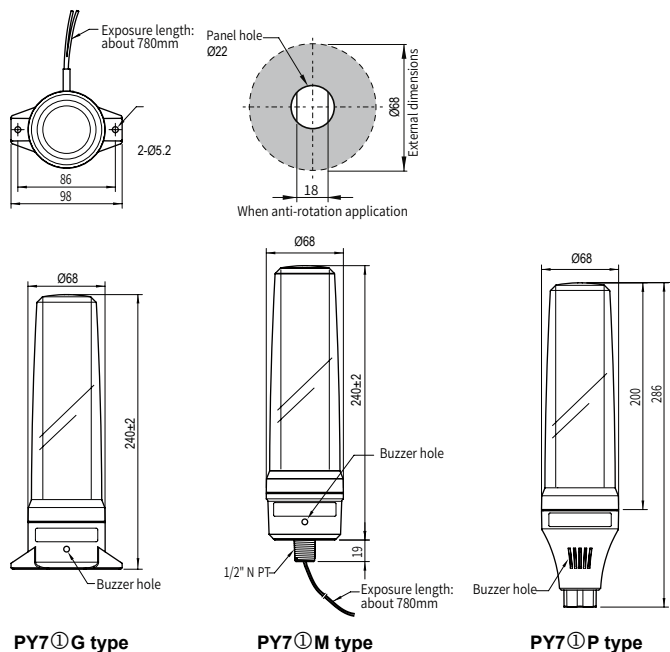
PY7 T P - Z F 02 - RYG - B
 ① ② ③ ④ ⑤ ⑥ ⑦

| | | | |
|---------------------------------------|----------------|----------------------------|-------------------------------------|
| ① Model Type | L | Standard | |
| | T | Multi Channel | |
| ② Mounting Type | G | Surface Mounting | |
| | M | Direct Mounting | |
| | P | Pole Mounting | |
| ③ Light Style | No mark | Steady | |
| | B | Steady + Buzzer | |
| | F | Steady + Flashing | |
| | Z | Steady + Flashing + Buzzer | |
| ④ Number of Stack (L Type only) | 3 | 3 LED Lights | |
| | 4 | 4 LED Lights | |
| | 5 | 5 LED Lights | |
| ⑤ Power Supply | 02 | 24Vdc | |
| | FF | 110~220Vac | |
| ⑥ LED Color (top to bottom) | L Type | RYG | Red + Yellow + Green |
| | | RGB | Red + Blue + Green |
| | T Type | RYGB | Red + Yellow + Green + Blue |
| | | RYGBW | Red + Yellow + Green + Blue + White |
| ⑦ Body Color | RBG | Red + Blue + Green | |
| | I | Ivory | |
| | B | Black | |
| | C | Silver Matte Coating | |

Current consumption

| | Stack | LED Color | 24VDC | | 110~220VAC | |
|--------|-------------|-----------|---------|--------|------------|------------|
| | | | General | Buzzer | General | Buzzer |
| L Type | 3 Lights | R+Y+G | 0.14A | 0.16A | 0.08A | 0.09A |
| | 3 Lights | R+B+G | 0.20A | 0.22A | 0.10A | 0.11A |
| | 4 Lights | R+Y+G+B | 0.23A | 0.25A | 0.11A | 0.11A |
| | 5 Lights | R+Y+G+B+W | 0.25A | 0.27A | 0.11A | 0.11A |
| T Type | Multi-color | R+B+G | 0.22A | 0.23A | 0.05~0.10A | 0.06~0.10A |

Dimensions



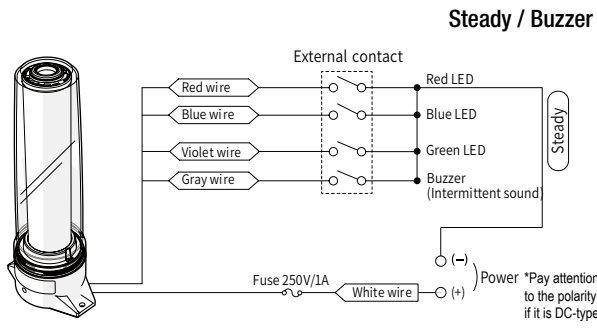
Specifications

| | | |
|--------------------------|--|---------------------------------------|
| Model Type | L | T |
| Function | Steady, Flashing, Buzzer | |
| Power Supply | 24VDC, 110~220VAC (50~60Hz) | |
| Allowable Voltage Range | 24VDC: 21.6~26.4VDC / 110~220VAC: 100~240VAC | |
| Flashing Rate | 70±5/min | |
| Buzzer Volume* | Continuous sound: 80±5dB (at 1M) Intermittent sound: 80±5dB (at 1M) | Intermittent sound: 75±5dB (at 1M) |
| Lens Color | Transparent (inner and outer) - PC Resin | |
| Mounting Options | Pole/Surface/Direct/Wall Mounting | |
| Ambient Temperature | -20°C ~ 50°C | |
| Storage Temperature | -20°C ~ 70°C | |
| Ambient Humidity | 45~85% RH | |
| Withstand Voltage | 500VAC 50/60Hz for 1 minute | |
| Insulation Resistance | 100MΩ or more (500VDC Megger basis) | |
| Vibration | 10 ~ 55Hz (1 min.cycle) Double amplitude 0.75mm X, Y, Z | |
| Connection | UL1007/22AWG | |
| Protection Structure | IP65 (with Buzzer type: IP62) | |
| Approval | UL/CE(24V Only),RoHS | UL(24V Only), RoHS |
| Weight (DC, Buzzer Type) | PY7①P type: app. 350g PY7①G type: app. 320g PY7①M type: app. 310g | |

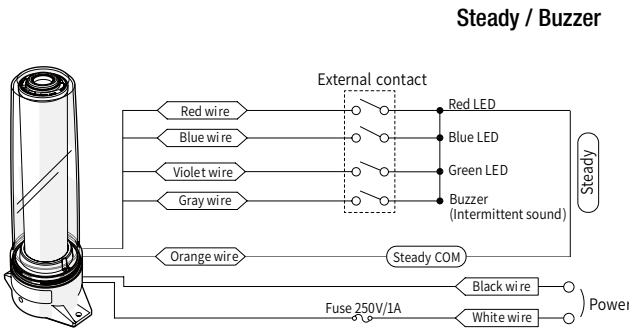
*You can select only one of two buzzer sounds to use.

T Type Connection diagram

24VDC

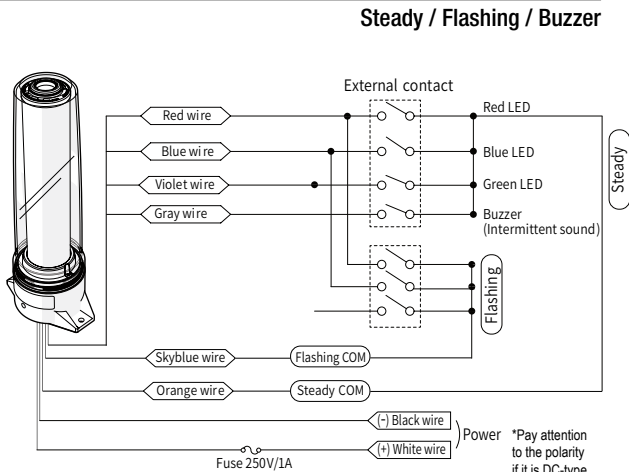


110~220VAC



* Do not connect the power line and flashing or steady lines (Orange wire). It may cause damage to the product.

24VDC, 110~220VAC



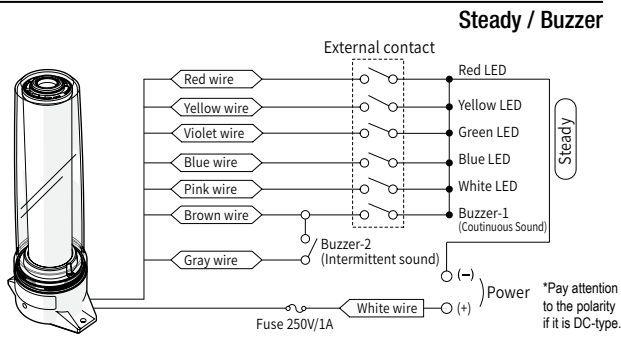
* Do not connect the power line and flashing or steady lines (Orange/Skyblue wire). It may cause damage to the product.

T Type Operating Condition

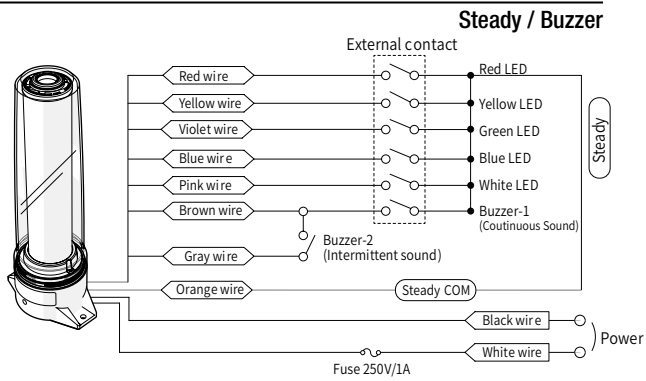
| Conditions | Input condition | | | LED Output color | |
|-------------|---|----------------------|-------------------------|------------------|---------------|
| | Red LED (Red wire) | Blue LED (Blue wire) | Green LED (Violet wire) | Upper Display | Lower Display |
| Condition-1 | 0 | 1 | 1 | Red | |
| Condition-2 | 1 | 0 | 1 | Blue | |
| Condition-3 | 1 | 1 | 0 | Green | |
| Condition-4 | 0 | 1 | 0 | Red | Green |
| Condition-5 | 0 | 0 | 1 | Blue | Red |
| Condition-6 | 1 | 0 | 0 | Sky blue | |
| Condition-7 | 0 | 0 | 0 | Blue | Sky blue |
| Condition-8 | 1 | 1 | 1 | Off | |
| Remark | 0: Orange wire (-) COM ----> Connection Status 1: Open condition | | | | |

L Type Connection diagram

24VDC

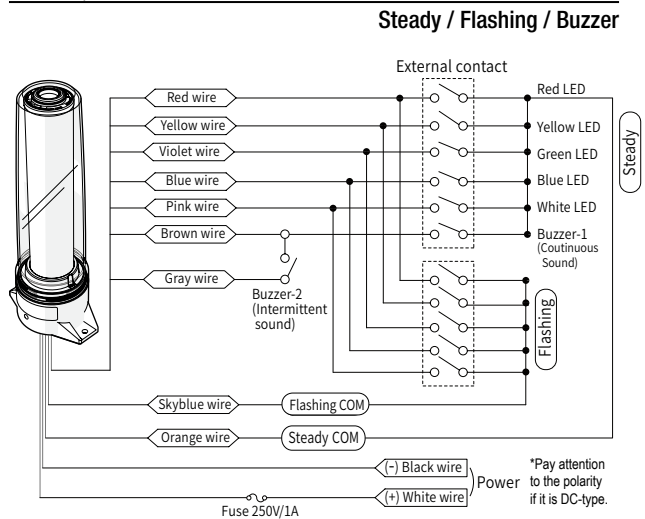


110~220VAC



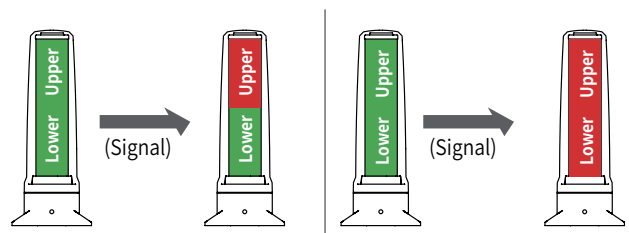
* Do not connect the power line and flashing or steady lines (Orange wire). It may cause damage to the product.

24VDC, 110~220VAC



* Do not connect the power line and flashing or steady lines (Orange/Skyblue wire). It may cause damage to the product.

T type's multi-color & multi-channel function



See page B1 - B2 for mounting options and accessories

Tower Lights

Beacon Lights

LED Indicators Pilot Lamps

Buzzer Alarms

Pushbutton Switches

Limit Switches

Foot Switches

SSR

Relay & Sockets

Relay Terminal Blocks

Terminal Blocks

Fuse Holders

Enclosures