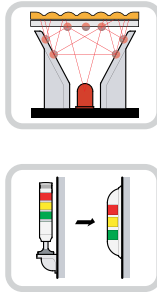




PWE Series

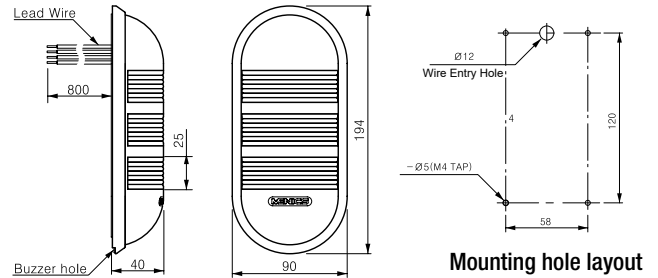
Wall Mounted LED Tower Lights with Buzzer

- Pre wire type
- Slim Profile Wall Mount
- Easy Mounted vertically and horizontally
- Steady and flashing lights
- Vibration and moisture resistant
- Chrome or tan colored cover



Dimensions

unit: mm



Ordering Information

PWE C F - 3 02 - RYG
 ① ② ③ ④ ⑤

① Housing Color		Cream
	C	Chrome
② Light Style		Steady
	F	Steady & Flashing
	B	Steady with Audible Alarm
	Z	Steady & Flashing with Alarm
③ Number of Stacks	1	1 Light
	2	2 Lights
	3	3 Lights
④ Power Supply	01	12V AC/DC
	02	24V AC/DC
	FF	90~240V AC
⑤ Lens Colors (top to bottom)	R	Red
	Y	Yellow
	G	Green
	B	Blue: 12V & 24V only

Specifications

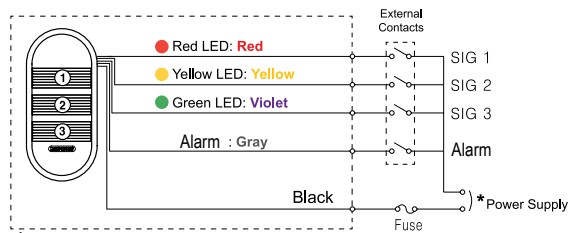
Power Supply	12VAC/DC	24VAC/DC	90~240VAC
Current Consumption	R	55mA	70mA
	Y	55mA	75mA
	G	60mA	90mA
	B	60mA	85mA
Buzzer	200mA	30mA	
Alarm Sound Level	85 ± 5dB at 1m		
Flashing rate	Approx. 80 ± 10 flashes/min.		
Rating	IP65 (IP56 with buzzer)		
Vibration	3mm at 10~55Hz		
Ambient Temp.	-15°C~40°C		
Ambient Humidity	45~85% RH		
Recommended Wire Size	1007 UL / 22 AWG		

Wiring Diagram

12V & 24V AC/DC

PWE-□01-□□□ PWEB-□01-□□□
 PWE-□02-□□□ PWEB-□02-□□□

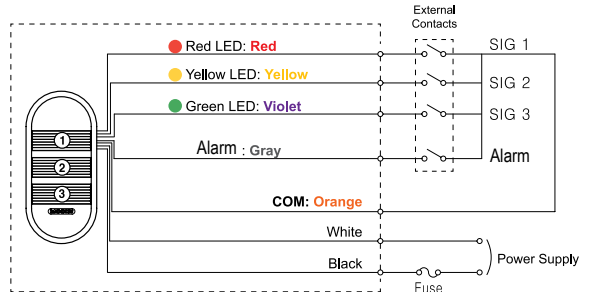
Steady Lights (with Audible Alarm)



90-240V AC

PWE-□FF-□□□ PWEB-□FF-□□□

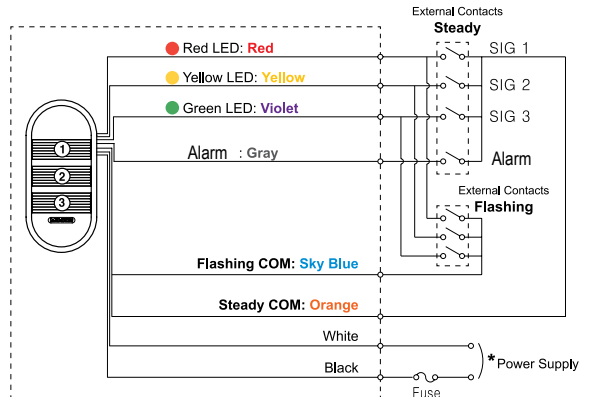
Steady Lights (with Audible Alarm)



90-240V AC, 24V AC/DC

PWEF-□01-□□□ PWEZ-□01-□□□
 PWEF-□02-□□□ PWEZ-□02-□□□
 PWEF-□FF-□□□ PWEZ-□FF-□□□

Steady & Flashing Lights (with Audible Alarm)



* No polarity for DC applications.