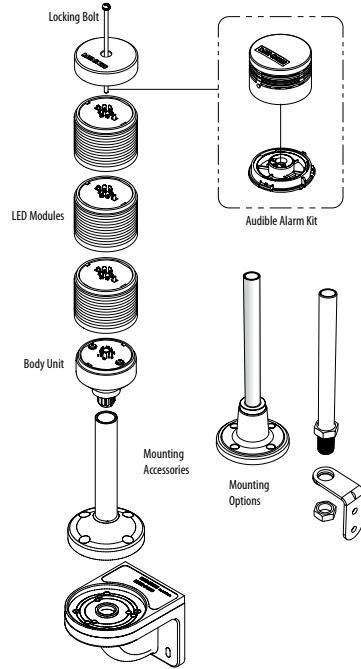




# PTE Series

Ø56mm LED Modular Stack Light  
Steady & Flashing lights with buzzer

- LED modular components
- Optional audible alarm at 85 or 100dB (fixed or adjustable volume)
- Power: 24V AC/DC or 90~240V AC
- Lead wire or terminal connection
- Pole mounting or direct mounting



## Ordering Information

**PTE - A F - 3 02 - RYGB C - B**  
①      ②      ③      ④      ⑤      ⑥

① Top Head Style	<b>PTE</b>	Standard
	<b>PTD</b>	Dome Head
② Body Unit Mounting / Connection	<b>A</b>	Pole Mounting/ Lead Wires
	<b>SC</b>	Direct Mounting / Lead Wires
	<b>T</b>	Pole Mounting/ Terminal Connection
	<b>TC</b>	Direct Mounting/ Terminal Connection
③ Light Style		Steady Light
	<b>F</b>	Steady & Flashing Light
④ Number of Stacks	<b>1</b>	1 Light
	<b>2</b>	2 Lights
	<b>3</b>	3 Lights
	<b>4</b>	4 Lights
	<b>5</b>	5 Lights
⑤ Power Supply	<b>02</b>	24V AC/DC
	<b>FF</b>	90~240V AC
⑥ Lens Colors (top to bottom)	<b>R</b>	Red
	<b>Y</b>	Yellow
	<b>G</b>	Green
	<b>B</b>	Blue
	<b>C</b>	Clear

## Optional parts

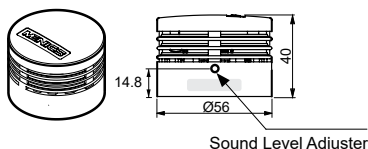
### Body Units

Body Type		Voltage	Part Number	
			Steady	Steady & Flashing
Lead Wire Connection	Pole Mounting	90~240V AC	PTE-A-FF-B	PTE-AF-FF-B
		24V AC/DC	PTE-A-02-B	PTE-AF-02-B
	Direct Mounting	90~240V AC	PTE-SC-FF-B	PTE-SCF-FF-B
		24V AC/DC	PTE-SC-02-B	PTE-SCF-02-B
Terminal Connection	Pole Mounting	90~240V AC	PTE-T-FF-B	PTE-TF-FF-B
		24V AC/DC	PTE-T-02-B	PTE-TF-02-B
	Direct Mounting	90~240V AC	PTE-TC-FF-B	PTE-TCF-FF-B
		24V AC/DC	PTE-TC-02-B	PTE-TCF-02-B

### Audible Alarm Kits (Optional)

Alarm Style	Part Number
Fixed Sound Level	MPZ-56F-B
Adjustable up to 85 dB	MPZ-56G-B
Adjustable up to 100 dB	MPZ-56H-B

\*Note: Max. number of tier including Buzzer is 5.



Sound Level Adjuster

### LED Modules

LED Color	Part Number	
	Standard Module	Dome Head Module
Red	PTE-02-R	PTD-02-R
Yellow	PTE-02-Y	PTD-02-Y
Green	PTE-02-G	PTD-02-G
Blue	PTE-02-B	PTD-02-B
*Clear	PTE-02-C	PTD-02-C

\*Clear Module cannot be used with Buzzer.

### Locking Bolts

	# Lights	Part Number	Size
PTE	1 Stack	B-PTE-1	M4, 65mm
	2 Stacks	B-PTE-2	M4, 105mm
	3 Stacks	B-PTE-3	M4, 145mm
	4 Stacks	B-PTE-4	M4, 185mm
	5 Stacks	B-PTE-5	M4, 225mm
PTD	1 Stack	B-PTD-1	M4, 83mm

\*Note: Do NOT count Buzzer as a stack.

See page B1 - B2 for mounting options and accessories

# Specifications

## Body Units

Operation/Function	Steady/ Flashing
Power Supply	24V AC/DC (±10%), 90~240V AC 50/60 Hz (±10%)
Alarm Sound Level	Fixed: 85dB Adjustable: 10~85dB, 10~100dB
Lens Color	Red, Yellow, Green, Blue & Clear
Lens Diameter	56 mm (2.2 inch)
Maximum Tier	5
Flash Rate	80 times/ minute
Vibration	3mm at 10~55Hz
Ambient Temperature	-15°C~40°C
Storage Temperature	-40°C ~ 70°C
Ambient Humidity	45~85% RH
Degree of Protection	NEMA 4x, IP65 / IP50 (with Buzzer)
Approvals	CE , UL, RoHS
Recommended Wire Size	1007 UL / 22 AWG

## LED Modules

Color	Red	Yellow	Green	Blue	Clear
Current / Power	24V 33mA	27mA	42mA	42mA	42mA
	90-240V 17mA	17mA	22mA	22mA	22mA
Weight	Approx. 43g				

## Audible Alarm Kits

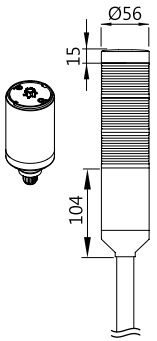
Model	MPZ-56F-B	MPZ-56G-B	MPZ-56H-B
Style	Fixed Sound	Adjustable Sound	Adjustable Sound
Sound Level	85±5dB	10~85±5dB	10 ~ 100±5dB
Current Consumption / Power	30mA / 0.72W	30mA / 0.72W	150mA / 3.6W
Weight	32.2g	33g	33g

# Dimensions

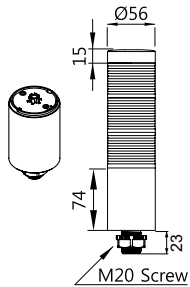
unit: mm

### Lead Wire Connection

**Pole Mounting**  
PTE-A-□□  
PTE-AF-□□

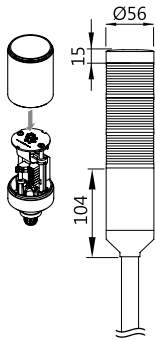


**Surface Mounting**  
PTE-SC-□□  
PTE-SCF-□□

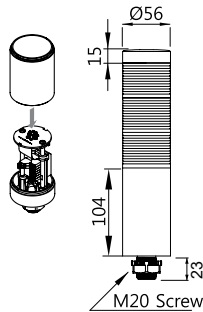


### Terminal Connection

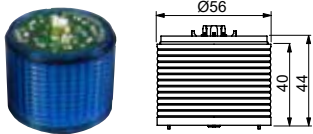
**Pole Mounting**  
PTE-T-□□  
PTE-TF-□□



**Surface Mounting**  
PTE-TC-□□  
PTE-TCF-□□



### Standard Modules



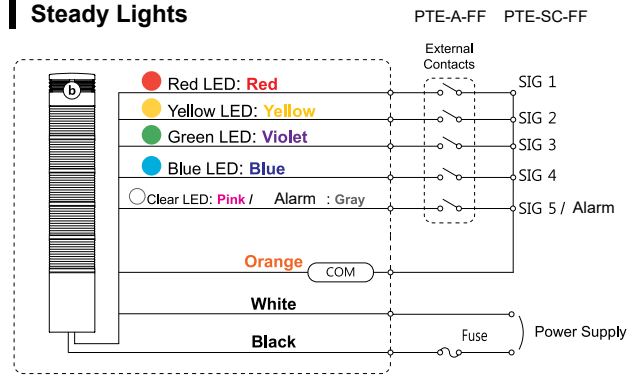
### Dome Head Modules



# Wiring Diagram

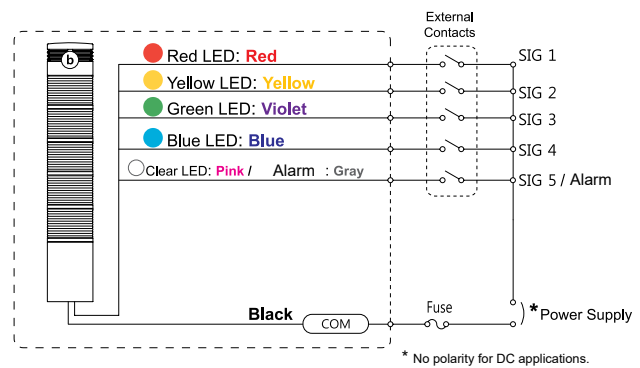
## 90-240V AC

### Steady Lights



## 24V DC/AC

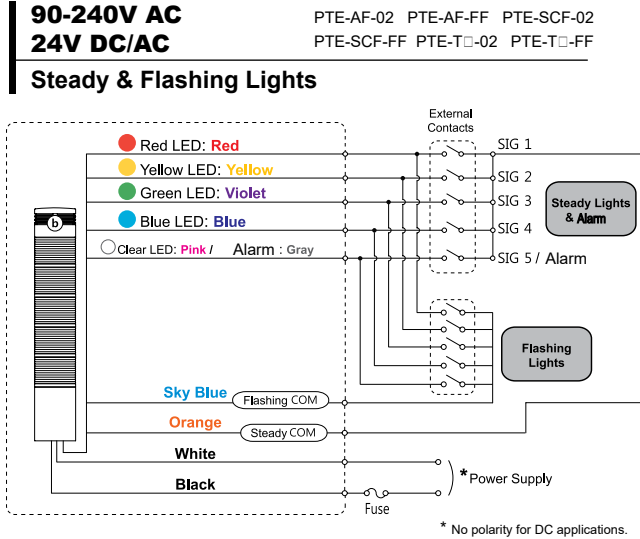
### Steady Lights



## 90-240V AC

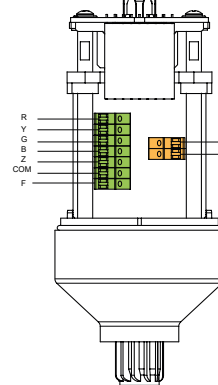
## 24V DC/AC

### Steady & Flashing Lights



### Terminal Connections

PIN	Description
R	Red LED
Y	Yellow LED
G	Green LED
B	Blue LED
Z	Clear LED or Buzzer
COM	Steady COM
F	Flashing COM
A	Power Supply
B	No Polarity for DC Applications.



Tower Lights

Beacon Lights

LED Indicators Pilot Lamps

Buzzer Alarms

Pushbutton Switches

Limit Switches

Foot Switches

SSR

Relay & Sockets

Relay Terminal Blocks

Terminal Blocks

Fuse Holders

Enclosures