

PL4 Series

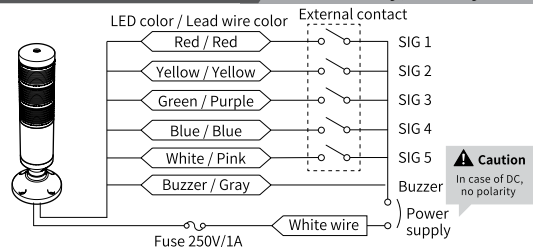
Ø45mm LED Steady & Flashing

- Pre-assembled 1 to 5 stack lights
- Built-in Audible Alarm Kit
- High visibility from every angle through prism-cut lens
- Various mounting options and accessories
- Various operating voltage
- Economy type

Wiring Diagram

12VAC/DC, 24VAC/DC

Steady, Steady+Buzzer

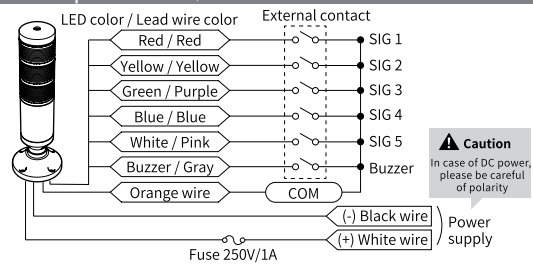


Caution
In case of DC,
no polarity

12~24VAC/DC, 110~220VAC

Steady, Steady+Buzzer

Caution Please don't connect the steady wire(Orange colored) to power wire. This can cause product failure.

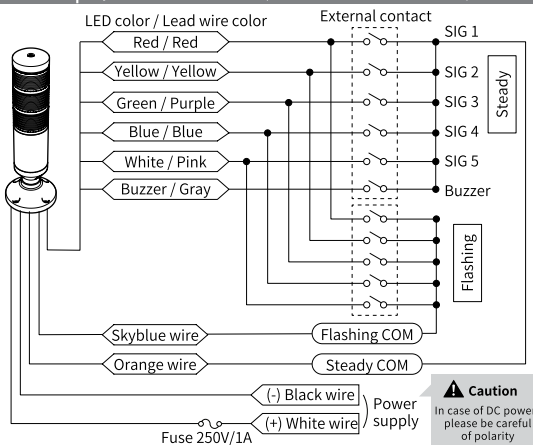


Caution
In case of DC power,
please be careful
of polarity

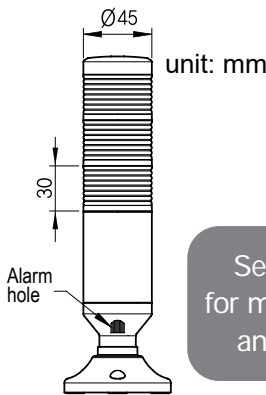
12~24VAC/DC, 110~220VAC

Steady+Flashing+Buzzer

Caution Please don't connect the steady/flashing wire (Orange colored/Skyblue colored wire) to power wire. This can cause product failure.



Caution
In case of DC power,
please be careful
of polarity



See page 21-23
for mounting options
and accessories

Ordering Information

PL 4 B - 3 FF - RYG - (B)

① ② ③ ④ ⑤

① Function	F	Steady
	B*	Steady + Flashing
	B*	Steady + Audible Alarm
	Z*	Steady + Flashing + Audible Alarm
② Number of Stacks	1	1 Light
	2	2 Lights
	3	3 Lights
	4	4 Lights
	5	5 Lights
③ Power Supply	00	12 ~ 24V AC/DC
	FF	110~120V AC
④ LED Color	R	Red
	Y	Yellow
	G	Green
	B	Blue
	C	Clear
⑤ Audible Alarm	B**	Audible Alarm

*PL4 Series only. **PL5 Series only

Specifications

Flashing rates	12VDC - 75±5times/minute
	12VAC , 24VAC/DC - 80±5times/minute
	90~240VAC - 80±5times/minute
Alarm sound level	Alternating Alarm: 75±5dB- at 1M
	Continuous Alarm: 75±5dB- at 1M
Lens Color	5 Colors – Red, Yellow, Green, Blue, Clear
Mounting	Upward only
Wiring Method	Lead wires
Ambient Temperature	-20 ~ 40°C
Storage Temperature	-20 ~ 70°C
Ambient Humidity	45~85% RH
Dielectric Strength	1000VAC 50/60Hz for 1min
Insulation Resistance	100 min. at 500VDC
Vibration	0.75mm at 10~55Hz
Recommended Wire Size	UL1007 / 22AWG
Certificate/compliance	RoHS, UL
Degree of Protection	IP52

Current Draw	Power Supply	12 ~ 24VAC	
	Model	Standard type	Audible Alarm type
	1 Stack	0.22A	0.25A
	2 Stack	0.30A	0.32A
	3 Stack	0.38A	0.38A
	4 Stack	0.46A	0.46A
	5 Stack	0.52A	0.52A
	Power Supply	110~220VAC	
	1 Stack	0.03A	0.03A
	2 Stack	0.05A	0.06A
3 Stack	0.07A	0.07A	
4 Stack	0.09A	0.09A	
5 Stack	0.11A	0.11A	
LED Function	Steady + Flashing		
Operation Voltages	12~24VAC/DC, 110~220VAC (AC 50/60Hz)		
Light Source	LED		
LED Colors	5 Colors – Red, Yellow, Green, Blue, White		
Dimensions / Tiers	D45mm / up to 5 Tiers		