

- 3 color in 1 LED Modular Component
- High intensity LED
- Life duration up to 50,000 hrs
- Adjustable Sound level 10 ~ 100dB

MS86M Series

Ø86mm 3 color in 1 LED Steady & Flashing Lights



Ordering Information

MS86M **F** **00** - **RYG**

① ② ③

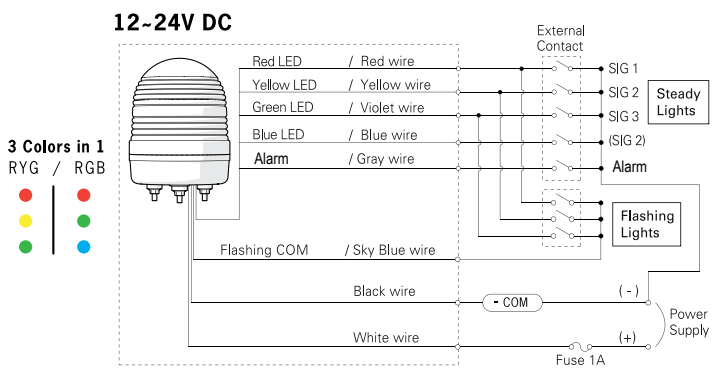


① Light Style	F	Steady & Flashing
	B	Steady & Falshing w/Audible Alarm
② Power Supply	00	12-24V AC/DC
	FF	90 ~240V AC
③ Colors	RYG	Red, Yellow and Green
	RGB	Red, Green and Blue

Specifications

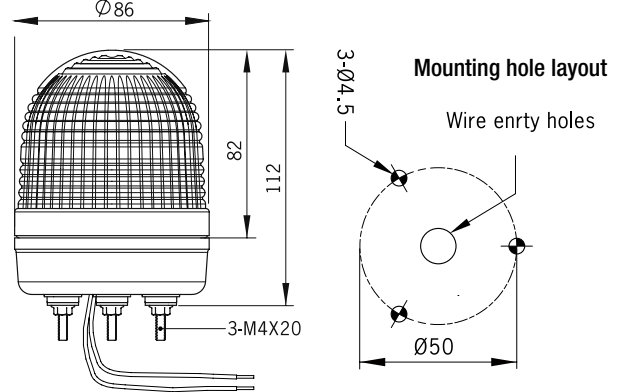
Lighting type	LED Steady+Flashing w/Audible Alarm		
Power Supply	12~24V AC/DC	90~240VAC	
Current Consumption	RYG	400 ~ 600mA	30 ~ 80mA
	RGB	400 ~ 600mA	30 ~ 80mA
	Audible Alarm	150mA	
		Instantaneous inrush current: 300mA	
Flash Rate	F1: 80 ±5 flashes/minute F3: 240 ±5 flashes/minute		
Alarm Sound Level	10-100 ±5dB at 1m: Volume adjustable		
Vibration	15~55 Hz; xyz/60min (70m/s ² , 7G)		
Insulation Resistance	100 MΩ minimum (500VDC mega)		
Ambient Temperature	-20~40°C		
Storage Temperature	-40~70°C		
Ambient Humidity	45~85% RH		
Degree of Protection	IP65		
Recommended Wire Size	UL1007/22AWG		
Weight	150g		

Wiring Diagram

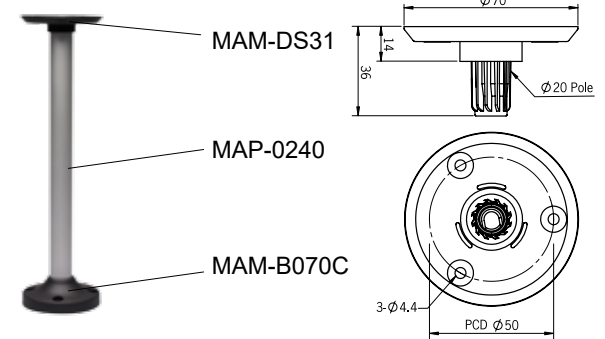


See page B1 - B2
for mounting options and accessories

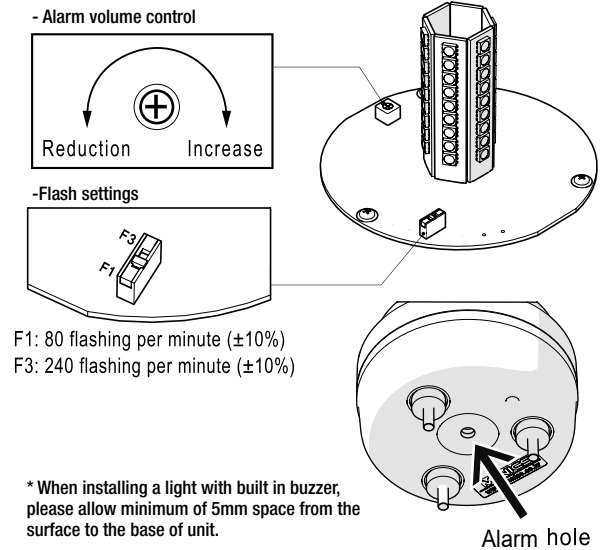
Dimensions



Power supply wire From wire exit 800mm
MS86 Pole Mounting Option MAM-DS31 Dimensions



Feature settings



F1: 80 flashing per minute (±10%)
F3: 240 flashing per minute (±10%)

* When installing a light with built in buzzer, please allow minimum of 5mm space from the surface to the base of unit.

Tower Lights

Beacon Lights

LED Indicators Pilot Lamps

Buzzer Alarms

Pushbutton Switches

Limit Switches

Foot Switches

SSR

Relay & Sockets

Relay Terminal Blocks

Terminal Blocks

Fuse Holders

Enclosures