



# MS70LT Series

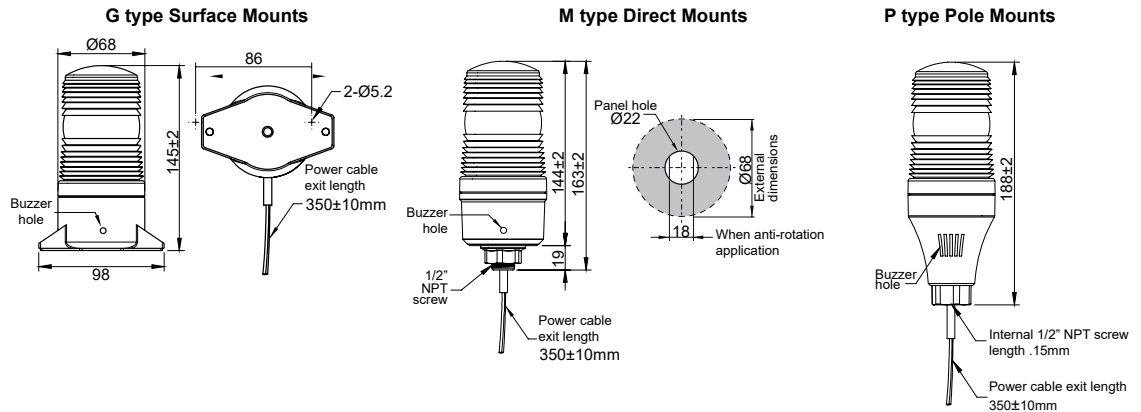
Ø70mm LED Signal Light

- High intensity LED flashing light
- Three mounting options
- Two flashing patterns (built-in slide switch)
- IP 65 (buzzer type- IP50)



## Dimensions

unit: mm



## Ordering Information

MS70LT - G B 00 - R  
 ① ② ③ ④

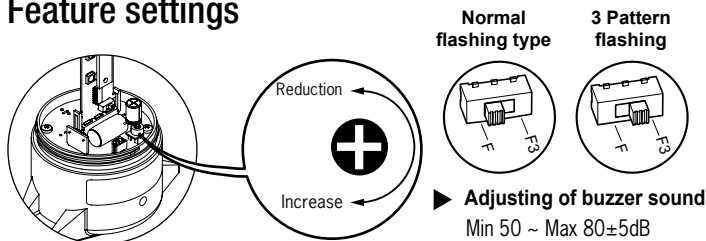
① Mounting Type	<b>G</b>	Surface Mounting
	<b>M</b>	Direct mounting
	<b>P</b>	Pole mounting
② Light Style	<b>F</b>	Flashing
	<b>B</b>	Flashing & Buzzer
③ Power Supply	<b>00</b>	12~24VDC
	<b>FF</b>	110~220VAC
④ Lens Colors	<b>R</b>	Red
	<b>Y</b>	Yellow
	<b>G</b>	Green
	<b>B</b>	Blue
	<b>C</b>	Clear

## Specifications

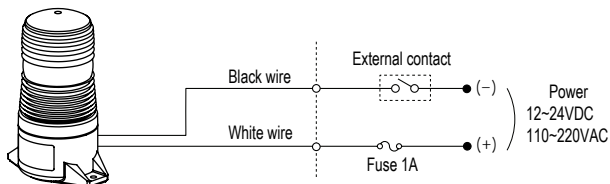
Function	Flashing, Buzzer	
Power Supply	12 ~ 24VDC, 110 ~ 220VAC(AC 50/60Hz)	
Buzzer Volume	min 50 ~ max 80±5dB	
Dimension	68mm	
Lens Color	Red, Yellow, Green, Blue, Clear	
Flashing rate (2 patterns)	- Normal flashing : 75±5 time/minute - 3 pattern flashing (Emergency signal) : 130±5 time/minute	
Current consumption	Flashing type 12~24VDC: 0.12~0.16A 110~220VAC:0.04~0.05A	Flashing + Buzzer type 12~24VDC:0.16~0.21A 110~220VAC: 0.05~0.06A
Connection	UL2464 / 18AWG, AWM, 2C, 300V	
Material	Body - ABS resin Lens - PC resin	
Ambient temperature	-20 to 50°C	
Storage ambient temperature	-20 to 70°C	
Ambient Humidity	45~85% RH	
Insulation resistance	500VAC 50 / 60Hz for 1 minute	
Vibration	10 to 55Hz (cycle 1 minute) Amplitude 0.75mm X, Y, Z 1 hour in each direction	
Approval	CE(DC products only), RoHS	
Protection structure	IP65 (IP50-Buzzer type)	
Weight (DC type)	G type: app.196g M type: app.195g P type: app.198g	

\* Life of the LED varies according to operating conditions and environment.

## Feature settings



## Wiring Diagram



\* buzzer type : When power is applied, LED flashing and buzzer operate simultaneously

See page 19 - 21  
for mounting options and accessories

- low intensity strobe ideal for industrial applications
- Field replaceable snap-fit flashing lamp
- Three mounting options
- IP65

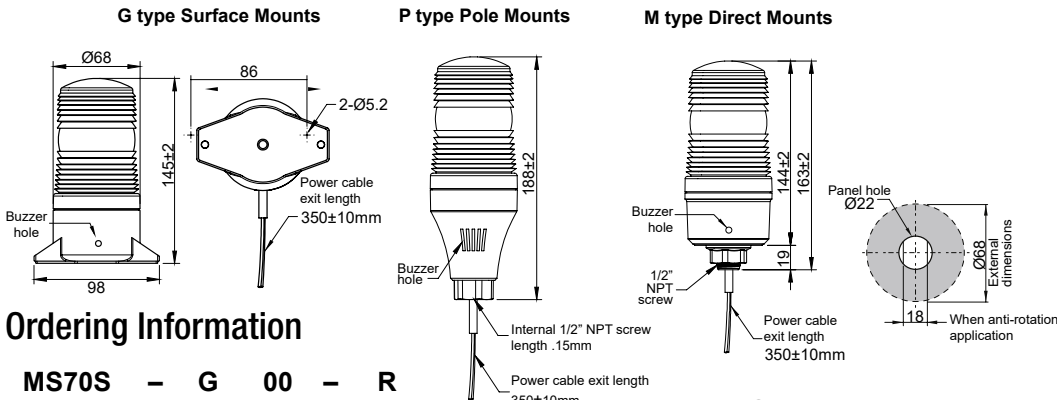
# MS70S Series

Ø70mm Xenon Lamp Strobe Light



## Dimensions

unit: mm



## Ordering Information

MS70S - G 00 - R  
 ① ② ③

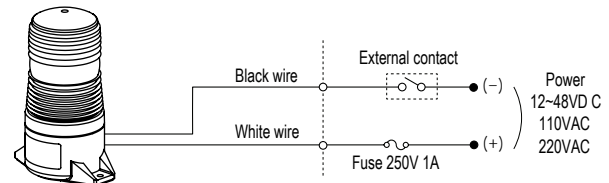
① Mounting Type	<b>G</b>	Surface Mounting
	<b>M</b>	Direct mounting
	<b>P</b>	Pole mounting
② Power Supply	<b>00</b>	12~48VDC
	<b>10</b>	110VAC
	<b>20</b>	220VAC
③ Lens Colors	<b>R</b>	Red
	<b>Y</b>	Yellow
	<b>G</b>	Green
	<b>B</b>	Blue

## Specifications

Function	Flashing
Power Supply	12 ~ 48VDC, 110VAC, 220VAC(AC 50/60Hz)
Dimension	68 mm
Lens Color	Red, Yellow, Green, Blue
Flashing rate	12~48VDC : 80±5 times per minute 110VAC : 77±5 times per minute 220VAC : 60±5times per minute
Current consumption	12~48VDC : 0.08~0.2A 110VAC : 0.07A 220VAC : 0.04A
Connection	UL2464/18AWG, AWM, 2C, 300V
Material	Body - ABS resin Lens - PC resin
Ambient temperature	-20 to 50°C
Storage ambient temperature	-20 to 70°C
Ambient Humidity	45~85% RH
Insulation resistance	500VAC 50 / 60Hz for 1 minute
Vibration	10 to 55Hz (cycle 1 minute) Amplitude 0.75mm X, Y, Z 1 hour in each direction
Approval	RoHS
Protection structure	IP65
Weight (DC type)	G type: app.196g M type: app.195g P type: app.198g

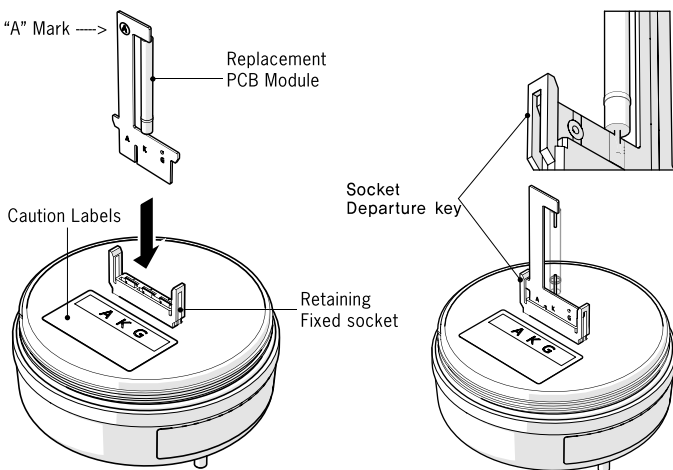
\*Lifetime of the lamp varies according to operating conditions and environment.

## Wiring Diagram



MS70S -LAMP-AL	
	Xenon lamp Type: 3W Lamp life: App 2,000 hours

## How to install Xenon bulb



The new lamp should be inserted firmly to match the same signal A K G (or A G K) mark. Printed "A" in circuit and label.

- ⚠ - If you insert reverse direction, the lamp can not operate.
- Insert the lamp circuit board correctly, not to inclined.

See page 19-21 for mounting options and accessories



# MS70M Series

Ø70mm Multicolored LED Signal Light

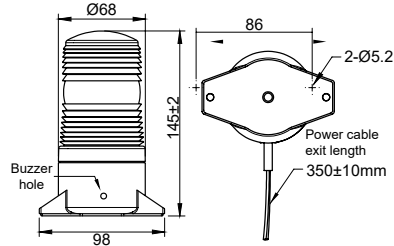
- Up to 7 color combinations available
- Three Mounting Options
- Two lens options for clear or softer view
- IP65 (buzzer type -IP50)



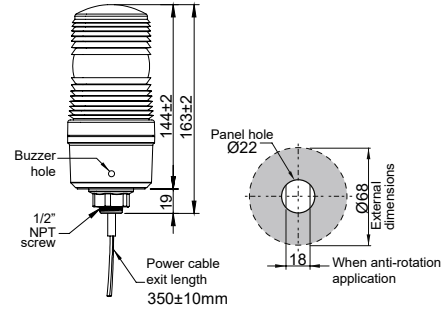
## Dimensions

unit: mm

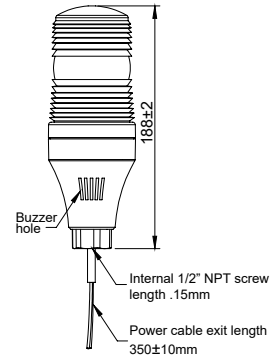
### G type Surface Mounts



### M type Direct Mounts



### P type Pole Mounts



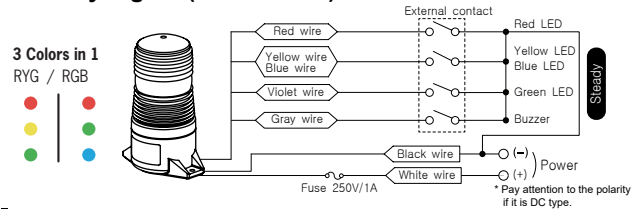
## Specifications

Function	Steady, Flashing, Buzzer	
Power Supply	12 ~ 24VDC, 110 ~ 220VAC(AC 50/60Hz)	
Alarm Sound Level	min 50 ~ max 75±5dB	
Dimension	68mm	
Lens Color	Clear / Milky white	
Flashing rate	12VDC : 65±5 times per minute 24VDC : 60±5 times per minute 110~220VAC : 70±5times per minute	
Current consumption	LED Steady 12~24VDC: 0.22A 110~220VAC: 0.04~0.06A	LED Steady +Buzzer 12~24VDC: 0.26A 110~220VAC: 0.05~0.06A
Connection	UL1007/22AWG	
Material	Body - ABS resin Lens - PC resin	
Ambient temperature	-20 to 50°C	
Storage ambient temperature	-20 to 70°C	
Ambient Humidity	45~85% RH	
Insulation resistance	500VAC 50 / 60Hz for 1 minute	
Vibration	10 to 55Hz (cycle 1 minute) Amplitude 0.75mm X, Y, Z 1 hour in each direction	
Approval	RoHS	
Protection structure	IP65 (IP50-Buzzer type)	
Weight (DC type)	G type: app.196g M type: app.195g P type: app.198g	

## Wiring Diagram

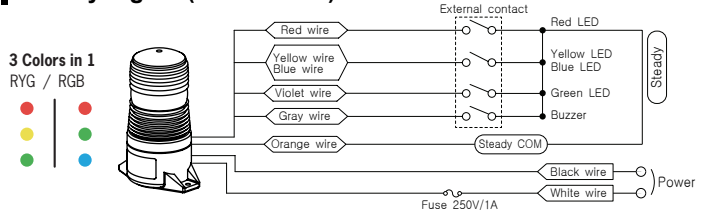
### 12~24VDC

#### Steady Lights (with Buzzer)



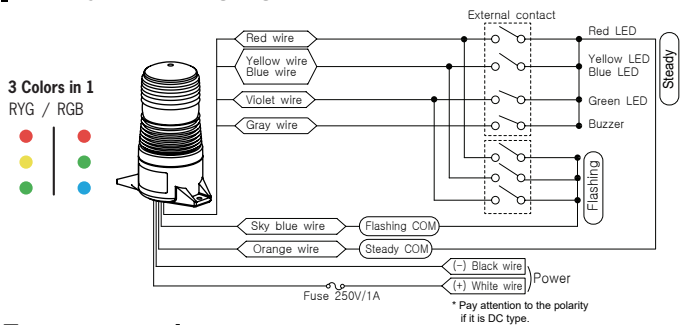
### 110~220VAC

#### Steady Lights (with Buzzer)

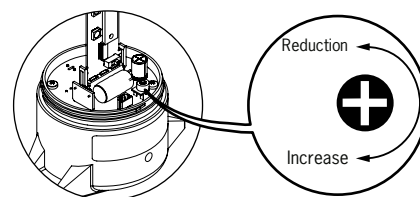


### 12~24VDC , 110~220VAC

#### Steady & Flashing Lights (with Buzzer)



## Feature settings



▶ Adjusting of buzzer sound  
Min 50 ~ Max 75±5dB

See page 19-21  
for mounting options  
and accessories

## Ordering Information

MS70M - G Z 00 - RGB M

① ② ③ ④ ⑤

① Mounting Type	<b>G</b>	Surface Mounting
	<b>M</b>	Direct mounting
	<b>P</b>	Pole mounting
② Light Style	<b>F</b>	Steady & Flashing
	<b>B</b>	Steady & Buzzer
	<b>Z</b>	Steady & Flashing & Buzzer
③ Power Supply	<b>00</b>	12~24VDC
	<b>FF</b>	110~220VAC
④ LED Colors	<b>RBG</b>	Red & Blue & Green
	<b>RYG</b>	Red & Yellow & Green
⑤ Lens Colors	<b>No Mark</b>	Clear lens
	<b>M</b>	Milky lens

\* Life of the LED varies according to operating conditions and environment.