



# MS56L Series

Ø56mm LED Steady & Flashing Lights

- LED Modular Component
- Direct mount
- Lead wire connection



## Specifications

Style	LED Steady+Flashing		
Power Supply	12V AC/DC	24V AC/DC	110/220V AC
Current Consumption	0.1A	0.12A	0.03A
Flash Rate	AC:110/min DC:60/min	80/min	80/min
Vibration	15~55 Hz; xyz/60min (70m/s <sup>2</sup> , 7G)		
Insulation Resistance	100 MΩ minimum (500VDC mega)		
Ambient Temperature	-15~40°C		
Storage Temperature	-20~70°C		
Ambient Humidity	45~85% RH		
Certificate/Compliance	RoSH		
Recommended Wire Size	UL1007/22AWG		
Degree of protection	IP65		
Weight	Approx. 66g		

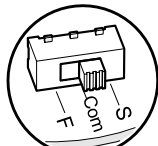
## Ordering Information

MS56L - F 02 - R  
 ① ② ③

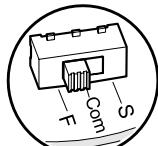
① Light Style		Steady
	F	Steady + Flashing
	R	Rotating
② Power Supply	01	12V AC/DC
	02	24V AC/DC
	10	110V AC
	20	220V Ac
③ Lens Colors	R	Red
	Y	Yellow
	G	Green
	B	Blue
	C	Clear

## Function controls

### MS56L Series

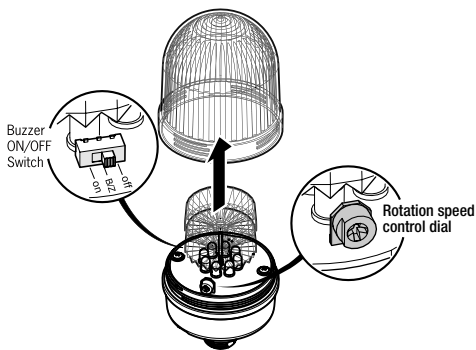


Steady

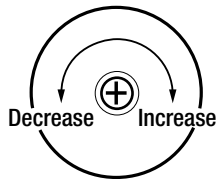


Flashing

### MS66 Series



### Rotation speed control



min40 to max300 RPM (±10%)  
(Clockwise rotation)

### Wall Mounting Option (MS56L & MS66)

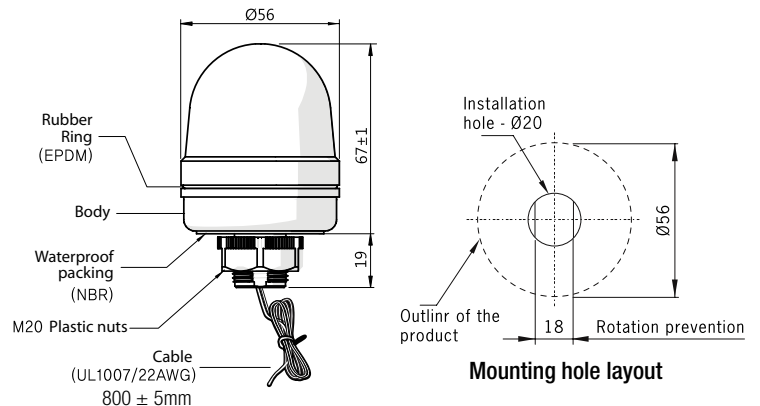
MAM-DS25



See page B1 - B2  
for mounting options and accessories

## Dimensions

(unit: mm)



## Wiring Diagram (MS56L & MS66)

12~24VAC/DC, 110~220VAC Rotating (Alarm)

