



MS115T Series

Ø115mm Multi Function LED Signal Light

- Low body type (20mm)
- Wide light distribution with prism-cut lens
- Outstanding visibility at distance
- 2 flashing patterns (selectable by DIP Switch)
- IP65 rated



Specifications

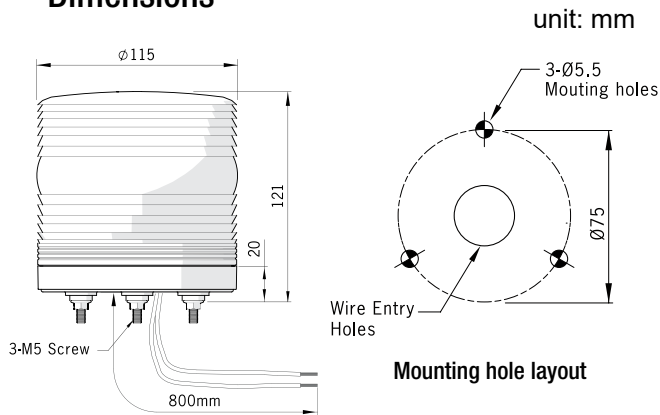
| Lighting type | Steady/Flashing/Rotating w/Buzzer | |
|-------------------------------|---|---|
| Power Supply | 12-24V AC/DC | 90-240V AC |
| Current Consumption | Red | 0.54A/ 0.69A(w/Buzzer) 0.08A/ 0.23A (w/Buzzer) |
| | Yellow | 0.53A/ 0.69A (w/Buzzer) 0.07A/ 0.23A (w/Buzzer) |
| | Green | 0.25A/ 0.39A (w/Buzzer) 0.04A/ 0.19A (w/Buzzer) |
| | Blue | 0.54A/ 0.69A (w/Buzzer) 0.08A/ 0.23A (w/Buzzer) |
| | Clear | 0.24A/ 0.39A (w/Buzzer) 0.04A/ 0.19A (w/Buzzer) |
| Flash Rate(adjustable) | F1: 80 ±10 flashes/minute F3: 240 ±10 flashes/minute(Emergency signal) | |
| Rotation Rate | 60 ~ 300±10 rpm (Clockwise) | |
| Alarm Sound Level(Adjustable) | 10 - 100dB±5 at 1m | |
| Vibration | 0.75mm at 10~55 Hz | |
| Ambient Temperature | -20~40°C | |
| Storage Temperature | -20~70°C | |
| Ambient Humidity | 45~85% RH | |
| Degree of Protection | IP65 | |
| Recommended Wire Size | UL1007/22AWG | |
| Weight | 360g | |
| Certificate/Compliance | RoHS, UL | |

Ordering Information

MS115T - R 00 - R
 ① ② ③

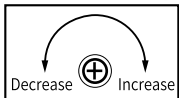
| | | |
|------------------|-----------|--------------------------------|
| ① Light Style | F | Steady/Flashing |
| | R | Steady/Flashing/Rotating |
| | B | Steady/Flashing/Rotating+Alarm |
| ② Power | 00 | 12 - 24V AC/DC |
| | FF | 90 - 240V AC |
| ③ Lens Colors | R | Red |
| | Y | Yellow |
| | G | Green |
| | B | Blue |
| | C | Clear |

Dimensions

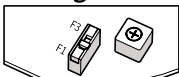


Function Setting

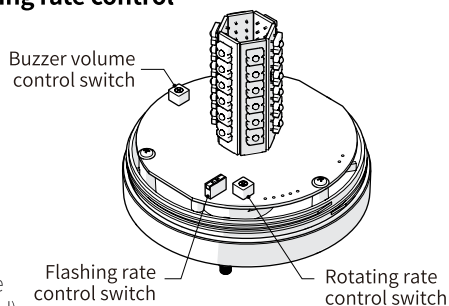
Buzzer volume / Rotating rate control



Flashing rate control

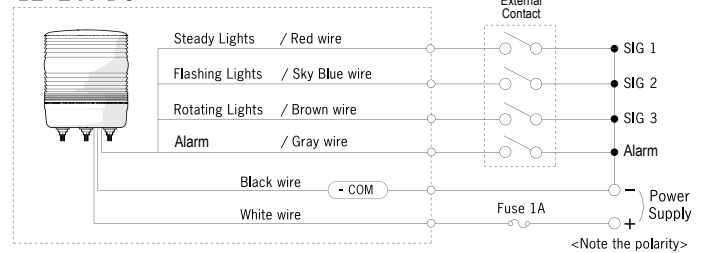


F1: 80±10 times per minute
 F3: 240±10 times per minute
 (when using emergency signal)

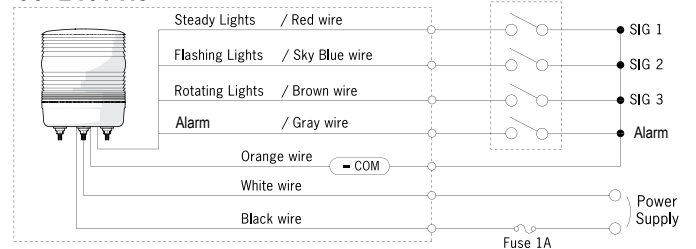


Wiring Diagram

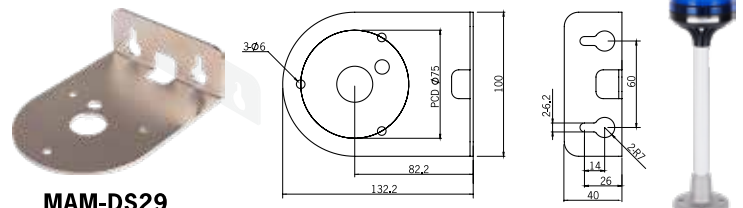
12-24V DC



90-240V AC



Wall mounting options (for all MS115 Series)



MAM-DS29

Pole Mounting