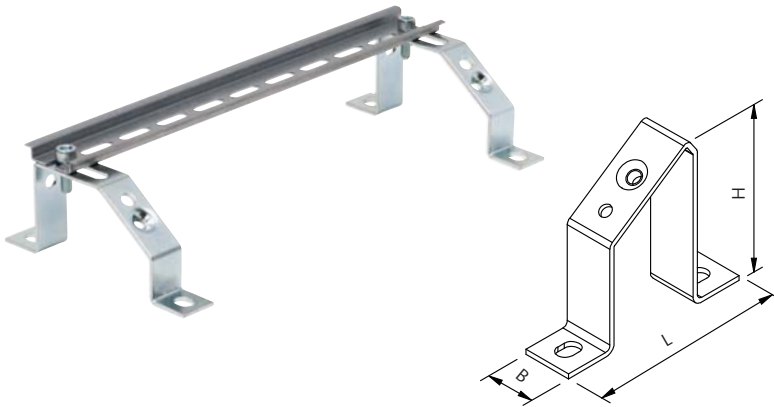


## MF

## Supports for DIN Rails and Bus Bars



Description	Type	Version	Order No. without Clip	Order No. with Clip	Dimension [L x B x H]	PU
 Type A	MF-A49	Type A	36056	36058	80 × 20 × 49 mm 3.15 × 0.787 × 1.929 "	10
	MF-A68	Type A	36064	36066	80 × 20 × 68 mm 3.15 × 0.787 × 2.677 "	10
	MF-A88	Type A	36072	36074	80 × 20 × 88 mm 3.15 × 0.787 × 3.465 "	10
 Type B	MF-B20	Type B	36000	36002	80 × 20 × 20 mm 3.15 × 0.787 × 0.787 "	10
	MF-B30	Type B	36008	36010	80 × 20 × 30 mm 3.15 × 0.787 × 1.181 "	10
	MF-B50	Type B	36016	36018	80 × 20 × 50 mm 3.15 × 0.787 × 1.969 "	10
 Type C	MF-B90	Type B	36024	36026	80 × 20 × 90 mm 3.15 × 0.787 × 3.543 "	10
	MF-C40	Type C	36032	36034	40 × 18 × 40 mm 1.575 × 0.709 × 1.575 "	10
 Type D	MF-C53	Type C	36040	36042	40 × 18 × 53 mm 1.575 × 0.709 × 2.087 "	10
	MF-D49	Type D	36048	36050	120 × 20 × 49 mm 4.724 × 0.787 × 1.929 "	10
	Bus bar 10 × 3 mm	-	36100	-	10 × 3 × 1000 mm* 0.394 × 0.118 × 39.37 "	1

\* Other lengths available on request

## Product Description

There are 4 models of supports for mounting bus bars 10 × 3 mm or 35 mm DIN rails. Various supports are available to provide solutions for different conditions.

A mounting clip is used for fastening the bus bar to the supports. The support has M6 female screw threads to affix the mounting clip of the DIN rail with a M6 screw.

Mounting clip  
Order No. 36150

## Advantages &amp; Benefits

- Wide variety of supports with different sizes and designs
- Simple assembly of TS35 DIN rails and 10 × 3 mm bus bars
- Support type D provides possibility to affix 2 TS335 DIN rails

## Specifications

Material Carbon steel, galvanically zinc-plated

## Accessories

Bus bar Order No. 36100  
Mounting clip Order No. 36150