

KEL-DP round Cable Entry Plates



Also available in black.



Membrane on front



Special fixing ribs ensure a centered fit.

Product Description

KEL-DP entry plates are designed for routing cables without connectors.

The KEL-DP products are a cost saving alternative to traditional cable glands. Ideal for high volume applications where conventional cable glands would normally be used. Simply make a small hole in the thin membrane and push the cables through. The KEL-DP round provides protection IP65 / UL Type 12.

ST-B Plugs can be used for sealing pierced membranes if cables have been removed.

A special rib ensures a centered fit in the cut-outs.

Advantages & Benefits

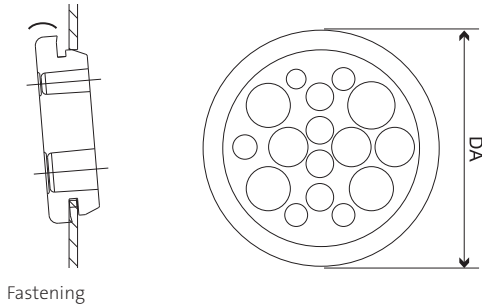
- Fast and easy assembly, no tools required
- High cable density
- Very good strain relief on the cable bundle
- Cost-effective
- For wall thickness 1.5 - 4 mm / 0.039 - 0.157 "
- Hygienic design - free of dirt-collecting recesses

| Type | Order No. Type A | Order No. Type B | Number of cables | Cut-out | External diameter DA | PU |
|--------------|------------------|------------------|--|-----------------|----------------------|----|
| KEL-DP 25 4 | 43533 50533 | - | 4× max. 8 mm / 0.315 " | ∅ 25 mm 0.984 " | 32 mm 1.26 " | 10 |
| KEL-DP 25 6 | 43531 50531 | - | 4× max. 5.2 mm / 0.205 " 2× max. 9.4 mm / 0.37 " | ∅ 25 mm 0.984 " | 32 mm 1.26 " | 10 |
| KEL-DP 32 10 | 43532 50532 | 43560 50560 | 6× max. 5.2 mm / 0.205 " 2× max. 6.4 mm / 0.252 " 2× max. 9.4 mm / 0.37 " | ∅ 32 mm 1.26 " | 38 mm 1.496 " | 10 |
| KEL-DP 40 9 | 43536 | 43561 | 8× max. 9.5 mm / 0.374 " 1× max. 11.3 mm / 0.445 " | ∅ 40 mm 1.575 " | 50 mm 1.969 " | 10 |
| KEL-DP 40 16 | 43537 | 43563 | 2× max. 5.3 mm / 0.201 " 10× max. 6.3 mm / 0.248 " 2× max. 9.5 mm / 0.374 " 2× max. 11.3 mm / 0.445 " | ∅ 40 mm 1.575 " | 50 mm 1.969 " | 10 |
| KEL-DP 40 17 | 43538 | 43565 | 1× max. 4 mm / 0.157 " 16× max. 7.2 mm / 0.283 " | ∅ 40 mm 1.575 " | 50 mm 1.969 " | 10 |

* Only valid for gray product types

2.1

KEL-DP round Cable Entry Plates



IP65



| Type | Order No. Type A | Order No. Type B | Number of cables | Cut-out | External diameter DA | PU |
|--------------|------------------|------------------|--|--------------------|----------------------|----|
| KEL-DP 50 9 | 43554 | 43568 | 5× max. 7 mm / 0.276 " | ø 50 mm 1.969 " | 60 mm 2.362 " | 10 |
| | 50554 | 50568 | 4× max. 18 mm / 0.709 " | | | |
| KEL-DP 50 11 | 43555 | 43569 | 7× max. 7.2 mm / 0.283 " | ø 50 mm 1.969 " | 60 mm 2.362 " | 10 |
| | 50555 | 50569 | 3× max. 11.2 mm / 0.441 " 1× max. 22.5 mm / 0.886 " | | | |
| KEL-DP 50 12 | 43551 | 43562 | 10× max. 9.2 mm / 0.362 " | ø 50 mm 1.969 " | 60 mm 2.362 " | 10 |
| | 50551 | 50562 | 2× max. 11.2 mm / 0.439 " | | | |
| KEL-DP 50 16 | 43550 | 43564 | 4× max. 5.3 mm / 0.201 " | ø 50 mm 1.969 " | 60 mm 2.362 " | 10 |
| | 50550 | 50564 | 5× max. 6.3 mm / 0.248 " 3× max. 9.5 mm / 0.374 " 4× max. 11.3 mm / 0.445 " | | | |
| KEL-DP 50 18 | 43553 | 43567 | 2× max. 4 mm / 0.157 " | ø 50 mm 1.969 " | 60 mm 2.362 " | 10 |
| | 50553 | 50567 | 2× max. 6 mm / 0.236 " 4× max. 7.2 mm / 0.283 " 5× max. 9.4 mm / 0.37 " 5× max. 12 mm / 0.472 " | | | |
| KEL-DP 50 20 | 43552 | 43566 | 16× max. 6.3 mm / 0.248 " | ø 50 mm 1.969 " | 60 mm 2.362 " | 10 |
| | 50552 | 50566 | 4× max. 9.3 mm / 0.366 " | | | |
| KEL-DP 50 35 | 43556 | 43570 | 35× max. 5.2 mm / 0.205 " | ø 50 mm 1.969 " | 60 mm 2.362 " | 10 |
| | 50556 | 50570 | | | | |

* Only valid for gray product types

Specifications

| | |
|-----------------------|--|
| Material | Elastomer |
| Color | <input type="checkbox"/> gray (similar RAL 7035) <input type="checkbox"/> black |
| Flame class | UL94-Vo |
| IP rating | IP65 (certified acc. to EN 60529) |
| UL type rating | UL type 12 (acc. to UL 50E) |
| Operating temperature | - 40°C to + 90°C (static) - 40°F to + 194°F (static) |
| Properties | Halogen-free, silicone-free |
| Cut-out dimensions | Metric sizes |
| Plate depth | 5 mm / 0.197 " |
| Type A: | For wall thickness 1.5 - 2.5 mm |
| Type B: | For wall thickness 2.8 - 4 mm |

Accessories

| | |
|------------------|-----------|
| ST-B Plugs | 85 |
| FP Flange plates | 178 - 183 |

2.1