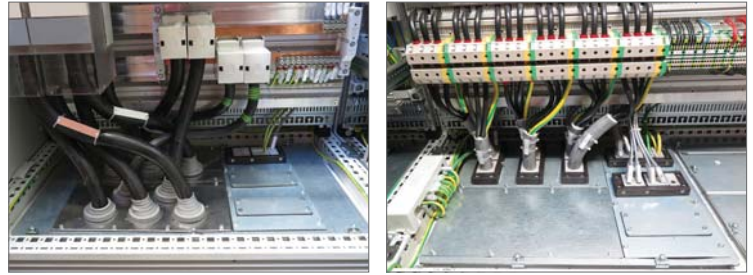


KDR-BMP

Enclosure Gland Plates for Module Plates



IP54



Product Description

The KDR-BMP gland plates are ideally suited for Rittal TS enclosures and can be used instead of the 3 piece standard gland plates. Rittal standard mounting clips are used for fixing the plate.

On KDR-BMP gland plates, our MP Module Plates MPO-MP8 can be easily mounted and used for installation of cable entry components.

Advantages & Benefits

- Very simple mounting
- No sheet metal work required

Specifications

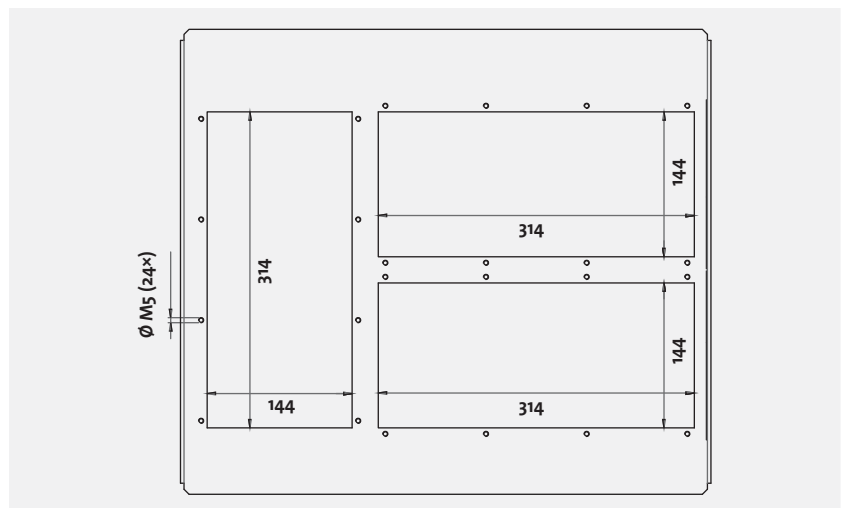
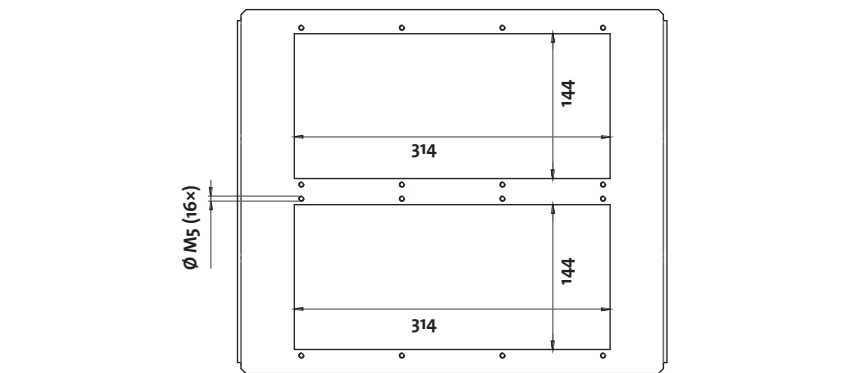
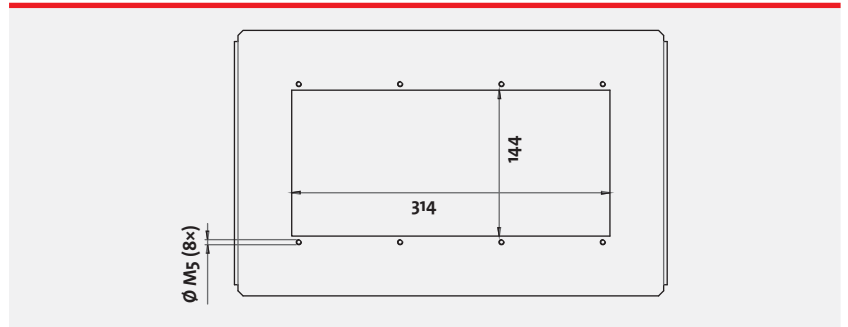
Material Sheet steel, zinc-plated
 IP rating IP54, with gasket and correct selection of cable entry devices

6

Compatible with

MP Module plates 174 - 175

Description



KDR-BMP

Enclosure Gland Plates for Module Plates



Type	Enclosure type	Enclosure width	Enclosure depth	No. of cut-outs for module plates	Order No.
KDR-BMP 600/400	TS 8	600 mm / 23.622 "	400 mm / 15.748 "	1	43300
KDR-BMP 600/500	TS 8	600 mm / 23.622 "	500 mm / 19.685 "	2	43302
KDR-BMP 600/600	TS 8	600 mm / 23.622 "	600 mm / 23.622 "	2	43304
KDR-BMP 800/400	TS 8	800 mm / 31.496 "	400 mm / 15.748 "	1	43306
KDR-BMP 800/500	TS 8	800 mm / 31.496 "	500 mm / 19.685 "	3	43308
KDR-BMP 800/600	TS 8	800 mm / 31.496 "	600 mm / 23.622 "	3	43310
KDR-BMP 1000/400	TS 8	1000 mm / 39.37 " with division bar	400 mm / 15.748 "	1	43312
KDR-BMP 1000/500	TS 8	1000 mm / 39.37 " with division bar	500 mm / 19.685 "	2	43314
KDR-BMP 1000/600	TS 8	1000 mm / 39.37 " with division bar	600 mm / 23.622 "	2	43316
KDR-BMP 1200/400	TS 8	1200 mm / 47.244 " with division bar	400 mm / 15.748 "	1	43318
KDR-BMP 1200/500	TS 8	1200 mm / 47.244 " with division bar	500 mm / 19.685 "	2 × 3	43320
KDR-BMP 1200/600 for left section	TS 8	1200 mm / 47.244 " with division bar	600 mm / 23.622 "	3	43322
KDR-BMP 1200/600 for right section	TS 8	1200 mm / 47.244 " with division bar	600 mm / 23.622 "	3	43324

* in case both fields of the enclosure are equipped, 2 complete gland plates are necessary.