

KDR-BES-U

Universal Brush Strip for Enclosures



Edge protection trim (100m)
Order No. 99152

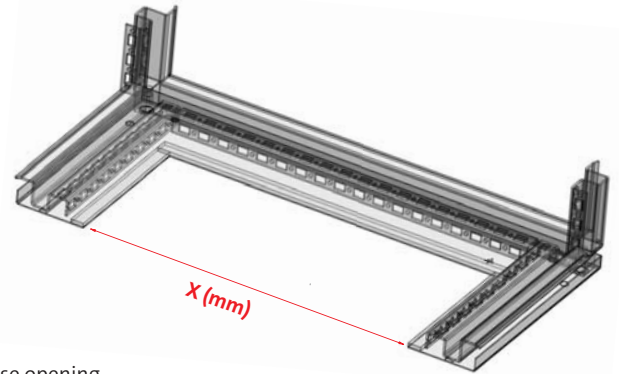
Brush Strips in Your Required Length (up to 1.500 mm)

Product Description

Cable pass-through brush strip for enclosure bases or individual cut-outs on cabinets, enclosures, panels, server racks or machine walls.

Due to the innovative and universal clamp strip the brush can also be assembled in a 90° angle, e.g. on bent sheet metal. Suitable for wall thickness 1.5 - 2 mm or 2 - 3 mm. Brush may be removed from the profile at any time and remounted using other mounting options.

The KDR-BES-U brush strip is adaptable to almost any enclosure or cabinet type on the market. The standard gland plates included in the enclosure delivery can be used for assembly. They do not have to be changed!



X (mm) = sight size of base opening

Order numbers (ex.):

For sheet thickness 1.5 - 2 mm:
X = 999 mm --> Order No. 58210.0999

NEW

For sheet thickness 2 - 3 mm:
X = 999 mm --> Order No. 58225.0999

(X max. = 1500 mm)

Scope of delivery:

1x KDR-BES-U (clamp strip + brush)

Advantages & Benefits

- Fast, simple and tool-free mounting
- Original enclosure gland plates can be used
- Three mounting types possible
- Brush may be remounted at any time using other mounting options
- Available in any custom length up to 1.500 mm

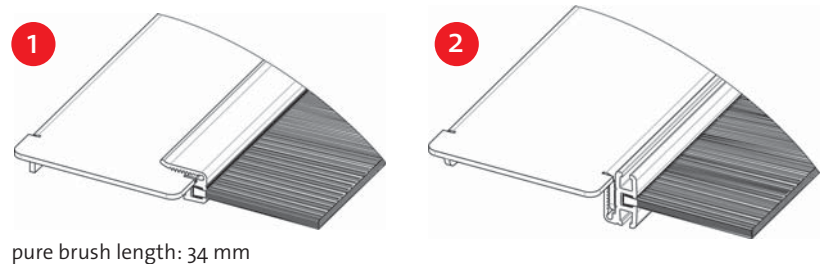
Specifications

Material clamp strip	Aluminum
Material backing strips	Metal, galvanized
Material bristles	Polyamide (PA)
For sheet thickness	1.5 - 2 mm / 2 - 3 mm
Operating temperature	-20°C to +90°C
Properties	-4°F to +194°F
	Halogen free, silicone free

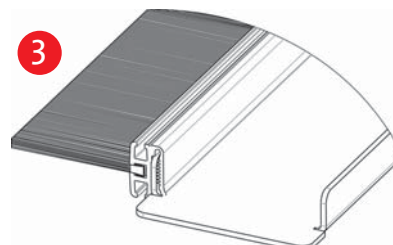
Accessories

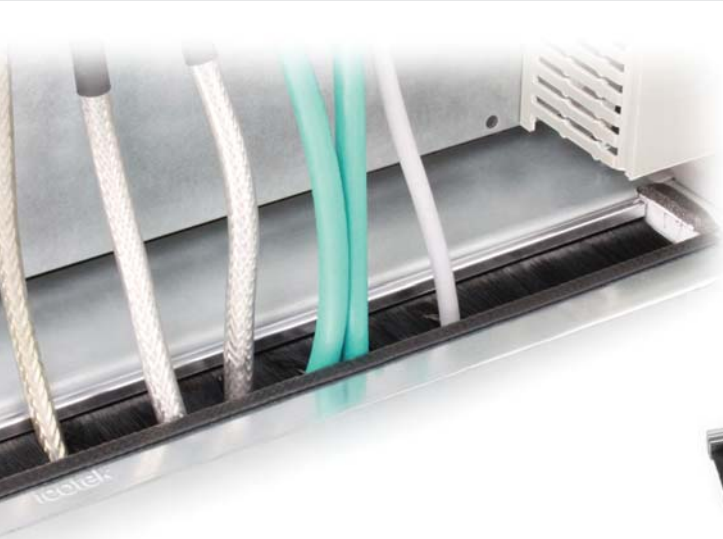
ZL Strain relief plates 98 - 102

KDR-BES-U Mounting Options



pure brush length: 34 mm





KDR-BES-U

Brush Strip for Gland Plates
Rittal VX25/TS 8 & Hoffman PROLINE G2

Type	Enclosure type	Enclosure width	Brush strip length	Order no.	PU
NEW KDR-BES-U for Rittal VX25 enclosures					
KDR-BES-U-VX25-600	Rittal VX25	600 mm / 23.622 "	452 mm / 17.795 "	58225.0452	1
KDR-BES-U-VX25-800	Rittal VX25	800 mm / 31.496 "	652 mm / 25.669 "	58225.0652	1
KDR-BES-U-VX25-1000	Rittal VX25	1000 mm* / 39.37 " with division bar	402 mm / 15.827 "	58225.0402	1
KDR-BES-U-VX25-1200	Rittal VX25	1200 mm* / 47.244 " with division bar	502 mm / 19.764 "	58225.0502	1
KDR-BES-U for Rittal TS 8 enclosures					
KDR-BES-U-TS8-600	Rittal TS 8	600 mm / 23.622 "	435 mm / 17.126 "	58210.0435	1
KDR-BES-U-TS8-800	Rittal TS 8	800 mm / 31.496 "	635 mm / 25 "	58210.0635	1
KDR-BES-U-TS8-1000	Rittal TS 8	1000 mm* / 39.37 " with division bar	397 mm / 15.63 "	58210.0397	1
KDR-BES-U-TS8-1000	Rittal TS 8	1000 mm / 39.37 " without division bar	835 mm / 32.874 "	58210.0835	1
KDR-BES-U-TS8-1200	Rittal TS 8	1200 mm* / 47.244 " with division bar	495 mm / 19.488 "	58210.0495	1
KDR-BES-U for Hoffman PROLINE G2 enclosures					
KDR-BES-U-HG2-600	Hoffman PROLINE G2	600 mm / 1200 mm*	362 mm	58210.0362	1
KDR-BES-U-HG2-800	Hoffman PROLINE G2	800 mm	562 mm	58210.0562	1
KDR-BES-U-HG2-1000	Hoffman PROLINE G2	1000 mm	762 mm	58210.0762	1
Edge protection trim	universal	Clamping range 1-2 mm		99152	100 m

* in case both fields of the enclosure are equipped, 2 complete gland plates are necessary.