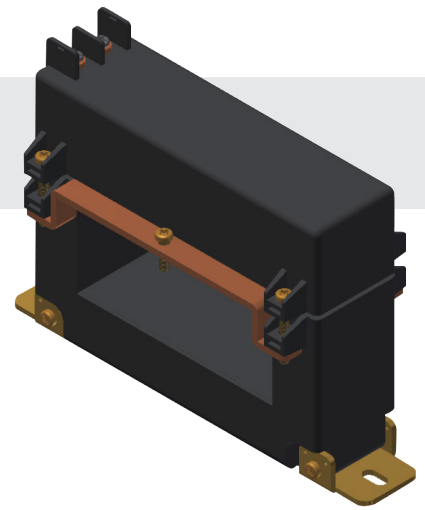


- 4kV - 1 min Withstanding Voltage
- 50/60Hz Frequency
- 1.15kV Insulation Voltage
- 40 Overcurrent Strength

# KBC Series

Split-Type Current Transformer



## Ordering Information

KBC - 03 S , 3.0 Class , 5 VA , 100~150/5 A

①      ②      ,      ③           ④           ⑤

①		②	③	④	⑤		Dimension	
Type			Class	VA	Primary	Secondary		
Meter Type	03	S (With Support) or None (Without Support)	3.0 or 1.0	5	100~150	5 or 1		
				5	200~300			
				15	350~600			
Relay type			5P5 or 5P10	2.5	100~150			
				2.5	200~300			
				5	350~600			
Meter Type	06		S (With Support)	1.0	5	400~600	5 or 1	
					15	750~1500		
Relay type				5P10	2.5	400~600		
					5	750~1500		
Meter Type	05		None (Without Support)	1.0	5	200~300	5 or 1	
					15	400~1200		
Relay type		5P10		2.5	300~500			
				5	600~1200			
Meter Type	12	None (Without Support)	1.0	5	400	5 or 1		
				15	500~2000			
Relay type			5P10	2.5	400~600			
				5	750~2000			