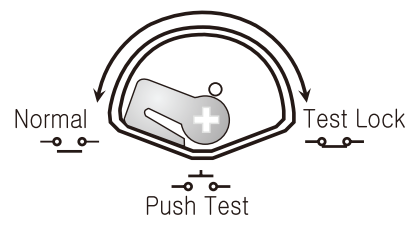
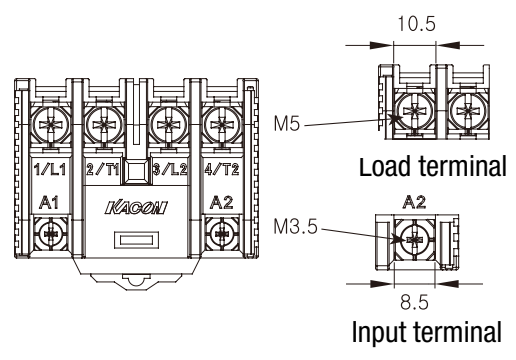
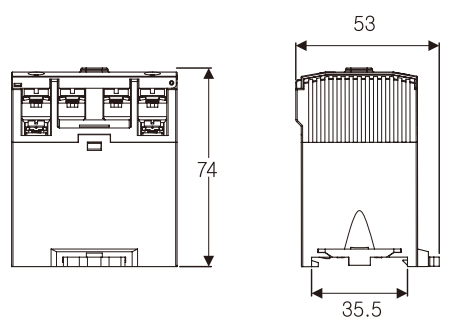
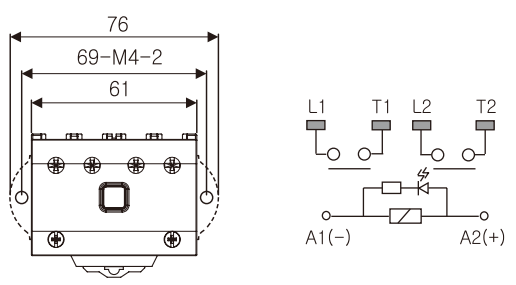


K750 Series

Heavy Duty Relays



Dimensions (unit: mm)



Specifications

Part Numbers	DC	K750-2A-12VDC	K750-2A-24VDC
	AC	K750-2A-110VAC K750-2A-220VAC	
Contact	Configuration	2N/C or 2N/O	
	Material	Tri-Composite Silver Alloy	
	Maximum Contact	100mΩ	
	Rated Current	30A at 30VDC	40A at 250VAC
	Max. Switching Current	40A	
	Min. Switching requirement	100mA 5VDC	
Coil Spec.	Coil Voltage	12VDC, 24VDC 100/110VAC 50/60Hz, 220/240VAC 50/60Hz	
	Coil consumption	DC: approx. 1.9W AC: 1.8-27VA	
	Minimum Pick-up voltage	80% of nominal voltage	
	Maximum Dropout voltage	DC Coil: 10% of rated voltage AC Coil: 30% of rated voltage	
General Info.	Operating Time	30ms	
	Dropout time	30ms	
	Insulation resistance	100MΩ	
	Dielectric Strength	Between Contact(2a): 2,000Vrms 1Min.	
		Between Contact & Coil: 4,000Vrms 1Min.	
	Mechanical life	1,000,000 operations	
	Electrical life	100,000 operations	
	Vibration resistant	Malfunction 10-55Hz dual amp:1.0mm Destruction 10-55Hz dual amp:1.5mm	
	Ambient temperature	-40 ~ 60°C at non freezing	
	Ambient humidity	10% ~ 80% RH	

Terminal Specifications

	LOAD 2a	INPUT
Terminal	8.0 - 5.0	2.0 - 3.5
Screw	M5.0	M3.5
Torque (MAX/N.m)	2.00	0.8

Test Button

Push test	Momentary
Test lock	Contact ON
Normal	Contact OFF

Tower Lights

Beacon Lights

LED Indicators Pilot Lamps

Buzzer Alarms

Pushbutton Switches

Limit Switches

Foot Switches

SSR

Relay & Sockets

Relay Terminal Blocks

Terminal Blocks

Fuse Holders

Enclosures