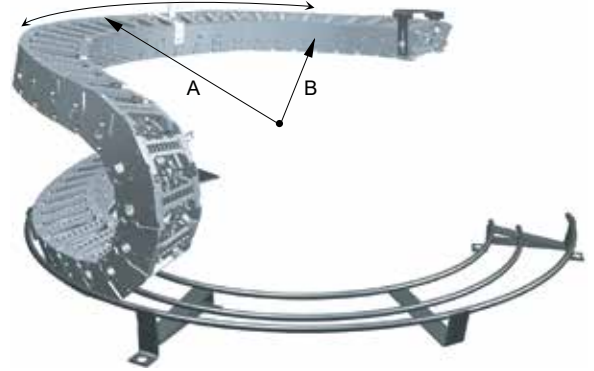


Ordering Information

HX 3553 . 075 . R 90 - (XXXmm)
 ① ② ③ Length

(Unit : mm)

① Helix Chain	② Inner Width	③ Bending Radius	Pitch	A	B
3553	75	90 140	53	418	315
6075	100	110 135 185 235	75	608	468



Specifications

Material	Polyamide with reinforced glass fiber: UL94-HB
Speed	When the rotation speed up to 4m/sec.
Temperature	-30°C~+130°C
Certificate	CE, RoHS

Calculation of required Number of Links

$$N = \left(\frac{\pi \times X \text{ Or } X \times B}{360^\circ \times X \times P} \right) + \frac{Lp}{P}$$

N : Number of Links Or : Outer Radius B : Rotation angle P : Chain pitch Lp : $\pi R + 6p$

Guide Channel

