



HR707N Series

Octal Base Relays



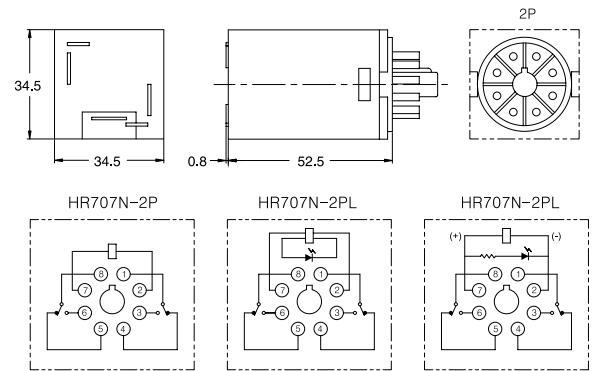
- 707 Series are designed with octal base, silver alloy contact, LED indicator, high reliability and long life
- Available Surge protection type to protect malfunction of PLC, electronic devices from back EMF

Specifications

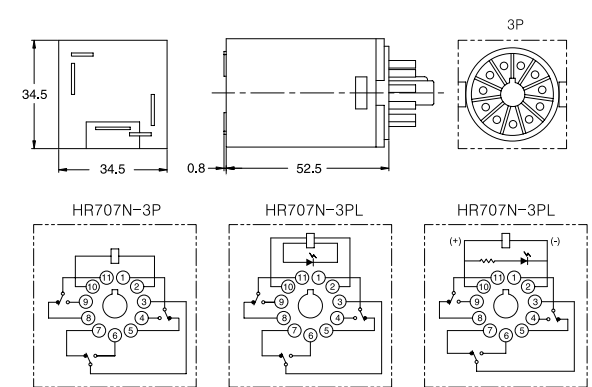
Part Numbers	Standard type	HR707-2PL-220VAC HR707-2PL-110VAC HR707-2PL-24VAC HR707-2PL-110VDC HR707-2PL-24VDC HR707-2PL-12VDC	HR707-3PL-220VAC HR707-3PL-110VAC HR707-3PL-24VAC HR707-3PL-110VDC HR707-3PL-24VDC HR707-3PL-12VDC
	Surge protection type	HR707-2PLD-12VDC HR707-2PLD-24VDC HR707-2PLC-110VAC HR707-2PLC-220VAC	HR707-3PLD-12VDC HR707-3PLD-24VDC HR707-3PLC-110VAC HR707-3PLC-220VAC
Contact	Configuration	DPDT (2NO + 2NC)	3PDT (3NO + 3NC)
	Material	Silver alloy (24K gold plate)	
	Max. Switching current	10A	
	Rated Max. Resistive Load	10A at 250VAC	
	Max. Switching Voltage	250VDC/ 250VAC	
Coil Spec.	Min. Switching requirement	100mA 5VDC	
	Voltage range	12VDC to 110VDC, 12VAC to 240VAC	
	Power consumption	AC: Approx. 2.4VA, DC: Approx. 1.6W	
	Minimum operating voltage	80% of the rated coil voltage	
	Max. Dropout voltage	DC Coil: 10% of rated voltage AC Coil: 30% of rated voltage	
General Info.	Operating Time	30ms	
	Dropout time	20ms	
	Insulation resistance	100MΩ at 500V DC	
	Dielectric Strength	Between Contact: 1,000 Vrms 1Min.	
		Between Contact & Coil: 1,500Vrms 1Min.	
	Mechanical life	1,000,000 operations	
	Electrical life	100,000 operations	
	Vibration resistant	10~55Hz at double amplitude of 1.5mm	
	Ambient temperature	-10 ~ +40°C (-14°F ~ 104°F) at non freezing	
	Ambient humidity	35% ~ 80% RH	
Weight	75g (2.6oz)		
Socket	Socket part number	KF083A (DIN Rail)	KF113A (DIN Rail)
	Terminal Tightened Torque	0.5N • m (5.10kgf • cm)	

Dimensions (unit: mm)

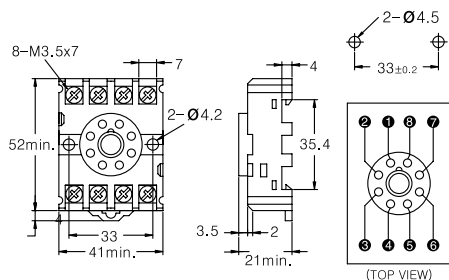
HR707N-2P Series



HR707N-3P Series



KF083A Socket



KF113A Socket

