



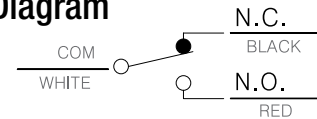
HD 2/3/5 Series

Medium Duty Foot Switches

Specifications

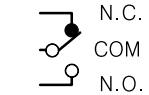
	HD3	HD3N	HD3NX	HD3LX	HD3NS	HD5NX	HD5NS	HD202P
Contact	1NO + 1NC				2NO + 2NC			
Regular Current	15A 125/250/380VAC							
Built-in Switch	Z type micro switch (CE Certified)							
Body Material	Aluminum Die casting							
Cable	1/2 inch tap flexible cable (zinc connector 10~16)							
Degree of Protection	IP65				IP54			

Contact Diagram



SWITCH1

BLACK
YELLOW
RED



SWITCH2

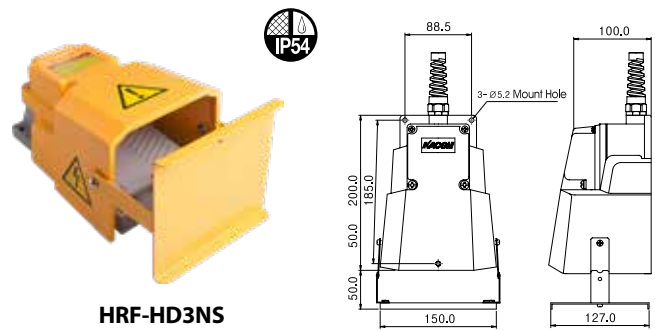
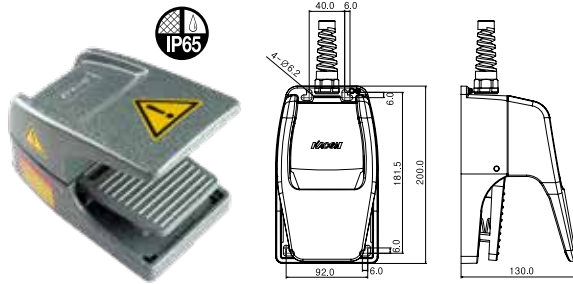
BLUE
ORANGE
GREEN



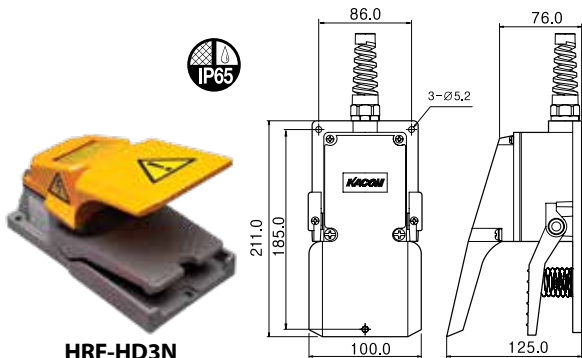
YELLOW · GREEN

Dimensions

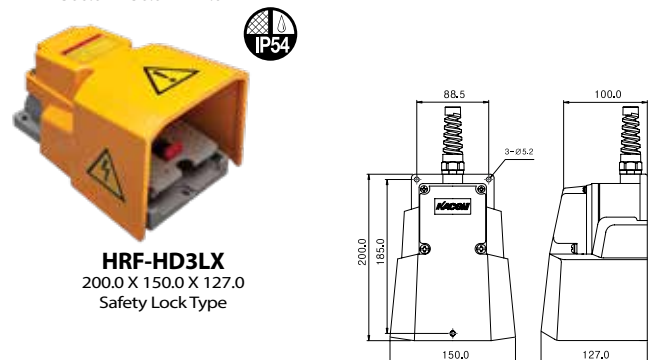
(Unit: mm)



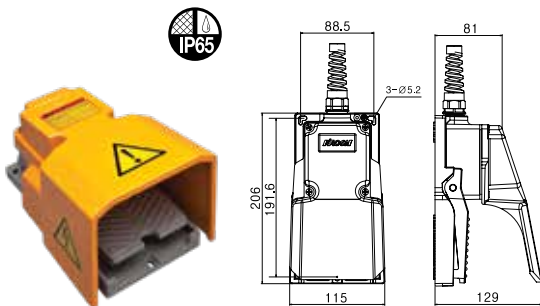
HRF-HD3NS
300.0 X 150.0 X 127.0



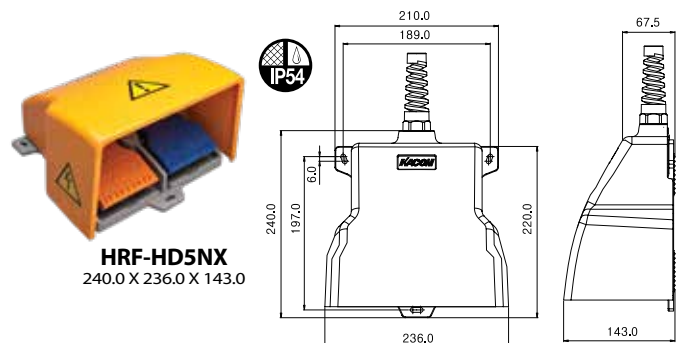
HRF-HD3N
206.0 X 115.0 X 129.0



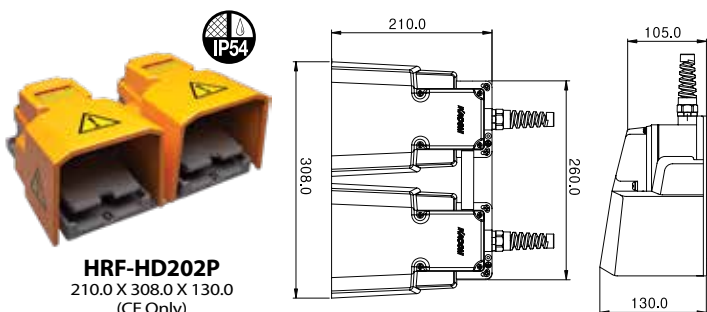
HRF-HD3LX
200.0 X 150.0 X 127.0
Safety Lock Type



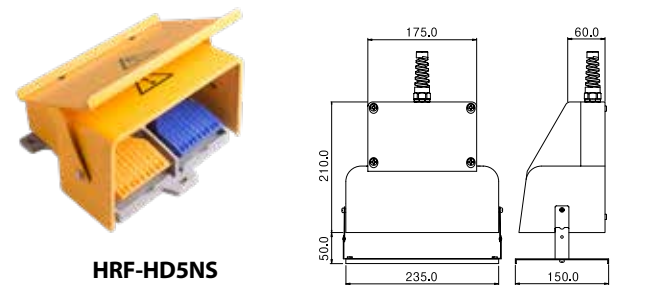
HRF-HD3NX
200.0 X 150.0 X 127.0



HRF-HD5NX
240.0 X 236.0 X 143.0



HRF-HD202P
210.0 X 308.0 X 130.0
(CE Only)



HRF-HD5NS
290.0 X 236.0 X 143.0

Order product