

## Plastic hoses for pneumatic



- Different versions
- PUR - thereby higher flexibility
- PA for higher pressure range
- PTFE for higher temperatures
- PE for standard applications

Synthetic hoses made from polyurethane (PUR), polyamide (PA soft) and polyethylene are durable at room temperature against water and oil. They are especially suitable for compressed air piping. They are available in 50 and 100 meter rolls.

The life span depends on the intensity of the ambient temperature and the operational pressure.

PTFE-hoses are suitable for high temperatures and against aggressive and respectively corrosive mediums; food industry suitable; only available in 50 meter rolls.

Technical data – bench mark for load factor			
Temperature °C	Load factor of the permitted operational pressure (%) in relation to the Temperature (°C)		
	PUR	PA	PE
20	100	100	100
40	72	68	72
60	55	51	-
80	-	38	-
90	-	35	-
95	-	33	-

Technical data – bench mark for load factor	
Temperature °C	Pressure factor %
	PTFE
20	100
50	50
100	35
150	30
200	10

Other versions on request

## Ordering chart, PUR synthetic hose, (Shore 98 ± 2), temperature range -40 °C to +70 °C

Dimensions D <sub>A</sub> , D <sub>P</sub> , W <sub>D</sub>	max. Operation pressure at 23 °C [bar]	min. curvature radius R <sub>min</sub> [mm]	Dimensions [g/m]	Roll length 50 m		Roll length 100 m	
				Article no. Colour blue	Article no. Colour black	Article no. Colour blue	Article no. Colour black
4 / 2.5 / 0.75	13	20	11.0	780630	780631	771860	771863
6 / 4 / 1	11	25	19.0	780632	780633	771287	771286
8 / 6 / 1	8	35	27.0	780634	780635	771288	771864
10 / 7.5 / 1.25	8	40	34.0	780636	780637	771861	771865
12 / 9 / 1.50	7	45	41.8	-	780639	771862	771866

Tolerance: +0.05 to -0.1 mm ±0.08 mm permissible curvature radius ≥ R<sub>min</sub>

## Ordering chart, PA 12 flexible, temperature range -40 °C to +90 °C

Dimensions D <sub>A</sub> , D <sub>P</sub> , W <sub>D</sub>	max. Operation pressure at 20 °C [bar]	min. curvature radius R <sub>min</sub> [mm]	Dimensions [g/m]	Roll length 50 m			Roll length 100 m		
				Article no. Colour blue	Article no. Colour natural	Article no. Colour black	Article no. Colour blue	Article no. Colour natural	Article no. Colour black
4 / 2.7 / 0.65	30	20	10	780640	780642	780641	771867	771876	771872
6 / 4 / 1	27	25	16	780643	780645	780644	771868	771296	771295
8 / 6 / 1	15	30	23	780646	780648	780647	771869	771297	771873
10 / 8 / 1	15	60	30	780649	780651	780650	771870	771877	771874
12 / 9 / 1.50	19	85	36	780652	780654	780653	771871	771878	771875

Tolerance: +0.05 to -0.1 mm ±0.08 mm permissible curvature radius ≥ R<sub>min</sub>

## Ordering chart, LDPE synthetic hose, temperature range -10 °C to +40 °C

Dimensions D <sub>A</sub> , D <sub>P</sub> , W <sub>D</sub>	max. Operation pressure at 20 °C [bar]	min. curvature radius R <sub>min</sub> [mm]	Dimensions [g/m]	Roll length 50 m			Roll length 100 m		
				Article no. Colour blue	Article no. Colour natural	Article no. Colour black	Article no. Colour blue	Article no. Colour natural	Article no. Colour black
4 / 2 / 1	20	20	9	780655	780657	780656	771879	771886	771881
6 / 4 / 1	13	30	14	780658	780660	780659	771289	771290	771882
8 / 6 / 1	8	40	20	780661	780663	780662	771291	771292	771883
10 / 8 / 1	6	60	26	780664	780666	780665	771293	771294	771884
12 / 10 / 1	5	85	31	780667	780669	780668	771880	771887	771885

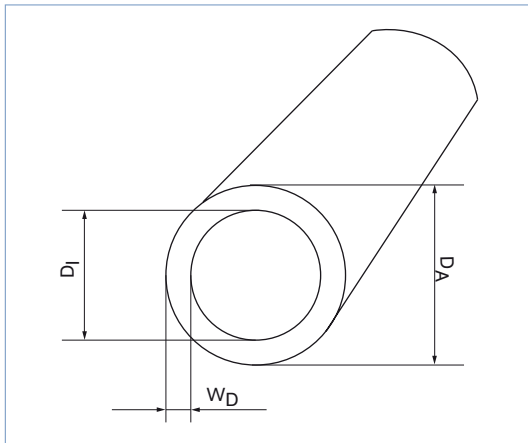
Tolerance: D<sub>A</sub> ±0.1 mm; ±0.1 mm permissible curvature radius ≥ R<sub>min</sub>

## Ordering chart, PTFE hose, temperature range -196 °C to +250 °C

Dimensions D <sub>A</sub> , D <sub>P</sub> , W <sub>D</sub>	max. Operation pressure at 23 °C [bar]	min. curvature radius R <sub>min</sub> [mm]	Dimensions [g/m]	Roll length 50 m
				Article no. Colour natural
4 / 2 / 1	25	20	2.05	788879
6 / 4 / 1	18	33	3.43	788880
8 / 6 / 1	14	47	4.80	788881
10 / 8 / 1	12	60	6.16	788882
12 / 10 / 1	10	72	7.55	788883

Tolerance: ±0.2 mm

## Dimensions



To find your nearest Bürkert facility, click on the orange box → [www.burkert.com](http://www.burkert.com)

In case of special application conditions,  
please consult for advice.

Subject to alterations  
© Christian Bürkert GmbH & Co. KG

1807/4\_EU-en\_00895226