



## Air preparation units

- Modular configuration
- Compact design
- Simple mounting
- Relieving

DTS 1000194817 EN Version: H Status: RL (released | freigegeben | valide) printed: 12.07.2018

The service equipment for compressed air is configured as required for each of the following individual devices:

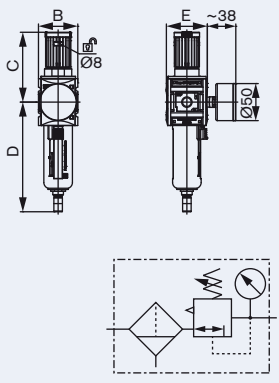
- Filter drain
- Diaphragm pressure regulator
- Micro lubricator
- Pressure gauge
- Shut off valve
- Soft Start valve
- Stop valve
- Fine filter
- Activated carbon filter

Technical Data	
<b>Body material</b>	PlasticGrivory GV-6H with 60 % glass fibre
<b>Process connection</b> Size 0-1/8", 1,2,4 Size 0-1/4"	Zinc die-cast PlasticGrivory GV-6H with 60 % glass fibre
<b>Medium</b>	Compressed air, neutral gases
<b>Media temperature</b>	0 to +50 °C at 10 barg
<b>Ambient temperature</b>	0 to +50 °C
<b>Max. supply pressure</b> Size 0 Size 1,2,4	12 barg 16 barg
<b>Control range</b>	0.5 - 10 bar
<b>Size 0</b>	Connection 1/8" and 1/4"
<b>Size 1</b>	Connection 1/4" and 3/8"
<b>Size 2</b>	Connection 3/8" and 1/2"
<b>Size 4</b>	Connection 3/4" and 1"
<b>ATEX</b> <b>Zone 2, Category 3G,</b> EX-Group IIA, IIB and IIC <b>Zone 22, Category 3D</b> <b>Zone 1, Category 2G,</b> EX-Group IIA, IIB and IIC <b>Zone 21, Category 2D</b> EX Group IIIA and IIIB <b>Zone 22, Category 3D</b> EX-Group IIIA and IIIB	All equipment with size 1.2 and 4 except electrically operated valves
<b>Standard filter sizes</b> Filter regulator Filter Fine filter Activated carbon filter	5 µm 5 µm 0.01 µm, remaining oil content <0.01 mg/m <sup>3</sup> Remaining oil content <0.005 mg/m <sup>3</sup>

Other versions on request.

Ordering chart, Filter regulator

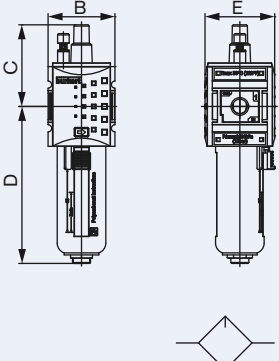
Without pressure gauge and mounting parts



Built size	Port size	B [mm]	C [mm]	D [mm]	E [mm]	Qmax. at P=6.3 bar and Δp=1 bar, l/min.	Article no.			
							G-threaded connection with half auto. condensate drain	G-threaded connection with auto. condensate drain	NPT-threaded connection with half auto. condensate drain	NPT-threaded connection with auto. condensate drain
0	G 1/8"	43.0	63.0	105.0	48.0	1000	771919	772193	n/a	n/a
0	G 1/4"	43.0	63.0	105.0	48.0	1000	771920	772194	n/a	n/a
1	G 1/4"	52.0	95.5	129.5	54.0	2200	771921	772195	772723	772729
1	G 3/8"	52.0	95.5	129.5	54.0	2600	771922	772196	n/a	n/a
2	G 3/8"	63.0	110.0	147.0	67.0	4300	771923	772197	n/a	n/a
2	G 1/2"	63.0	110.0	147.0	67.0	5200	771924	772110	772726	772732
4	G 3/4"	85.0	137.0	192.0	93.0	14000	771925	772198	772727	772733
4	G 1"	85.0	137.0	192.0	93.0	14000	771926	772199	772728	772734

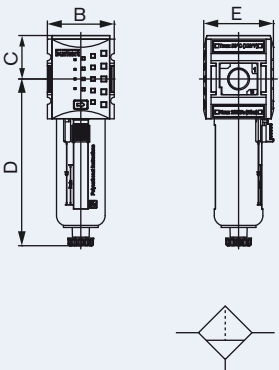
Ordering chart, Micro lubricator

Oil type CL 32, acc. to DIN 51517 - ISO VG 32



Built size	Port size	B [mm]	C [mm]	D [mm]	E [mm]	Qmax. at P=6 bar and Δp=1 bar, l/min.	Tank capacity lubricator cm <sup>3</sup>	Article no. G-threaded connection
0	G 1/8"	43.0	58.0	98.0	48.0	1400	35	771927
0	G 1/4"	43.0	58.0	98.0	48.0	1400	35	771928
1	G 1/4"	52.0	62.5	123.0	54.0	2800	40	771929
1	G 3/8"	52.0	62.5	123.0	54.0	2800	40	771930
2	G 3/8"	63.0	69.7	137.5	67.0	8000	80	771931
2	G 1/2"	63.0	69.7	137.5	67.0	8000	80	771932
4	G 3/4"	85.0	87.9	182.8	93.0	13000	181	771933
4	G 1"	85.0	87.9	182.8	93.0	13000	181	771934

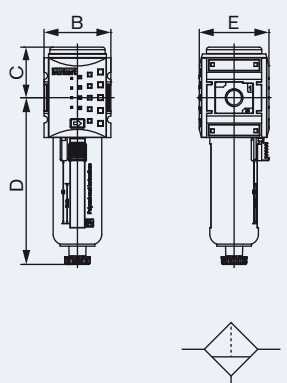
Ordering chart, Filter 5 μm



Built size	Port size	B [mm]	C [mm]	D [mm]	E [mm]	Qmax. at P=6 bar and Δp=1 bar, l/min.	Article no.	
							G-threaded connection with half auto. condensate drain	G-threaded connection with auto. condensate drain
0	G 1/8"	43.0	27.0	105.0	48.0	950	771935	772200
0	G 1/4"	43.0	27.0	105.0	48.0	950	771936	772201
1	G 1/4"	52.0	34.0	130.0	54.0	2200	771937	772202
1	G 3/8"	52.0	34.0	130.0	54.0	2400	771938	772203
2	G 3/8"	63.0	42.5	147.0	67.0	3500	771939	772204
2	G 1/2"	63.0	42.5	147.0	67.0	3500	771940	772205
4	G 3/4"	85.0	58.0	192.0	93.0	8000	771941	772206
4	G 1"	85.0	58.0	192.0	93.0	8200	771942	772207

Ordering chart, Fine filter 0.01 µm

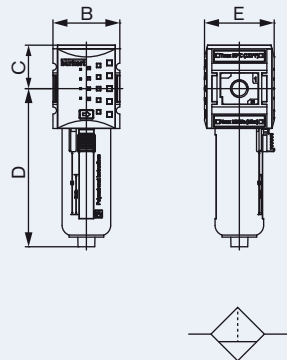
With semi-automatic condensate drain



Built size	Port size	B [mm]	C [mm]	D [mm]	E [mm]	Qmax. at P=6 bar and Δp=1 bar, l/min.	Article no. G-threaded connection
0	G 1/8"	43.0	27.0	105.0	48.0	350	771943
0	G 1/4"	43.0	27.0	105.0	48.0	350	771944
1	G 1/4"	52.0	38.0	130.5	54.0	350	771945
1	G 3/8"	52.0	38.0	130.5	54.0	350	771946
2	G 3/8"	63.0	48.0	147.0	67.0	500	771947
2	G 1/2"	63.0	48.0	147.0	67.0	500	771948
4	G 3/4"	85.0	63.0	192.0	93.0	1500	771949
4	G 1"	85.0	63.0	192.0	93.0	1500	771950

Ordering chart, Activated carbon filter

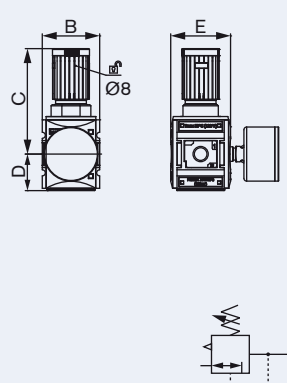
Remaining oil content <0.005 mg/m<sup>3</sup>



Built size	Port size	B [mm]	C [mm]	D [mm]	E [mm]	Qmax. at P=6 bar and Δp=1 bar, l/min.	Article no. G-threaded connection
0	G 1/8"	43.0	27.0	98.0	48.0	600	771951
0	G 1/4"	43.0	27.0	98.0	48.0	600	771952
1	G 1/4"	52.0	34.0	124.0	54.0	650	771953
1	G 3/8"	52.0	34.0	124.0	54.0	650	771954
2	G 3/8"	63.0	43.0	141.0	67.0	1300	771955
2	G 1/2"	63.0	43.0	141.0	67.0	1300	771956
4	G 3/4"	85.0	58.0	184.0	93.0	2000	771957
4	G 1"	85.0	58.0	184.0	93.0	2000	771958

Ordering chart, Diaphragm pressure regulator

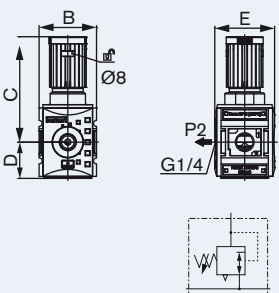
Without pressure gauge and mounting parts



Built size	Port size	B [mm]	C [mm]	D [mm]	E [mm]	Qmax. at P=6.3 bar and Δp=1 bar, l/min.	Article no. G-threaded connection
<b>Size 0.1.2 without air consumption</b>							
0	G 1/8"	43.0	63.0	25.0	48.0	1000	771959
0	G 1/4"	43.0	63.0	25.0	48.0	1000	771960
1	G 1/4"	52.0	95.5	33.0	54.0	2200	771961
1	G 3/8"	52.0	95.5	33.0	54.0	2600	771962
2	G 3/8"	63.0	110.0	39.5	67.0	4300	771963
2	G 1/2"	63.0	110.0	39.5	67.0	5100	771964
<b>Size 4 with air consumption mx. 1.5 l/min</b>							
4	G 3/4"	85.0	137.0	54.0	93.0	14000	771965
4	G 1"	85.0	137.0	54.0	93.0	14000	771966

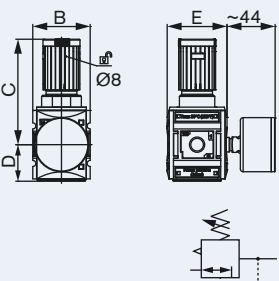
Ordering chart, Diaphragm pressure regulator with continuous pressure supply

Without pressure gauge and mounting parts

	Built size	Port size	B [mm]	C [mm]	D [mm]	E [mm]	Qmax. at P=6.3 bar and Δp=1 bar, l/min.	Article no. G-threaded connection
	0	G 1/4"	43.0	68.0	25.0	48.0	1000	771967
1	G 1/4"	52.0	95.5	32.5	54.0	2200	771968	
1	G 3/8"	52.0	95.5	32.5	54.0	2600	771969	
2	G 3/8"	63.0	110.0	39.5	67.0	4300	771970	
2	G 1/2"	63.0	110.0	39.5	67.0	5000	771971	

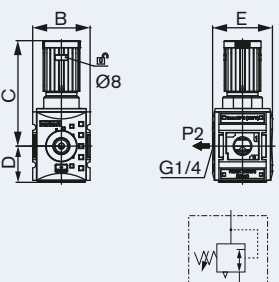
Ordering chart, Diaphragm precision pressure regulator

Without pressure gauge and mounting parts, with air consumption 2.6 l/min at P2 = 6 bar

	Built size	Port size	B [mm]	C [mm]	D [mm]	E [mm]	Qmax. at P=6.3 bar and Δp=1 bar, l/min.	Article no. G-threaded connection
	1	G 1/4"	52.0	95.5	33.0	54.0	2200	771972
1	G 3/8"	52.0	95.5	33.0	54.0	2700	771973	
2	G 3/8"	63.0	110.0	39.5	67.0	4300	771974	
2	G 1/2"	63.0	110.0	39.5	67.0	5000	771975	

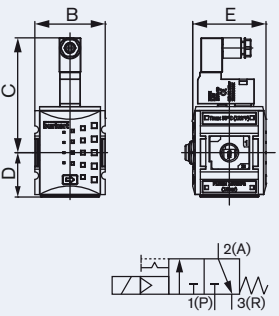
Ordering chart, Diaphragm precision pressure regulator with continuous pressure supply

Without pressure gauge and mounting parts, with air consumption 2.6 l/min at P2 = 6 bar

	Built size	Port size	B [mm]	C [mm]	D [mm]	E [mm]	Qmax. at P=6.3 bar and Δp=1 bar, l/min.	Article no. G-threaded connection
	1	G 1/4"	52.0	95.5	32.5	54.0	2200	771976
1	G 3/8"	52.0	95.5	32.5	54.0	2700	771977	
2	G 3/8"	63.0	110.0	39.5	67.0	4300	771978	
2	G 1/2"	63.0	110.0	39.5	67.0	5000	771979	

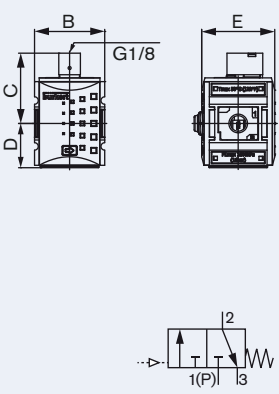
Ordering chart, 3/2 way control valve

Electric operated (not ATEX)

	Built size	Port size	B [mm]	C [mm]	D [mm]	E [mm]	Qmax. at P=6 bar and Δp=1 bar, l/min.	Article no. 24 V DC	Article no. 230 V AC
	0	G 1/8"	43.0	93.0	36.6	48.0	2000	771980	771988
0	G 1/4"	43.0	93.0	36.6	48.0	2000	771981	771989	
1	G 1/4"	52.0	84.5	32.8	54.0	2000	771982	771990	
1	G 3/8"	52.0	84.5	32.8	54.0	2000	771983	771991	
2	G 3/8"	63.0	93.5	56.5	67.0	4300	771984	771992	
2	G 1/2"	63.0	93.5	56.5	67.0	4300	771985	771993	
4	G 3/4"	85.0	110.9	102.3	93.0	12500	771986	771994	
4	G 1"	85.0	110.9	102.3	93.0	12500	771987	771995	

Ordering chart, 3/2 way control valve

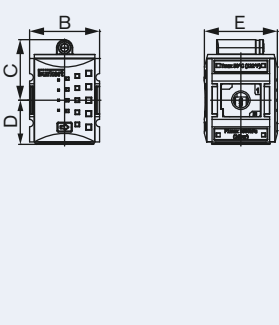
Pneumatic operated



Built size	Port size	B [mm]	C [mm]	D [mm]	E [mm]	Qmax. at P=6 bar and Δp=1 bar, l/min.	Article no.
0	G 1/8"	43.0	60.1	36.6	48.0	2000	772000 <a href="#">🛒</a>
0	G 1/4"	43.0	60.1	36.6	48.0	2000	772001 <a href="#">🛒</a>
1	G 1/4"	52.0	52.0	33.0	54.0	2000	772002 <a href="#">🛒</a>
1	G 3/8"	52.0	52.0	33.0	54.0	2000	772003 <a href="#">🛒</a>
2	G 3/8"	63.0	60.8	56.5	67.0	4300	772004 <a href="#">🛒</a>
2	G 1/2"	63.0	60.8	56.5	67.0	4300	772005 <a href="#">🛒</a>
4	G 3/4"	85.0	78.2	67.0	93.0	12500	772006 <a href="#">🛒</a>
4	G 1"	85.0	78.2	67.0	93.0	12500	772007 <a href="#">🛒</a>

Ordering chart, Soft start valve

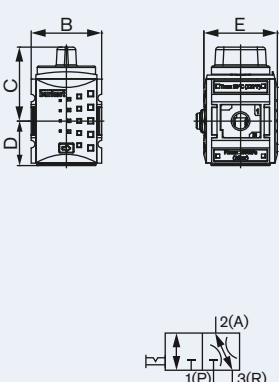
Filling time adjustable



Built size	Port size	B [mm]	C [mm]	D [mm]	E [mm]	Qmax. at P=6 bar and Δp=1 bar, l/min.	Article no. G-threaded connection
0	G 1/8"	48.0	53.0	28.0	48.0	1800	772008 <a href="#">🛒</a>
0	G 1/4"	48.0	53.0	28.0	48.0	1800	772009 <a href="#">🛒</a>
1	G 1/4"	52.0	45.0	33.0	54.0	1900	772010 <a href="#">🛒</a>
1	G 3/8"	52.0	45.0	33.0	54.0	1900	772011 <a href="#">🛒</a>
2	G 3/8"	63.0	53.5	58.0	67.0	4400	772012 <a href="#">🛒</a>
2	G 1/2"	63.0	53.5	58.0	67.0	4400	772103 <a href="#">🛒</a>
4	G 3/4"	85.0	58.2	54.0	93.0	10000	772014 <a href="#">🛒</a>
4	G 1"	85.0	58.2	54.0	93.0	10000	772015 <a href="#">🛒</a>

Ordering chart, Shut-off ball valve

Lockable with padlock

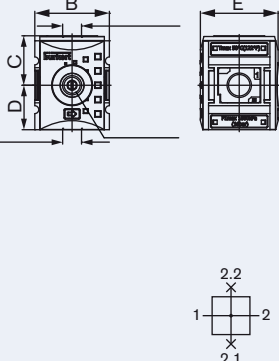


Built size	Port size	B [mm]	C [mm]	D [mm]	E [mm]	Qmax. at P=6 bar and Δp=1 bar, l/min.	Article no. G-threaded connection
0	G 1/8"	43.0	51.0	25.0	48.0	1800	772016 <a href="#">🛒</a>
0	G 1/4"	43.0	51.0	25.0	48.0	1800	772017 <a href="#">🛒</a>
1	G 1/4"	52.0	54.3	33.0	54.0	1900	772018 <a href="#">🛒</a>
1	G 3/8"	52.0	54.3	33.0	54.0	1900	772019 <a href="#">🛒</a>
2	G 3/8"	63.0	70.5	56.5	67.0	5000	772020 <a href="#">🛒</a>
2	G 1/2"	63.0	70.5	56.5	67.0	5000	772021 <a href="#">🛒</a>
4	G 3/4"	85.0	93.7	51.0	93.0	14000	772022 <a href="#">🛒</a>
4	G 1"	85.0	93.7	51.0	93.0	14000	772023 <a href="#">🛒</a>

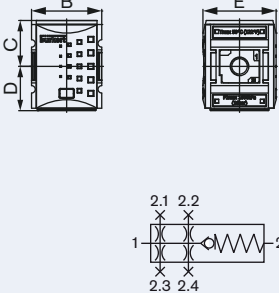
Ordering chart, Distributor

Size	Connection size	Top outlet	Front outlet	Bottom outlet
0	1/4"	1/4"	-	1/4"
0	1/4"	1/4"	-	1/4"
1	1/4"	1/4"	1/4"	1/4"
1	3/8"	1/4"	1/4"	1/4"
2	3/8"	1/4"	3/8"	1/2"
2	1/2"	1/4"	3/8"	1/2"
4	3/4"	3/4"	-	3/4"
4	1"	3/4"	-	3/4"

Ordering chart, Distributor

	Built size	Port size	B [mm]	C [mm]	D [mm]	E [mm]	Qmax. at P=6 bar (1→2) and Δp=1 bar, l/min.	Article no. G-threaded connection
	0	G 1/8"	43.0	28.5	25.0	48.0	2700	772024
0	G 1/4"	43.0	28.5	25.0	48.0	2700	772025	
1	G 1/4"	52.0	34.5	31.0	54.0	2700	772026	
1	G 3/8"	52.0	54.3	31.0	54.0	3600	772027	
2	G 3/8"	63.0	70.5	37.5	67.0	7250	772028	
2	G 1/2"	63.0	70.5	37.5	67.0	7250	772029	
4	G 3/4"	85.0	93.7	51.0	93.0	18000	772030	
4	G 1"	85.0	93.7	51.0	93.0	18000	772031	

Ordering chart, non return valve

	Built size	Port size	B [mm]	C [mm]	D [mm]	E [mm]	Qmax. at P=6 bar (1→2) and Δp=1 bar, l/min.	Article no.
	0	G 1/8"	43.0	27.0	39.0	48.0	800	772032
0	G 1/4"	43.0	27.0	39.0	48.0	800	772033	
1	G 1/4"	52.0	34.0	33.0	54.0	1250	772034	
1	G 3/8"	52.0	34.0	33.0	54.0	1250	772035	
2	G 3/8"	63.0	43.0	37.5	67.0	4500	772036	
2	G 1/2"	63.0	43.0	37.5	67.0	4500	772037	

Ordering chart, Bowl (Polycarbonate)

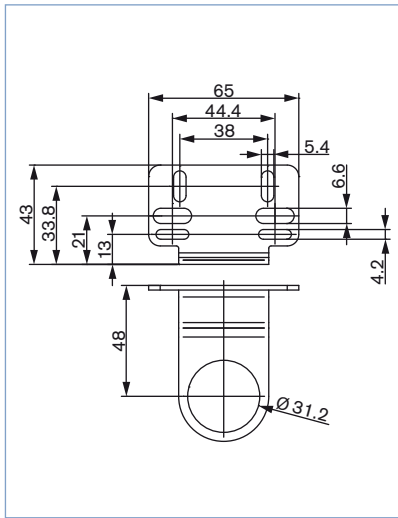
Built size	Port size	Article no. Oil bowl	Article no. with automatic drain	Article no. with semi-automatic drain
0	G 1/8"	772046	771778	772042
0	G 1/4"	772046	771778	772042
1	G 1/4"	772047	771779	772043
1	G 3/8"	772047	771779	772043
2	G 3/8"	772048	772040	772044
2	G 1/2"	772048	772040	772044
4	G 3/4"	772049	772041	772045
4	G 1"	772049	772041	772045

Ordering chart, Metal bowl

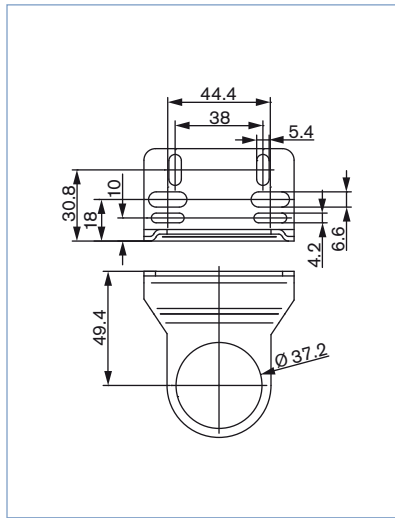
Built size	Port size	Article no. Oil bowl	Article no. with automatic drain	Article no. with semi-automatic drain
0	G 1/8"	772058	772050	772054
0	G 1/4"	772058	772050	772054
1	G 1/4"	772059	772051	772055
1	G 3/8"	772059	772051	772055
2	G 3/8"	772060	772052	772056
2	G 1/2"	772060	772052	772056
4	G 3/4"	772061	772053	772057
4	G 1"	772061	772053	772057

Mounting bracket for control panel mounting, steel galvanized

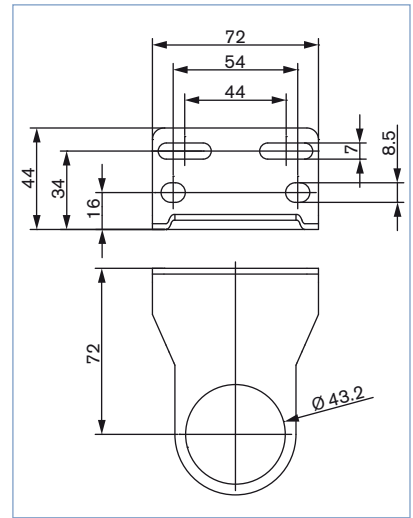
Size 0  
Article no. 772062



Size 1  
Article no. 772063



Size 2  
Article no. 772064

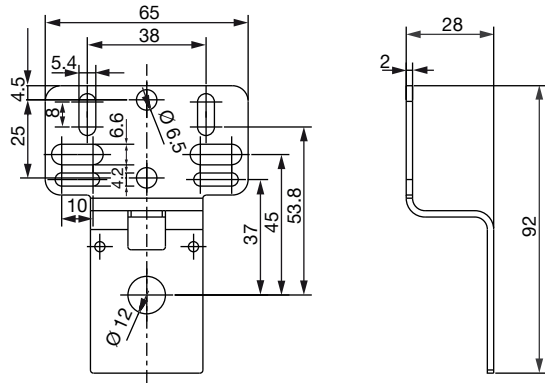


Ordering chart, Control panel nut

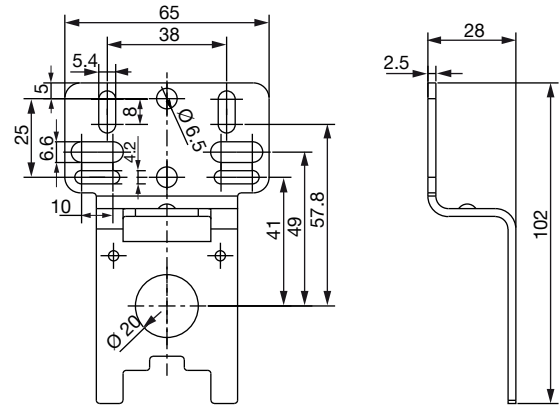
Built size	Thread	Materials	Article no.
0	M30 x 1.5	POM	772065
1	M36 x 1.5	POM+GF	772066
2	M42 x 1.5	POM+GF	772067

Mounting bracket for wall-mounting with 2x screw 3 × 10 with Torx 10IP, steel galvanized

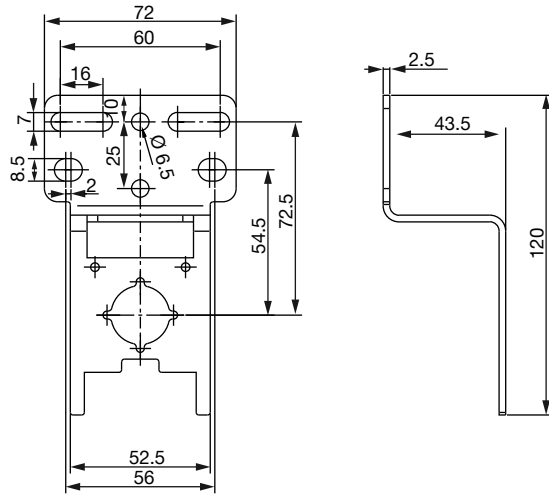
Size 0



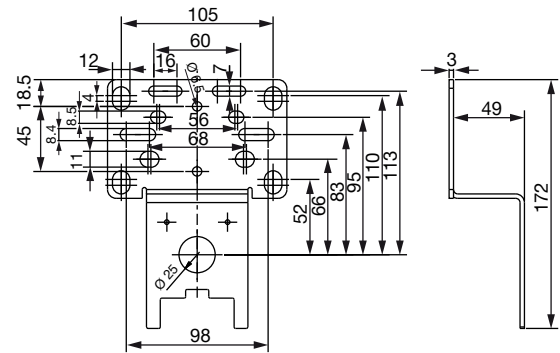
Size 1



Size 2



Size 4



Built size	Article no.
0	772068
1	772069
2	772070
4	772071



### Ordering chart, coupling kit

For connecting of components

	Built size	Article no.
	0	772072
	1	772073
	2	772074
	4	772075

### Ordering chart, coupling kit for wall mounting

For connecting of components, including mounting option for wall mounting

	Built size	Article no.
	0	772076
	1	772077
	2	772078
	4	772079

### Ordering chart, fastening set with process connection

	Built size	Port size	Article no. G Thread	Article no. NPT Thread
	1	1/4"	774069	774072
	2	1/2"	774070	774073
	4	1"	774071	774074

### Ordering chart, replacement filters

Built size	Article no. Filter 5 µm	Article no. Filter 0.01 µm	Article no. Activated carbon filter
0	772080	772085	772089
1	772080	772084	772088
2	772082	772086	772090
4	772083	772087	772091

### Ordering chart Accessories

#### Bourdon tube pressure gauge, 0- 12 bar, 160 psi, TAU001

	Version	Built size	Article no.
	Ø 40 mm, G 1/8"	0	772137
	Ø 50 mm, G 1/4"	1.2	772138
	Ø 50 mm, 1/4" NPT	1.2	772805
	Ø 63 mm, G 1/4"	4	772139

To find your nearest Burkert facility, click on the orange box →

[www.burkert.com](http://www.burkert.com)

In case of special application conditions, please consult for advice.

Subject to alterations  
© Christian Bürkert GmbH & Co. KG

1807/8\_EU-en\_00895231