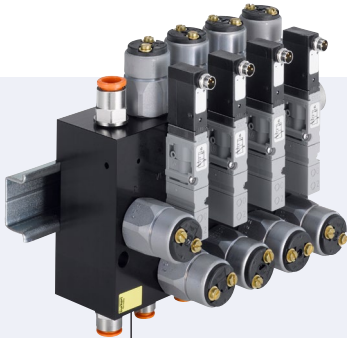
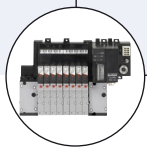


## Redundancy valve block for safety related shut-off function

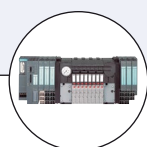


- Redundancy functions possible
- Pressure switch included
- DIN-rail mounting

Type MKRS can be combined with...



**Type 8640**  
Valve island



**Type 8644**  
AirLINE



**Type 6524**  
Valve with a second connection

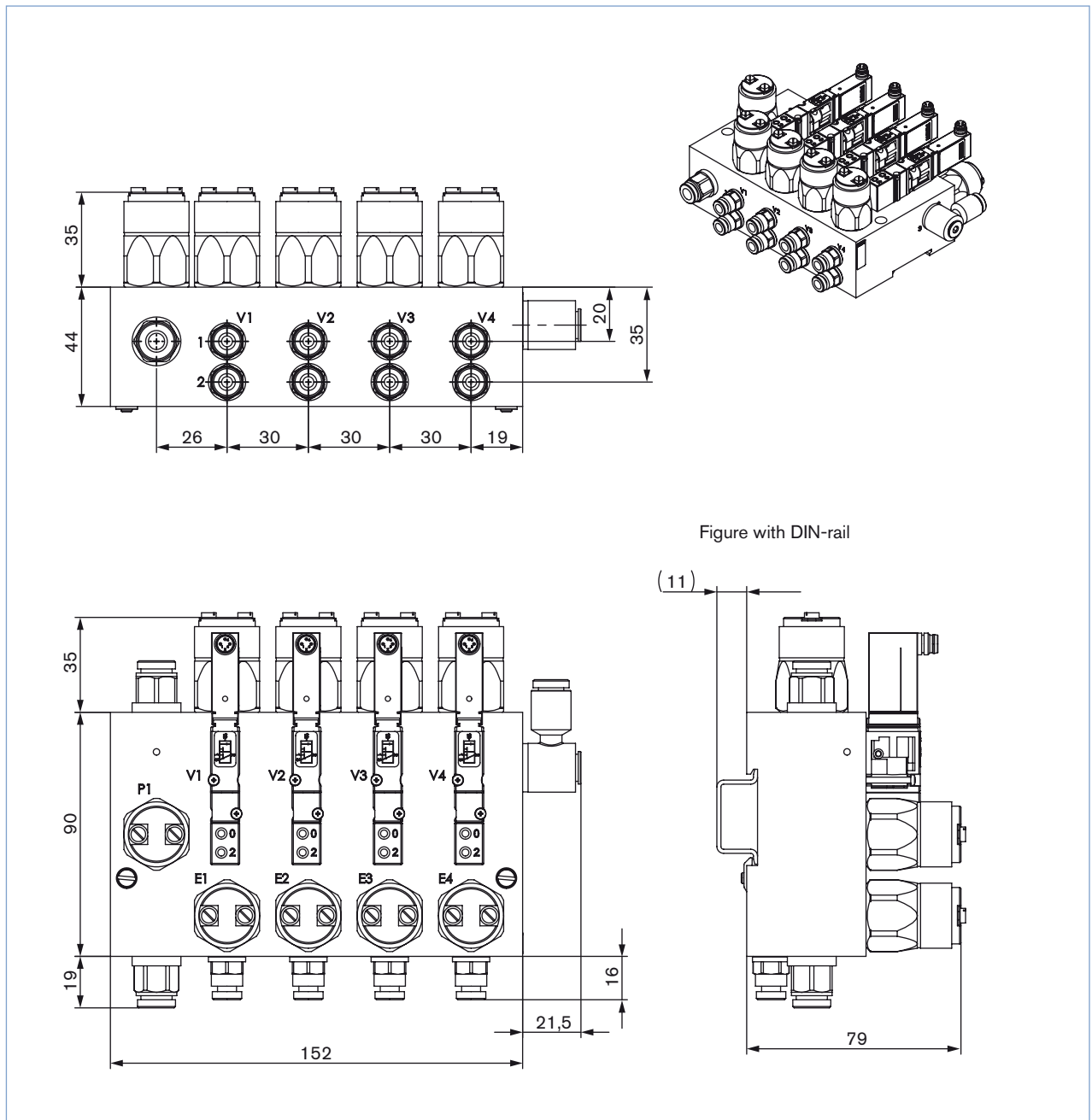


**Type 6525**  
Valve with a second connection

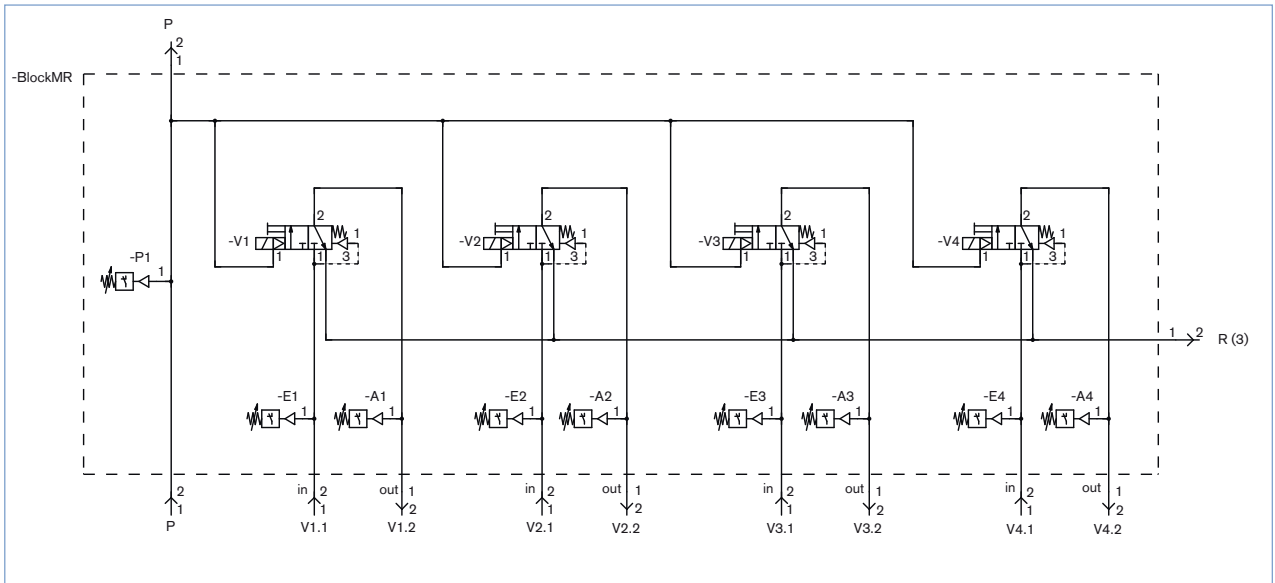
The Type MKRS extended the various usability of valve island type 8640 as well as the automation system type 8644. With new Type MKRS in combination with valve Types 6524 and 6525 redundancy valve functions can be installed. Thereby according to machinery directives EN ISO 13849 higher safety functionalities up to performance level d can be reached.

Technical data	
<b>Valve block</b>	
Body material	Aluminium anodized
Supply port connection	D8
Working port	D6
Protection class	IP20
Protection class	3 acc. to VDE 0580
Installation	Arbitrary, preferably horizontal on the DIN-rail
<b>Valves</b>	
Body material	PA
Circuit function	3/2 way valve (normally closed)
Operating voltage	24 V
Power consumption	0.8 W
Electr. connection	Circular connector M8
Medium	Lubricated, non-lubricated and dry compressed air; neutral gases (5µm filter recommended)
Pilot pressure	2.5 - 10 bar
Medium temperature	- 10 ... + 50 °C
Ambient temperature	- 10 ... + 55 °C
Manual override	no
Response times	Opening: 15 ms
(Measuring acc. to ISO 12238)	Closing: 20ms
<b>Diaphragm pressure switch</b>	
Function	Opener (normally closed)
Body material	Steel zinc-coated CrVI-free
Operating voltage	max. 42 V
Electr. Connection	Screw connection M3
Seal material	NBR
Adjustment range (tolerance at room temperature)	1 - 10 bar (+ 0.5 bar)
Switching frequency	< 200 / min <sup>-1</sup>

Dimensions [mm]



Pneumatic circuit diagram



Ordering chart for standard version

	Article no.	Article no.
Article no.	287280	287281
Description	Fully equipped	Partly equipped
Quantity of valve slots	4	4
Quantity of redundancy valves	4	2
Pressure monitoring in the P-channel	yes	yes
Pressure monitoring per valve		
upstream valve	yes	yes
downstream valve	yes	yes
External pilot air	yes	yes

To find your nearest Bürkert facility, click on the orange box →

[www.burkert.com](http://www.burkert.com)

In case of special application conditions, please consult for advice.

Subject to alterations  
© Christian Bürkert GmbH & Co. KG

1803/1\_EU-en\_00895302