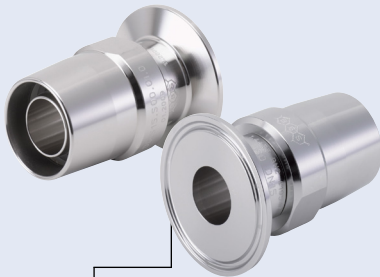
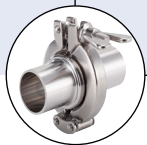


Re-usable hose connections



Type BBS-4S can be combined with...

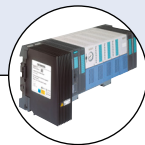
- Guaranteed crevice free
- Fully traceable wetted materials
- Excellent sealing properties maintaining sterility
- Suitable for CIP and SIP
- Virtually unlimited flexibility



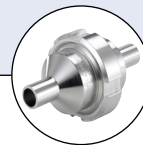
Type BBS-05
BBS Quick connect



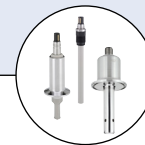
Type 2103
Diaphragm valve



Type 8650
Process Automation



Type BBS-10
Check valve



Type 8221
Conductivity sensor



Type BBS-04
Silicone tube

These hose unions offer optimum flexibility, while the purity of the process is maintained at the highest level.

The appropriate connection is selected depending on the required size of hose. These are available in many designs ranging from standard Clamp, weld end, threaded and flanged. In addition, we also provide for you solutions which are suitable for your specific requirements.

Please note that these unions are designed only for use with our type BBS-04 silicone hose.

Technical data	
Available standard sizes	ISO DN08 to DN50 BS-OD DN1/4" to DN2" DIN DN08 to DN50 Customized solution on request
Materials	
Wetted parts material	Stainless steel 1.4435 BN ₂ (316L) Special materials on request
Unwetted parts material	1.4305 or equivalent
Surface quality	Fluid contacted surface < Ra 0.8 µm, electro polished, finer surface on request
Operating / Burst pressure	See data sheet BBS-04 silicone hose
Process temperature	See data sheet BBS-04 silicone hose
Ambient temperature	-20 ... +80 °C
Fluids	Gases or liquids
Applicable Standards	Pipe connection acc. to DIN 11866 ISO-Dimensions Series B (ISO 4200) BS-OD-Dimensions Series C (ASME BPE) DIN-Dimensions Series A (DIN 11850) Clamp connection acc. to DIN 32676
Certifications	Material 3.1 for all wetted parts

Applications

- Biotechnology
- Pharmaceutical
- Chemical industry
- Dairy
- Food
- Cosmetic

Suitable hoses regarding hose unions

ISO hose unions

Orifice	Hose dimension [inner diameter x thickness]
DN08	10 × 4.75
DN10	12.7 × 4.75
DN15	19 × 5.8
DN20	25.4 × 6.35
DN25	32 × 7
DN32	38 × 7
DN40	45 × 7
DN50	55 × 7

DIN hose unions

Orifice	Hose dimension [inner diameter x thickness]
DN08	8 × 3.2
DN10	10 × 4.75
DN15	12.7 × 4.75
DN20	19 × 5.8
DN25	25.4 × 6.35
DN32	32 × 7
DN40	38 × 7
DN50	55 × 7

BS-OD hose unions

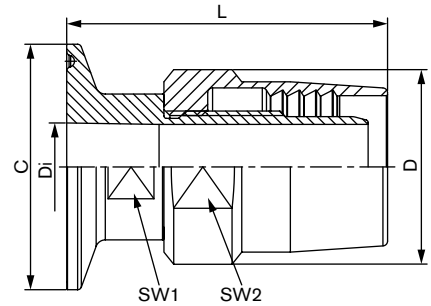
Orifice	Hose dimension [inner diameter x thickness]
DN1/4"	5 × 2.5
DN3/8"	8 × 3.2
DN1/2"	12.7 × 4.75
DN3/4"	19 × 5.8
DN1"	25.4 × 6.35
DN1 1/2"	38 × 7
DN2"	45 × 7

Dimensions [mm]

• **Clamp version**

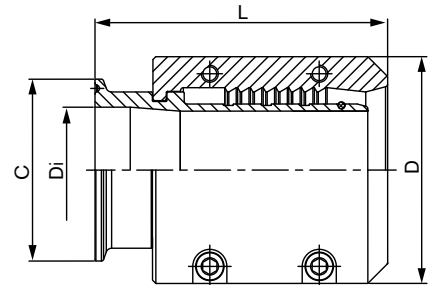
ISO standard hose union with Clamp

Orifice	C [mm]	Di [mm]	L [mm]	D [mm]	SW1 [mm]	SW2 [mm]	Article no.
DN08	25.00	10.30	49.00	21.70	17.00	24.00	742223
DN10	34.00	10.00	49.00	27.70	17.00	24.00	742153
DN15	50.50	18.10	66.00	40.00	27.00	36.00	742119
DN20	50.50	23.70	78.50	49.50	32.00	46.00	742226
DN25	50.50	29.70	96.00	57.00	41.00	55.00	742127



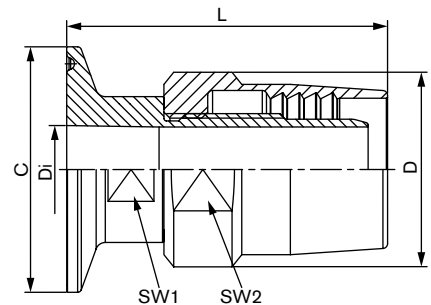
ISO standard hose connection with Clamp

Orifice	C [mm]	Di [mm]	L [mm]	D [mm]	Article no.
DN32	64.00	38.40	89.70	74.00	742135
DN40	64.00	44.30	101.80	78.80	742139
DN50	77.50	56.30	124.00	92.00	742140



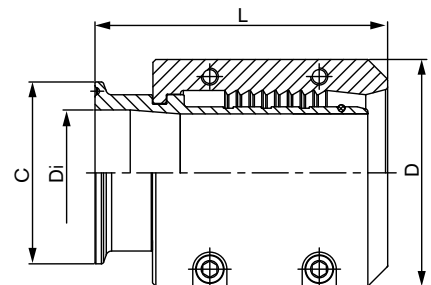
BS-OD standard hose union with Clamp

Orifice	C [mm]	Di [mm]	L [mm]	D [mm]	SW1 [mm]	SW2 [mm]	Article no.
DN1/4"	25.00	4.57	38.50	19.80	14.00	17.00	743031
DN3/8"	25.00	7.75	49.00	21.70	17.00	24.00	741989
DN1/2"	25.00	9.40	50.00	29.70	19.00	27.00	741993
DN3/4"	25.00	15.75	66.00	40.00	27.00	36.00	741995
DN1"	50.50	22.10	78.50	49.50	32.00	46.00	742001



BS-OD standard hose connection with Clamp

Orifice	C [mm]	Di [mm]	L [mm]	D [mm]	Article no.
DN1 1/2"	50.50	34.80	92.90	74.00	742007
DN2"	64.00	47.50	102.00	79.80	742017
DN2 1/2"	77.50	60.20	123.00	92.00	743239



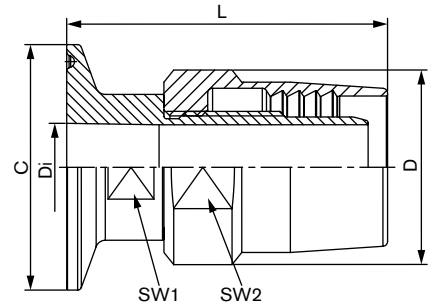
Note: A completely gap-free connection feature can only be given in combination with original BBS silicone hose.

Dimensions [mm], continued

• **Clamp version**

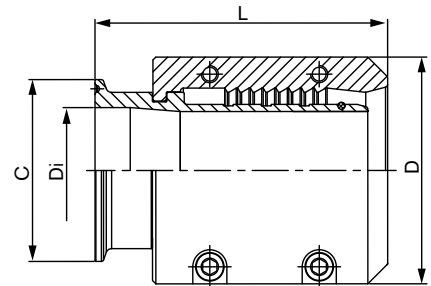
DIN standard hose union with Clamp

Orifice	C [mm]	Di [mm]	L [mm]	D [mm]	SW1 [mm]	SW2 [mm]	Article no.
DN08	25.00	8.00	39.50	22.00	17.00	20.00	742106
DN10	25.00	10.00	49.00	21.70	17.00	24.00	742107
DN15	34.00	16.00	50.00	29.70	19.00	27.00	742108
DN20	34.00	20.00	64.00	38.60	22.00	36.00	742109
DN25	50.50	26.00	78.50	49.50	32.00	46.00	742111
DN32	50.50	32.00	90.00	56.00	41.00	54.00	744803



DIN standard hose connection with Clamp

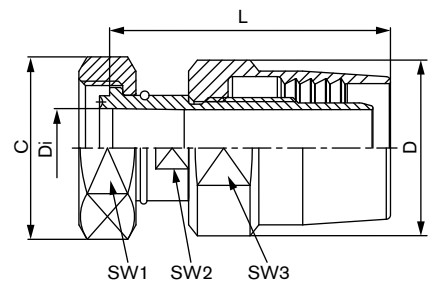
Orifice	C [mm]	Di [mm]	L [mm]	D [mm]	Article no.
DN40	50.50	38.00	89.70	74.00	742112
DN50	64.00	50.00	122.50	92.00	742114



• **Sterile version**

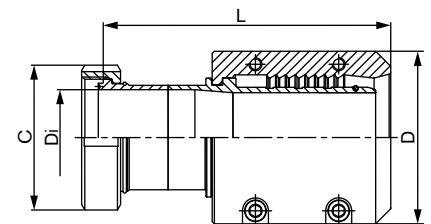
ISO standard sterile hose union

Orifice	C [mm]	Di [mm]	L [mm]	D [mm]	SW1 [mm]	SW2 [mm]	SW3 [mm]	Article no.
DN08	31.20	10.30	49.00	27.70	27.00	14.00	24.00	742056
DN10	36.50	14.00	52.00	29.70	32.00	19.00	27.00	742066
DN15	41.60	18.10	64.00	38.60	36.00	22.00	36.00	742072
DN20	48.00	23.70	79.30	49.50	42.00	28.00	46.00	742083
DN25	52.00	29.70	121.00	57.00	46.00	32.00	55.00	742086



ISO standard sterile hose connection

Orifice	C [mm]	Di [mm]	L [mm]	D [mm]	Article no.
DN32	62.00	38.40	111.00	74.00	742088
DN40	67.00	44.30	132.80	79.80	742090
DN50	80.00	56.30	144.00	92.00	742091



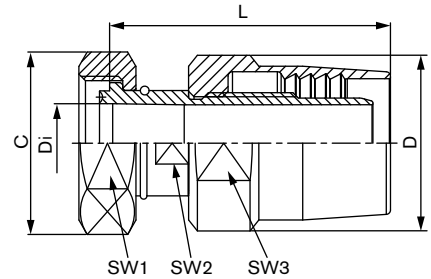
Note: A completely gap-free connection feature can only be given in combination with original BBS silicone hose.

Dimensions [mm], continued

• Sterile version

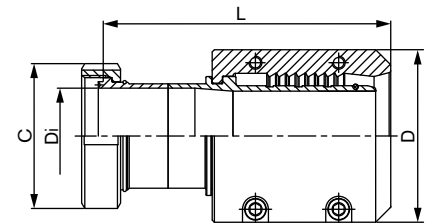
BS-OD standard sterile hose union

Orifice	C [mm]	Di [mm]	L [mm]	D [mm]	SW1 [mm]	SW2 [mm]	SW3 [mm]	Article no.
DN1/4"	21.90	4.57	42.30	22.00	22.00	11.00	17.00	742092
DN3/8"	21.90	7.70	49.00	27.70	27.00	14.00	24.00	742093
DN1/2"	24.50	9.40	52.00	29.70	32.00	19.00	27.00	742094
DN3/4"	31.20	15.75	65.00	38.60	42.00	22.00	36.00	742095
DN1"	36.50	22.10	79.30	49.50	42.00	28.00	46.00	742096



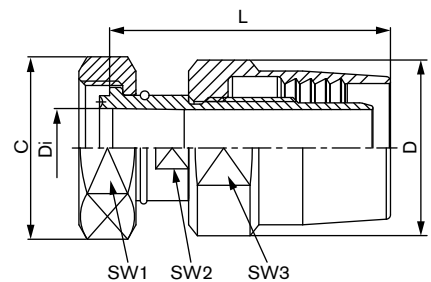
BS-OD standard sterile hose connection

Orifice	C [mm]	Di [mm]	L [mm]	D [mm]	Article no.
DN1 1/2"	62.00	34.80	133.40	74.00	742097
DN2"	80.00	47.50	144.60	79.80	744798



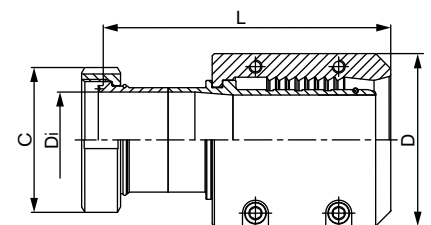
DIN standard sterile hose union

Orifice	C [mm]	Di [mm]	L [mm]	D [mm]	SW1 [mm]	SW2 [mm]	SW3 [mm]	Article no.
DN04	21.90	4.00	40.00	17.80	19.00	8.00	14.00	742027
DN06	21.90	6.00	40.00	19.80	19.00	10.00	17.00	742030
DN08	24.50	8.00	42.30	22.00	22.00	11.00	20.00	742034
DN10	31.20	10.00	49.00	27.70	27.00	14.00	24.00	742056
DN15	36.50	16.00	52.00	29.70	36.00	21.00	27.00	742040
DN20	48.30	20.00	65.00	38.60	42.00	22.00	36.00	742042
DN25	52.00	26.00	77.00	49.50	-	32.00	46.00	742043
DN32	62.00	32.00	87.70	56.00	-	41.00	54.00	742046



DIN standard hose connection

Orifice	C [mm]	Di [mm]	L [mm]	D [mm]	Article no.
DN40	67.00	38.00	152.50	79.80	742048
DN50	80.00	50.00	169.40	92.00	742050



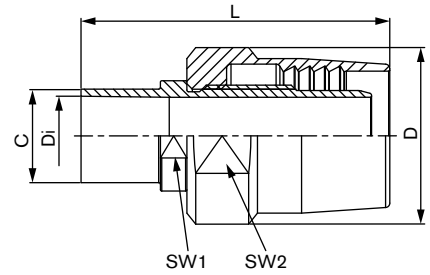
Note: A completely gap-free connection feature can only be given in combination with original BBS silicone hose.

Dimensions [mm], continued

• **Weld end version**

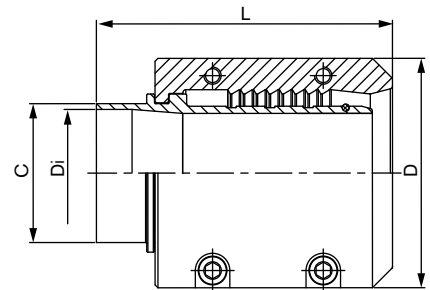
ISO standard hose union with weld end

Orifice	C [mm]	Di [mm]	L [mm]	D [mm]	SW1 [mm]	SW2 [mm]	Article no.
DN08	13.50	10.30	54.00	27.70	14.00	24.00	742302
DN10	17.20	14.00	61.50	29.70	19.00	27.00	742304
DN15	21.30	18.10	70.00	38.60	22.00	36.00	742306
DN20	26.90	23.70	84.00	49.50	32.00	46.00	742308
DN25	33.70	29.70	96.00	57.00	41.00	55.00	742309



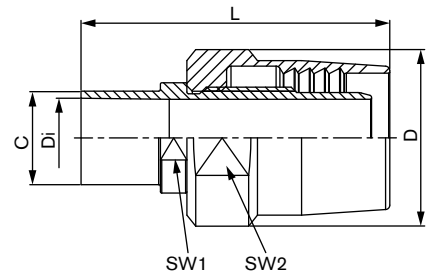
ISO standard hose connection with weld end

Orifice	C [mm]	Di [mm]	L [mm]	D [mm]	Article no.
DN32	42.40	38.40	85.60	74.00	742310
DN40	48.30	44.30	102.80	79.80	742311
DN50	60.30	56.30	114.00	92.00	742312



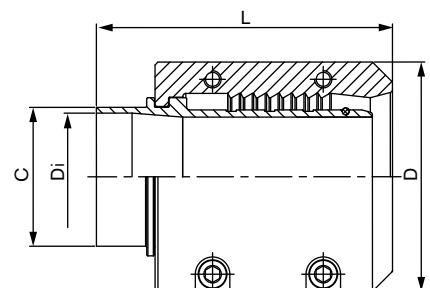
BS-OD standard hose union with weld end

Orifice	C [mm]	Di [mm]	L [mm]	D [mm]	SW1 [mm]	SW2 [mm]	Article no.
DN1/4"	6.35	4.57	42.30	22.00	22.00	17.00	742313
DN3/8"	9.53	7.75	54.00	27.70	14.00	24.00	742314
DN1/2"	12.70	9.40	64.00	29.70	32.00	27.00	742315
DN3/4"	19.05	15.75	78.90	38.60	22.00	36.00	742316
DN1"	25.40	22.10	95.00	49.50	32.00	46.00	742317



BS-OD standard hose connection with weld end

Orifice	C [mm]	Di [mm]	L [mm]	D [mm]	Article no.
DN1 1/2"	38.10	34.80	100.80	74.00	742318
DN2"	50.80	47.50	101.80	79.80	742319



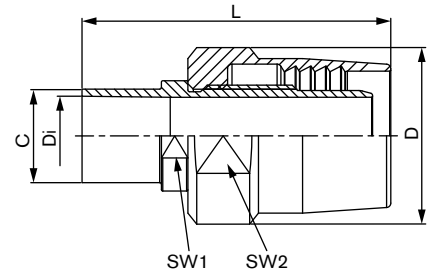
Note: A completely gap-free connection feature can only be given in combination with original BBS silicone hose.

Dimensions [mm], continued

• **Weld end version**

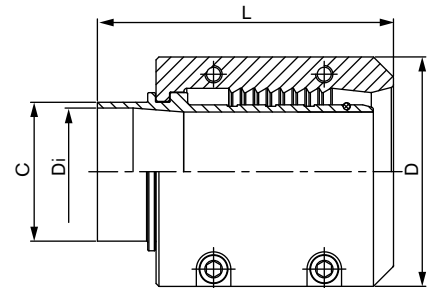
DIN standard hose union with weld end

Orifice	C [mm]	Di [mm]	L [mm]	D [mm]	SW1 [mm]	SW2 [mm]	Article no.
DN08	10.00	8.00	50.00	22.00	13.00	20.00	742290
DN10	12.00	10.00	54.00	27.70	15.00	24.00	742292
DN10	13.00	10.00	54.00	27.70	15.00	24.00	742293
DN15	19.00	16.00	61.50	29.70	21.00	27.00	742295
DN20	23.00	20.00	73.00	38.60	24.00	36.00	742296
DN25	29.00	26.00	84.00	49.50	32.00	46.00	743772
DN32	35.00	32.00	96.00	57.00	41.00	55.00	742298



DIN standard hose connection with weld end

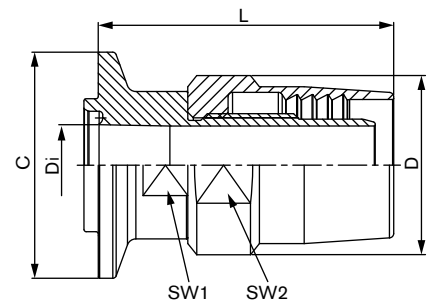
Orifice	C [mm]	Di [mm]	L [mm]	D [mm]	Article no.
DN40	41.00	38.00	98.70	74.00	742299
DN50	53.00	50.00	114.00	92.00	742300



• **Quick-connect male version**

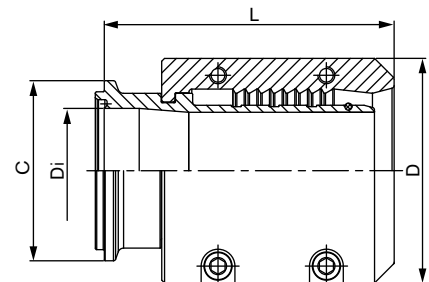
ISO standard hose union with quick-connect male

Orifice	C [mm]	Di [mm]	L [mm]	D [mm]	SW1 [mm]	SW2 [mm]	Article no.
DN08	25.00	10.30	52.00	27.70	17.00	24.00	731471
DN10	50.50	14.00	52.00	29.70	19.00	27.00	742534
DN15	50.50	18.10	66.00	38.60	27.00	36.00	742536
DN20	50.50	23.70	80.50	50.00	27.00	46.00	744894
DN25	50.50	29.70	97.00	56.00	41.00	54.00	731485



ISO standard hose connection with quick-connect male

Orifice	C [mm]	Di [mm]	L [mm]	D [mm]	Article no.
DN32	64.00	38.40	110.00	90.00	731489
DN40	64.00	44.30	130.00	79.80	731495
DN50	77.50	56.30	146.60	92.00	747797



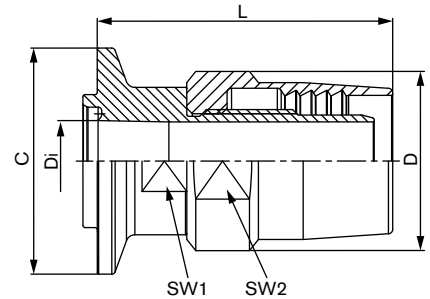
Note: A completely gap-free connection feature can only be given in combination with original BBS silicone hose.

Dimensions [mm], continued

• Quick-connect male version

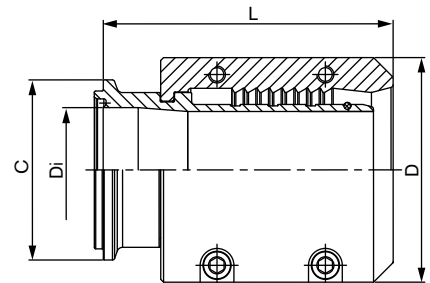
BS-OD standard hose union with quick-connect male

Orifice	C [mm]	Di [mm]	L [mm]	D [mm]	SW1 [mm]	SW2 [mm]	Article no.
DN1/4"	25.00	4.57	38.40	19.80	14.00	17.00	731501
DN3/8"	25.00	7.75	39.50	22.00	14.00	20.00	747826
DN1/2"	25.00	9.40	50.50	29.70	19.00	27.00	731503
DN3/4"	50.50	15.75	66.00	40.00	27.00	36.00	731505
DN1"	50.50	22.10	80.50	49.50	32.00	46.00	731510



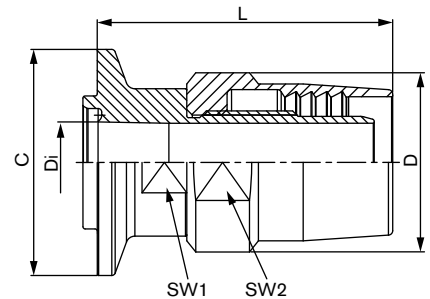
BS-OD standard hose connection with quick-connect male

Orifice	C [mm]	Di [mm]	L [mm]	D [mm]	Article no.
DN1 1/2"	50.50	34.80	94.10	74.00	731512
DN2"	64.00	47.50	102.8	79.80	731514



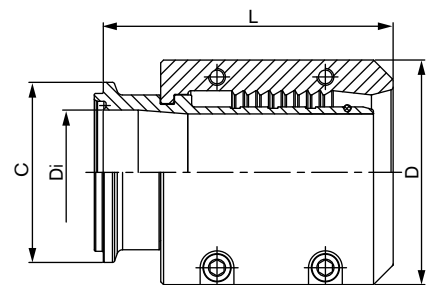
DIN standard hose union with quick-connect male

Orifice	C [mm]	Di [mm]	L [mm]	D [mm]	SW1 [mm]	SW2 [mm]	Article no.
DN04	25.00	4.00	36.25	17.80	10.00	14.00	731524
DN06	25.00	6.00	38.50	19.80	14.00	17.00	731526
DN08	25.00	8.00	39.50	22.00	11.00	20.00	731528
DN10	25.00	10.00	48.80	27.70	17.00	24.00	731534
DN15	50.50	16.00	52.00	29.70	21.00	27.00	744899
DN20	50.50	20.00	63.80	38.60	22.00	36.00	731535
DN25	50.50	26.00	78.50	49.50	32.00	46.00	731537
DN32	64.00	32.00	90.00	56.00	41.00	54.00	744900



DIN standard hose connection with quick-connect male

Orifice	C [mm]	Di [mm]	L [mm]	D [mm]	Article no.
DN40	50.50	38.00	89.70	74.00	731539
DN50	64.00	50.00	112.50	92.00	731541



BBS-4S




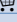

Hose connection

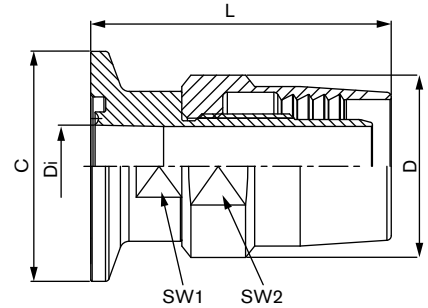
Note: A completely gap-free connection feature can only be given in combination with original BBS silicone hose.

Dimensions [mm], continued




• Quick-connect female version

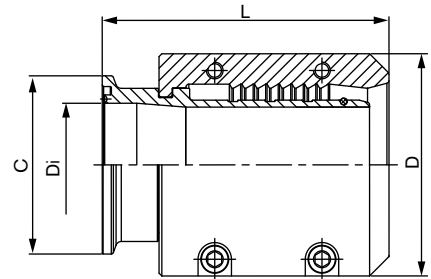
ISO standard hose union with quick-connect female

Orifice	C [mm]	Di [mm]	L [mm]	D [mm]	SW1 [mm]	SW2 [mm]	Article no.
DN08	25.00	10.30	48.90	27.70	17.00	24.00	742543 
DN10	50.50	14.00	52.00	29.70	19.00	27.00	742549 
DN15	50.50	18.10	66.00	38.60	27.00	36.00	742551 
DN20	50.50	23.70	80.50	49.50	32.00	46.00	744902 
DN25	50.50	29.70	97.00	57.00	41.00	55.00	742554 

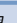
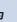
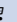
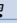
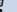


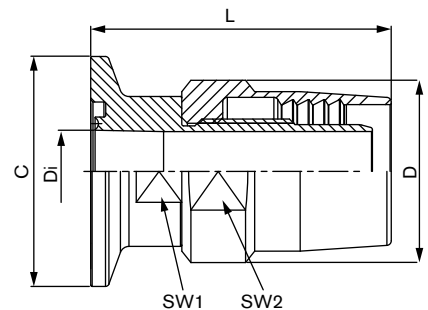
ISO standard hose connection with quick-connect female

Orifice	C [mm]	Di [mm]	L [mm]	D [mm]	Article no.
DN32	64.00	38.40	85.70	75.00	742558 
DN40	64.00	44.30	103.40	79.80	742561 
DN50	77.50	56.30	122.50	92.00	742563 





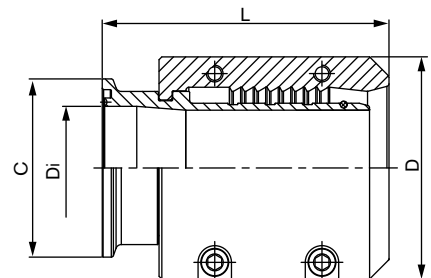
BS-OD standard hose union with quick-connect female

Orifice	C [mm]	Di [mm]	L [mm]	D [mm]	SW1 [mm]	SW2 [mm]	Article no.
DN1/4"	25.00	4.57	38.40	19.80	14.00	17.00	742564 
DN3/8"	25.00	7.75	39.50	22.00	11.00	20.00	744903 
DN1/2"	25.00	9.40	52.00	29.70	17.00	27.00	742566 
DN3/4"	25.00	15.75	65.80	38.60	22.00	36.00	742567 
DN1"	50.50	22.10	77.50	49.50	32.00	46.00	742569 



BS-OD standard hose connection with quick-connect female

Orifice	C [mm]	Di [mm]	L [mm]	D [mm]	Article no.
DN1 1/2"	50.50	34.80	94.30	74.00	742570 
DN2"	64.00	47.50	102.80	79.80	742571 



BBS-4S

Hose connection

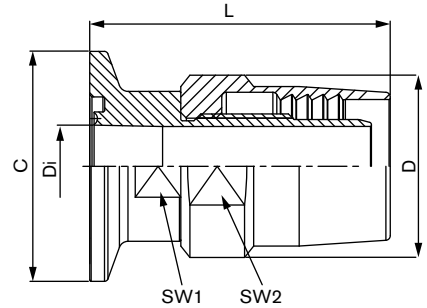
Note: A completely gap-free connection feature can only be given in combination with original BBS silicone hose.

Dimensions [mm], continued

• Quick-connect female version

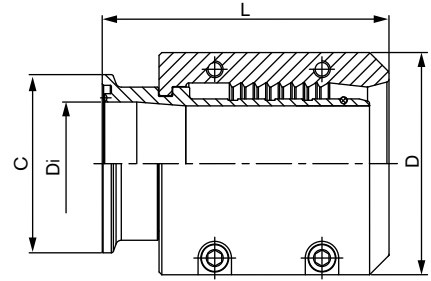
DIN standard hose union with quick-connect male

Orifice	C [mm]	Di [mm]	L [mm]	D [mm]	SW1 [mm]	SW2 [mm]	Article no.
DN08	25.00	8.00	39.50	22.00	17.00	20.00	742576
DN10	25.00	10.00	48.80	27.70	17.00	24.00	742578
DN15	50.50	16.00	52.00	29.70	21.00	27.00	744908
DN20	50.50	20.00	63.80	38.60	22.00	36.00	742580
DN25	50.5	26.00	78.50	49.50	32.00	46.00	742581
DN32	64.00	32.00	90.00	56.00	41.00	54.00	744909



DIN standard hose connection with quick-connect male

Orifice	C [mm]	Di [mm]	L [mm]	D [mm]	Article no.
DN40	50.50	38.00	89.70	74.00	742582
DN50	64.00	50.00	122.70	92.00	742583



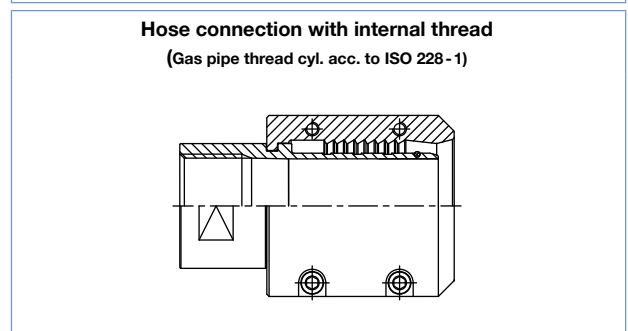
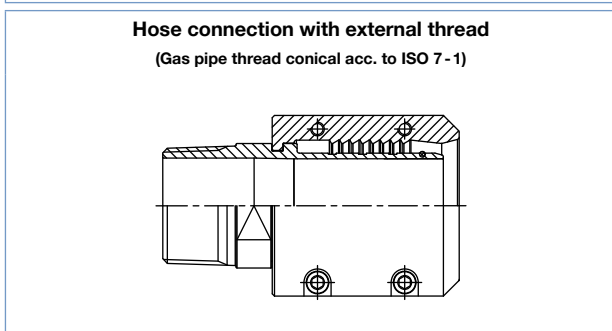
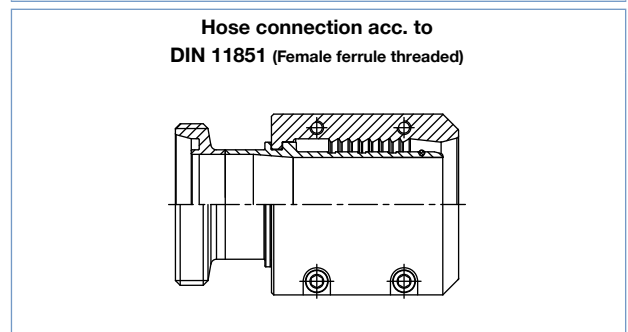
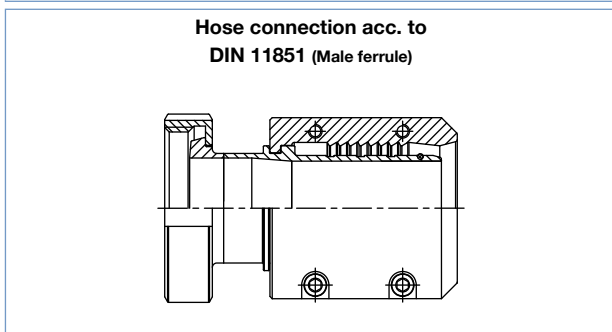
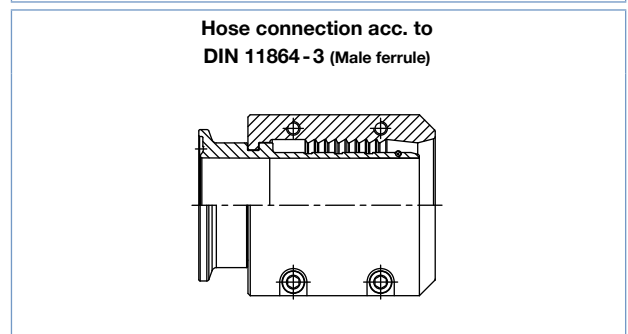
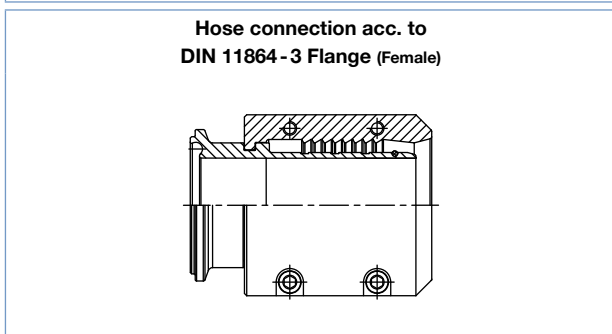
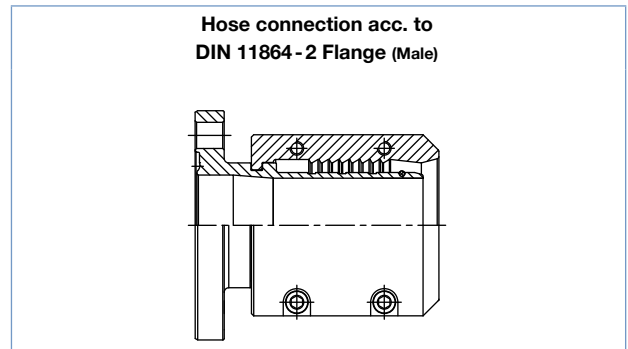
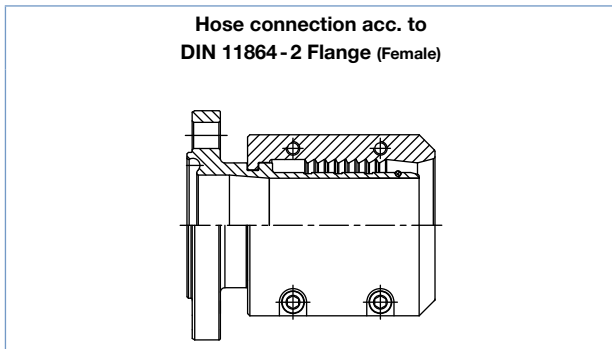
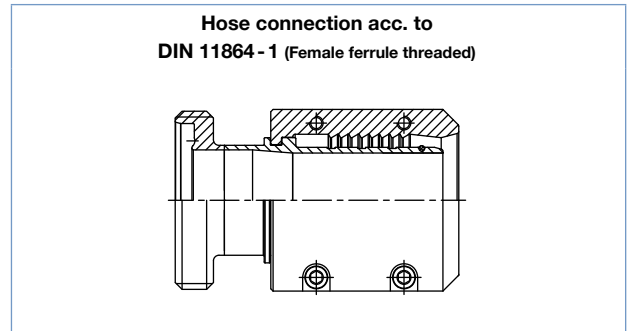
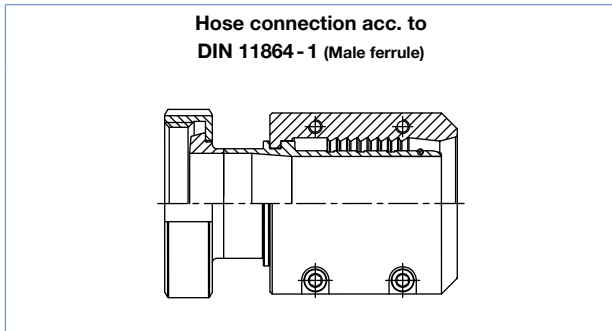
BBS-4S

Hose connection



Note: A completely gap-free connection feature can only be given in combination with original BBS silicone hose.

Following versions available on request



Reductions and increments available on request.

Hose set Type 04 – request for quotation

Note
You can fill out the fields directly in the PDF file before printing out the form.

▶ Please fill out and send to your nearest Bürkert office* with your inquiry or order

Company:	Contact person:
Customer no.:	Department:
Address:	Tel./Fax.:
Postcode/town:	E-Mail:

Quantity Required delivery date

Specification key for silicone hose

Example

TCS BS 1½" BN2 HI 08 1875 J TCS BS 1½" 2

Code no.

01	02	03	04	05	06	07	08	09	10	11	12
<input type="text"/>	<input type="text"/>	<input type="text"/>	<input type="text"/>	<input type="text"/>	<input type="text"/>	<input type="text"/>	<input type="text"/>	<input type="text"/>	<input type="text"/>	<input type="text"/>	<input type="text"/>

Specification key

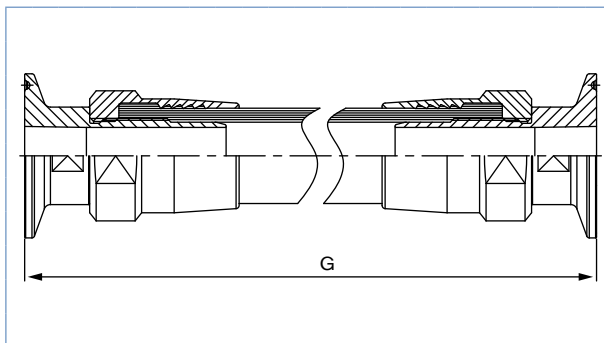
(Please make a choice)

01 /	Connection Type 1 /
09	Connection Type 2
TCS	Clamp standard
SVS	Sterile connection standard
QCM	Quick-connect Male
QCF	Quick-connect Female
ACM	Aseptic Clamp 11864 Male
ACF	Aseptic Clamp 11864 Female
SWO	Weld end Orbital
02 /	Connection Size 1 /
10	Connection Size 2
ISO	ISO dimension
DIN	DIN dimension
BS	BS-OD
03 /	Orifice 1
11	Orifice 2
See *	Nominal diameter

Please : * fill in the desired nominal diameter
** fill in the desired size (see drawing below)

04	Wetted parts material
BN2	1.4435
DIN no.	Other
05	Hose Type
HH	Without reinforcement
HI	Glass silk reinforced
HJ	Aramid reinforced
HK	Double aramid reinforced
HL	Stainless steel reinforced
06	Wetted parts surface
08	Ra < 0.8 µm
00	Other

07	Hose size [mm]
See **	Size G
08	Label
(Please insert required text into comment box)	
J	with hose tag
N	without hose tag
12	Certificate
0	None
2	FDA/USP/BfR
3	Inspection certificate 3.1
4	Pressure test
5	FDA/USP/BfR and 3.1
6	FDA/USP/BfR and 3.1 and Pressure test
7	FDA/USP/BfR and Pressure test



Comments/sketch

Note: For other requests please contact your nearest Bürkert office

To find your nearest Bürkert office, click on the orange box →

www.burkert.com

In case of special application conditions, please consult for advice.

Subject to alterations
© Christian Bürkert GmbH & Co. KG

1807/8_EU-en_00895166