

BBS-07

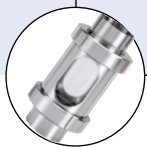
Clamp
tank flange

Clamp tank flange



- Suitable for clamp ferrules according to DIN 32676 and ASME BPE
- All medium contact materials traceable
- Component of the BBS modular system
- High flexibility

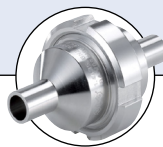
Hygienic Processing Components...



Type BBS-3F
Flow indicator



Type BBS-04
Silicone tube



Type BBS-10
Check valve



Type BBS-03
Connection



Type BBS-06
Flange



Type 2103
Diaphragm valve

These Clamp block flanges are suitable for clamp connections according to DIN 32676 and ASME BPE. They are specifically intended to provide a safe and secure flexible connection of pipes or equipment to a tank using standard clamps.

They can be used for connecting measuring instruments, sight glasses or sampling systems as well as burst discs. Their design and construction makes them simple to clean.

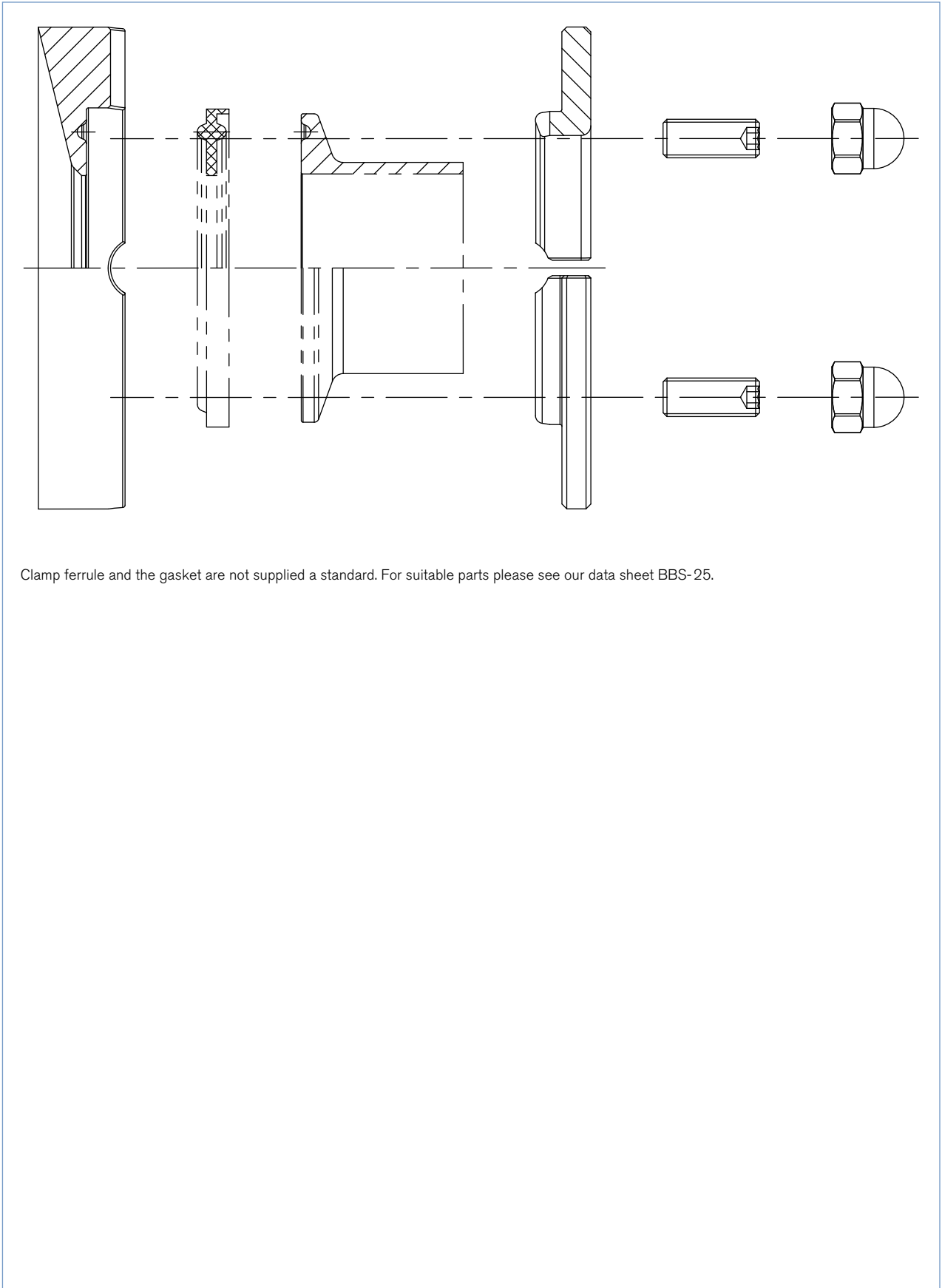
Technical data

Available standard sizes	ISO DN08 to DN100 DIN DN10 to DN100 BS-OD DN1/2" to DN4"
Material medium contact	Stainless steel 1.4435 BN2 (316L) Special materials e.g. Hastelloy 2.4602, Titanium, 1.4539 etc. on request
Material medium separated	1.4305 or equivalent
Connection	Loose tank Clamp
Seals	Suitable seals please see datasheet BBS-25
Surface quality	Medium contacted surface RA < Ra 0.8µm, electro polished, finer surface on request
Ambient temperature	-20 to +80 °C
Media	Gases or liquids
Operating pressure	ISO DN08 to DN32 = 25 bar ISO DN40 to DN65 = 16 bar ISO DN80 to DN150 = 10 bar DIN DN04 to DN40 = 25 bar DIN DN50 to DN65 = 16 bar DIN DN80 to DN150 = 10 bar BS-OD DN1/4" to DN1 1/2" = 25 bar BS-OD DN2" to DN3" = 16 bar BS-OD DN4" to DN8" = 10 bar SMS DN06 to DN40 = 25 bar SMS DN50 to DN65 = 16 bar SMS DN80 to DN100 = 10 bar
Applicable Standards	Clamp shape acc. to DIN 32676 ISO-Dimensions Series B DIN-Dimensions Series A BS-OD-Dimensions Series C (ASME BPE)
Certifications	Material 3.1

Applications

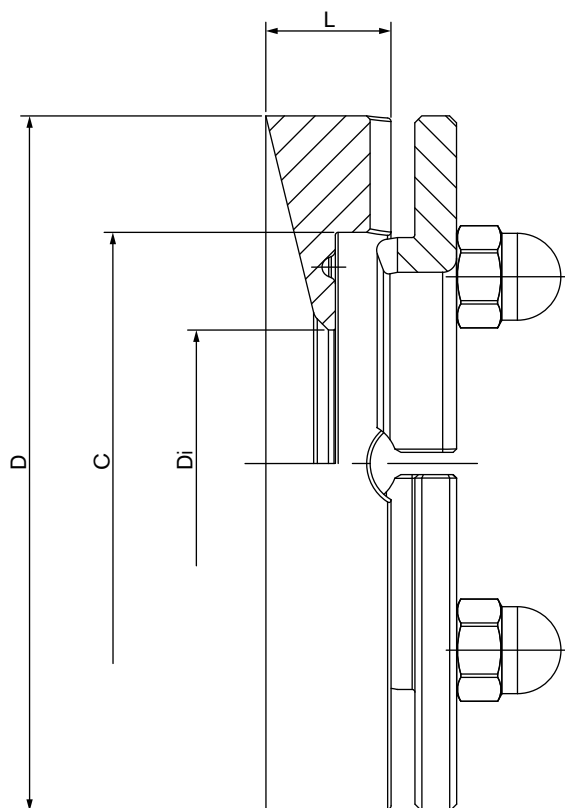
- Biotechnology
- Pharmaceutical
- Chemical industry
- Dairy
- Food
- Cosmetic

Clamp tank flange



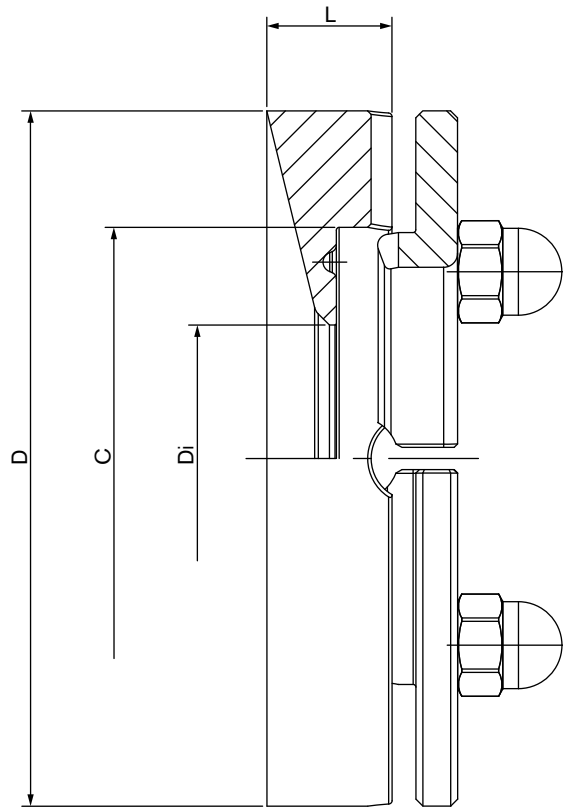
Clamp ferrule and the gasket are not supplied a standard. For suitable parts please see our data sheet BBS-25.

Dimension [mm] Clamp tank flange suitable for BBS-25 Clamp ferrules



Orifice	D [mm]	Di [mm]	C [mm]	Suitable Clamp Ø	Article no. Flange L 15 mm		Article no. Flange L 25 mm	
ISO Dimensions Clamp tank flange								
DN08		10.30		25.00	BBS-07-ZT.Z08.015.35.0	on request	BBS-07-ZT.Z08.025.35.0	on request
DN10		14.00		25.00	BBS-07-ZT.Z10.015.35.0	on request	BBS-07-ZT.Z10.025.35.0	on request
DN15	70.00	18.10	37.40	34.00	BBS-07-ZT.Z15.015.35.0	on request	BBS-07-ZT.Z15.025.35.0	on request
DN20	85.00	23.70	53.90	50.50	BBS-07-ZT.Z20.015.35.0	on request	BBS-07-ZT.Z20.025.35.0	on request
DN25	85.00	29.70	53.90	50.50	BBS-07-ZT.Z25.015.35.0	on request	BBS-07-ZT.Z25.025.35.0	733893 𐀀
DN32	100.00	38.40	66.50	64.00	BBS-07-ZT.Z32.015.35.0	733905 𐀀	BBS-07-ZT.Z32.025.35.0	733908 𐀀
DN40	100.00	44.30	66.50	64.00	BBS-07-ZT.Z40.015.35.0	733917 𐀀	BBS-07-ZT.Z40.025.35.0	on request
DN50	112.00	56.30	80.50	77.50	BBS-07-ZT.Z50.015.35.0	733926 𐀀	BBS-07-ZT.Z50.025.35.0	on request
DN65	131.00	72.10	93.00	91.00	BBS-07-ZT.Z65.015.35.0	733939 𐀀	BBS-07-ZT.Z65.025.35.0	on request
DN80	146.00	84.30	108.00	106.00	BBS-07-ZT.Z80.015.35.0	733948 𐀀	BBS-07-ZT.Z80.025.35.0	on request
DN100	170.00	109.70	132.50	130.00	BBS-07-ZT.Z100.015.35.0	733871 𐀀	BBS-07-ZT.Z100.025.35.0	733873 𐀀
ISO Dimensions Clamp tank flange continued								
Orifice	D [mm]	Di [mm]	C [mm]	Suitable Clamp Ø	Article no. Flange L 38 mm		Article no. Flange L 51 mm	
DN08		10.30		25.00	BBS-07-ZT.Z08.038.35.0	on request	BBS-07-ZT.Z08.051.35.0	on request
DN10		14.00		25.00	BBS-07-ZT.Z10.038.35.0	on request	BBS-07-ZT.Z10.051.35.0	on request
DN15	70.00	18.10	37.40	34.00	BBS-07-ZT.Z15.038.35.0	733885 𐀀	BBS-07-ZT.Z15.051.35.0	on request
DN20	85.00	23.70	53.90	50.50	BBS-07-ZT.Z20.038.35.0	on request	BBS-07-ZT.Z20.051.35.0	on request
DN25	85.00	29.70	53.90	50.50	BBS-07-ZT.Z25.038.35.0	on request	BBS-07-ZT.Z25.051.35.0	on request
DN32	100.00	38.40	66.50	64.00	BBS-07-ZT.Z32.038.35.0	on request	BBS-07-ZT.Z32.051.35.0	on request
DN40	100.00	44.30	66.50	64.00	BBS-07-ZT.Z40.038.35.0	on request	BBS-07-ZT.Z40.051.35.0	on request
DN50	112.00	56.30	80.50	77.50	BBS-07-ZT.Z50.038.35.0	on request	BBS-07-ZT.Z50.051.35.0	733929 𐀀
DN65	131.00	72.10	93.00	91.00	BBS-07-ZT.Z65.038.35.0	on request	BBS-07-ZT.Z65.051.35.0	on request
DN80	146.00	84.30	108.00	106.00	BBS-07-ZT.Z80.038.35.0	on request	BBS-07-ZT.Z80.051.35.0	733951 𐀀
DN100	170.00	109.70	132.50	130.00	BBS-07-ZT.Z100.038.35.0	on request	BBS-07-ZT.Z100.051.35.0	733876 𐀀

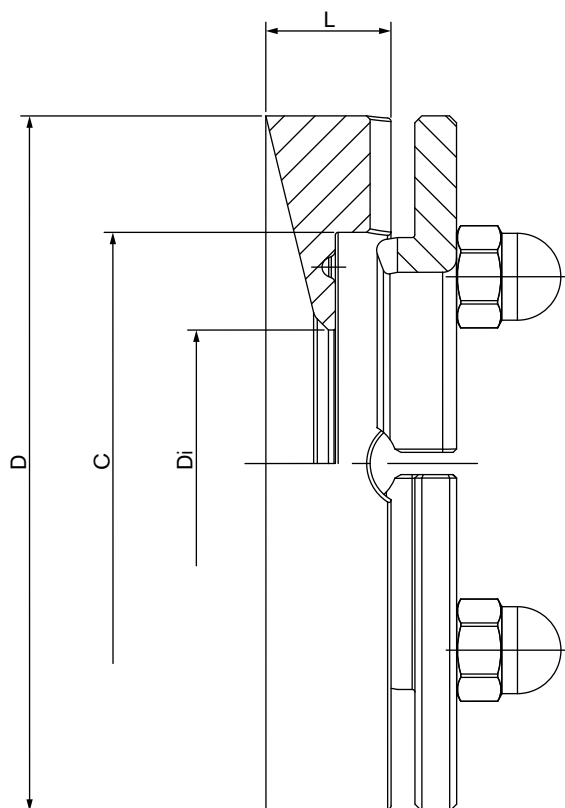
Dimension [mm] Clamp tank flange suitable for BBS-25 Clamp ferrules



Orifice	D [mm]	Di [mm]	C [mm]	Suitable Clamp Ø	Article no. Flange L 15 mm		Article no. Flange L 25 mm		
DIN Dimensions Clamp tank flange									
DN10	70.00	10.00	37.40	34.00	BBS-07-ZT.F10.015.35.0	on request	BBS-07-ZT.F10.025.35.0	on request	
DN15	70.00	16.00	37.40	34.00	BBS-07-ZT.F15.015.35.0	on request	BBS-07-ZT.F15.025.35.0	on request	
DN20	70.00	20.00	37.40	34.00	BBS-07-ZT.F20.015.35.0	on request	BBS-07-ZT.F20.025.35.0	on request	
DN25	85.00	26.00	53.90	50.50	BBS-07-ZT.F25.015.35.0	on request	BBS-07-ZT.F25.025.35.0	on request	
DN32	85.00	32.00	53.90	50.50	BBS-07-ZT.F32.015.35.0	on request	BBS-07-ZT.F32.025.35.0	on request	
DN40	85.00	38.00	53.90	50.50	BBS-07-ZT.F40.015.35.0	on request	BBS-07-ZT.F40.025.35.0	733751	
DN50	100.00	50.00	66.50	64.00	BBS-07-ZT.F50.015.35.0	on request	BBS-07-ZT.F50.025.35.0	733760	
DN65	131.00	66.00	93.00	91.00	BBS-07-ZT.F65.015.35.0	on request	BBS-07-ZT.F65.025.35.0	743416	
DN80	146.00	81.00	108.00	106.00	BBS-07-ZT.F80.015.35.0	on request	BBS-07-ZT.F80.025.35.0	on request	
DN100	170.00	100.00	121.50	119.00	BBS-07-ZT.F100.015.35.0	on request	BBS-07-ZT.F100.025.35.0	on request	

Orifice	D [mm]	Di [mm]	C [mm]	Suitable Clamp Ø	Article no. Flange L 38 mm		Article no. Flange L 51 mm		
DIN Dimensions Clamp tank flange continued									
DN10	70.00	10.00	37.40	34.00	BBS-07-ZT.F10.038.35.0	on request	BBS-07-ZT.F10.051.35.0	on request	
DN15	70.00	16.00	37.40	34.00	BBS-07-ZT.F15.038.35.0	on request	BBS-07-ZT.F15.051.35.0	on request	
DN20	70.00	20.00	37.40	34.00	BBS-07-ZT.F20.038.35.0	on request	BBS-07-ZT.F20.051.35.0	on request	
DN25	85.00	26.00	53.90	50.50	BBS-07-ZT.F25.038.35.0	on request	BBS-07-ZT.F25.051.35.0	on request	
DN32	85.00	32.00	53.90	50.50	BBS-07-ZT.F32.038.35.0	on request	BBS-07-ZT.F32.051.35.0	on request	
DN40	85.00	38.00	53.90	50.50	BBS-07-ZT.F40.038.35.0	on request	BBS-07-ZT.F40.051.35.0	on request	
DN50	100.00	50.00	66.50	64.00	BBS-07-ZT.F50.038.35.0	on request	BBS-07-ZT.F50.051.35.0	on request	
DN65	131.00	66.00	93.00	91.00	BBS-07-ZT.F65.038.35.0	on request	BBS-07-ZT.F65.051.35.0	on request	
DN80	146.00	81.00	108.00	106.00	BBS-07-ZT.F80.038.35.0	on request	BBS-07-ZT.F80.051.35.0	on request	
DN100	170.00	109.70	132.50	130.00	BBS-07-ZT.F100.038.35.0	on request	BBS-07-ZT.F100.051.35.0	on request	

Dimension [mm] Clamp tank flange suitable for BBS-25 Clamp ferrules



Orifice	D [mm]	Di [mm]	C [mm]	Suitable Clamp Ø	Article no. Flange L 15 mm		Article no. Flange L 25 mm	
BS-OD Dimensions Clamp tank flange								
DN1/2"		9.40		25.00	BBS-07-ZT.M05.015.35.0	on request	BBS-07-ZT.M05.025.35.0	on request
DN3/4"		15.75		25.00	BBS-07-ZT.M07.015.35.0	on request	BBS-07-ZT.M07.025.35.0	on request
DN1"	85.00	22.10	53.90	50.50	BBS-07-ZT.M10.015.35.0	on request	BBS-07-ZT.M10.025.35.0	733771
DN1 1/2"	85.00	38.10	53.90	50.50	BBS-07-ZT.M15.015.35.0	on request	BBS-07-ZT.M15.025.35.0	733783
DN2"	100.00	50.80	66.50	64.00	BBS-07-ZT.M20.015.35.0	733808	BBS-07-ZT.M20.025.35.0	733811
DN2 1/2"	112.00	60.20	80.50	77.50	BBS-07-ZT.M25.015.35.0	on request	BBS-07-ZT.M25.025.35.0	on request
DN3"	131.00	72.90	93.00	91.00	BBS-07-ZT.M30.015.35.0	733840	BBS-07-ZT.M30.025.35.0	733842
DN4"	170.00	97.38	121.50	119.00	BBS-07-ZT.M40.015.35.0	733855	BBS-07-ZT.M40.025.35.0	on request
BS-OD Dimensions Clamp tank flange continued								
Orifice	D [mm]	Di [mm]	C [mm]	Suitable Clamp Ø	Article no. Flange L 38 mm		Article no. Flange L 51 mm	
DN1/2"		9.40		25.00	BBS-07-ZT.M05.038.35.0	on request	BBS-07-ZT.M05.051.35.0	on request
DN3/4"		15.75		25.00	BBS-07-ZT.M07.038.35.0	on request	BBS-07-ZT.M07.051.35.0	on request
DN1"	85.00	22.10	53.90	50.50	BBS-07-ZT.M10.038.35.0	on request	BBS-07-ZT.M10.051.35.0	on request
DN1 1/2"	85.00	38.10	53.90	50.50	BBS-07-ZT.M15.038.35.0	on request	BBS-07-ZT.M15.051.35.0	on request
DN2"	100.00	50.80	66.50	64.00	BBS-07-ZT.M20.038.35.0	on request	BBS-07-ZT.M20.051.35.0	on request
DN2 1/2"	112.00	60.20	80.50	77.50	BBS-07-ZT.M25.038.35.0	on request	BBS-07-ZT.M25.051.35.0	on request
DN3"	131.00	72.90	93.00	91.00	BBS-07-ZT.M30.038.35.0	on request	BBS-07-ZT.M30.051.35.0	on request
DN4"	170.00	97.38	121.50	119.00	BBS-07-ZT.M40.038.35.0	on request	BBS-07-ZT.M40.051.35.0	on request

To find your nearest Bürkert facility, click on the orange box → www.burkert.com

In case of special application conditions, please consult for advice.

Subject to alterations
© Christian Bürkert GmbH & Co. KG

1806/2_EU-en_00895200