

Sterile orbital Quick Connect



Hygienic Processing components.....

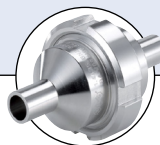
- Optimum design according to recommendation of the ASME BPE directives
- Guaranteed crevice free
- All medium contact materials traceable, traceable seal on request
- Component of the BBS modular system



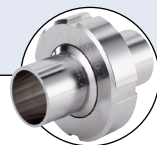
Type BBS-3F
Flow indicator



Type BBS-04
Silicone hose



Type BBS-10
Check valve



Type BBS-03
Sterile threaded
connection



Type BBS-06
Sterile orbital flange



Type 2103
Diaphragm valve

The BBS Sterile Quick Connect is a crevice free connection which has been developed with sterile applications firmly in the mind. It is available in virtually all sizes, standards and configurations it means you can optimize conditions inside your process whilst you are maintaining security on the outside according to different requirements.

In addition to the Quick Connect we offer sterile unions (threaded connections -Type BBS-03) and sterile flanged connections (Type BBS-06) for maximum security.

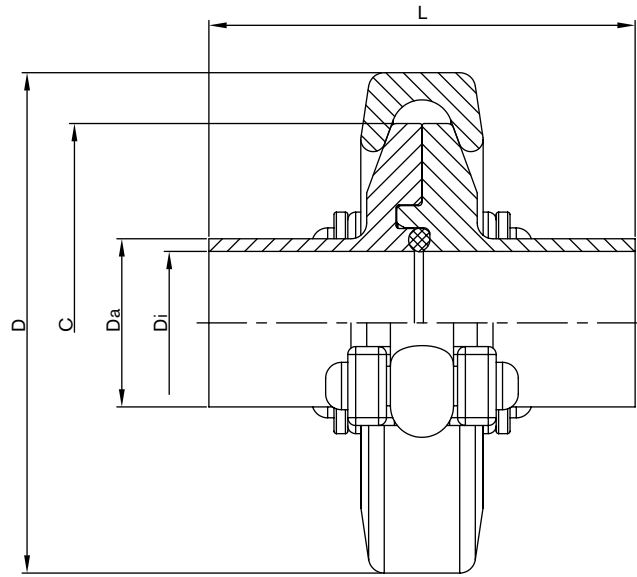
The design incorporates use of a standard dimension O-Ring which gives flexibility of material choice.

Applications

- Biotechnology
- Pharmaceutical
- Chemical industry
- Dairy
- Food
- Cosmetic

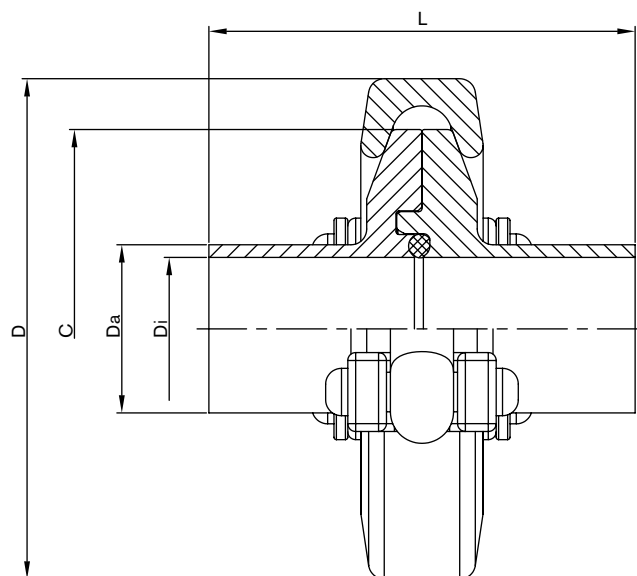
Technical data	
Available standard sizes	ISO DN08 to DN100 BS-OD DN1/4" to DN4" DIN DN08 to DN100 Customized on request
Material medium contact	Stainless steel 1.4435 BN2 (316L) Special materials on request
Material medium separated	1.4305 or equivalent
Connection	Standard clamp
Seals	O-Ring, EPDM, FEP, special sealing materials on request
Surface quality	Medium contacted surface < Ra 0.8µm, electro polished, finer surface on request
Operating temperature	EPDM seal material: -40 °C to 90 °C, temporary to 140 °C FEP seal material: -60 °C to 160 °C, temporary to 205 °C
Ambient temperature	-20 to +80 °C
Media	Gases or liquids
Operating pressure	-1 to +16 bar
Applicable standards	Pipe connection acc. to DIN 11866 ISO dimensions series B (ISO 4200) BS-OD dimensions series C (ASME BPE) DIN dimensions series A (DIN 11850)
Certifications	Material 3.1 FDA for all specified seal materials USP Class VI for EPDM, PTFE and FEP

Dimensions [mm] Sterile Quick Connect



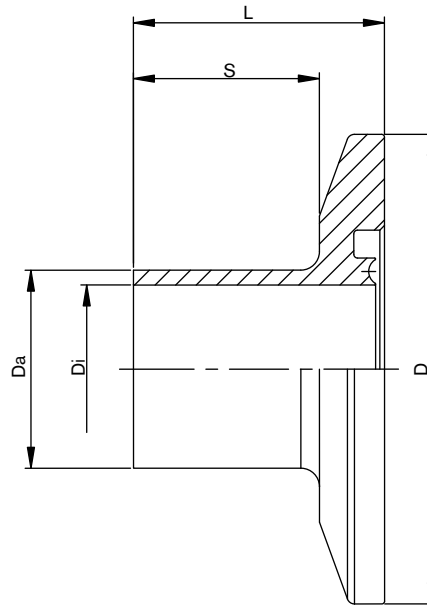
Orifice	C	D	Da	Di	L	Article no.	Article no.
	[mm]	[mm]	[mm]	[mm]	[mm]	EPDM	FEP
ISO Dimensions Sterile Quick Connect							
DN08	25.00	41.00	13.50	10.30	54.00	730648	730650
DN10	50.50	41.00	17.20	14.00	54.00	730658	730660
DN15	50.50	72.00	21.30	18.10	54.00	730679	730683
DN20	50.50	72.00	26.90	23.70	54.00	730693	730695
DN25	50.50	72.00	33.70	29.70	54.00	730703	730707
DN32	64.00	87.00	42.40	38.40	60.00	730712	730714
DN40	64.00	87.00	48.30	44.30	60.00	730722	730724
DN50	77.50	99.00	60.30	56.30	60.00	730730	730732
DN65	91.00	113.00	76.10	72.10	60.00	730738	730740
DN80	106.00	127.00	88.90	84.30	60.00	730748	744383
DN100	144.50	169.00	114.30	109.70	60.00	730666	730668

Dimensions [mm] Sterile Quick Connect, continued



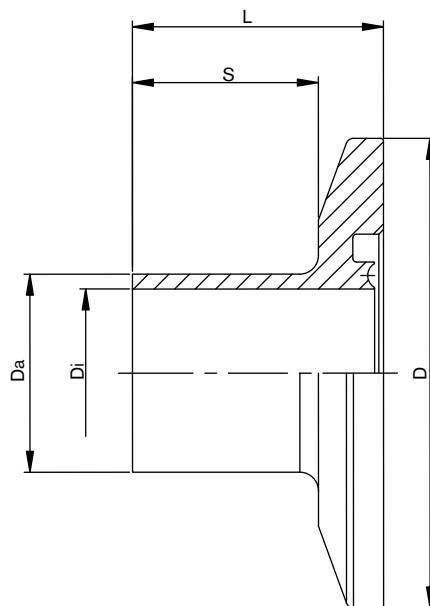
Orifice	C [mm]	D [mm]	Da [mm]	Di [mm]	L [mm]	Article no.	
						EPDM	FEP
BS-OD Dimensions Sterile Quick Connect							
DN1/4"	25.00	41.00	6.35	4.57	54.00	730576	730578
DN3/8"	25.00	41.00	9.53	7.75	54.00	743032	743033
DN1/2"	25.00	41.00	12.70	9.40	54.00	730584	730586
DN3/4"	25.00	41.00	19.05	15.75	54.00	730592	730594
DN1"	50.50	72.00	25.40	22.10	54.00	730600	730602
DN1 1/2"	50.50	72.00	38.10	34.80	54.00	730607	730609
DN2"	64.00	87.00	50.80	47.50	54.00	730615	730617
DN2 1/2"	77.50	99.00	63.50	60.20	54.00	730623	730625
DN3"	91.00	113.00	76.20	72.90	60.00	730631	730633
DN4"	119.00	140.00	101.60	97.38	60.00	730639	730641
DIN Dimensions Sterile Quick Connect							
DN08	25.00	41.00	10.00	8.00	54.00	730757	730759
DN10	25.00	41.00	12.00	10.00	54.00	730765	730767
DN10	25.00	41.00	13.00	10.00	54.00	744384	744385
DN15	50.50	55.00	19.00	16.00	54.00	730781	730783
DN20	50.50	55.00	23.00	20.00	54.00	730789	730791
DN25	50.50	72.00	29.00	26.00	54.00	730799	730800
DN32	64.00	87.00	35.00	32.00	60.00	730806	730808
DN40	64.00	87.00	41.00	38.00	60.00	730814	730816
DN50	77.50	99.00	53.00	50.00	60.00	730822	730824
DN65	91.00	113.00	70.00	66.00	60.00	730830	730832
DN80	106.00	127.00	85.00	81.00	60.00	730838	730840
DN100	130.00	154.00	104.00	100.00	60.00	730773	730775

Dimensions [mm] Quick Connect female ferrule



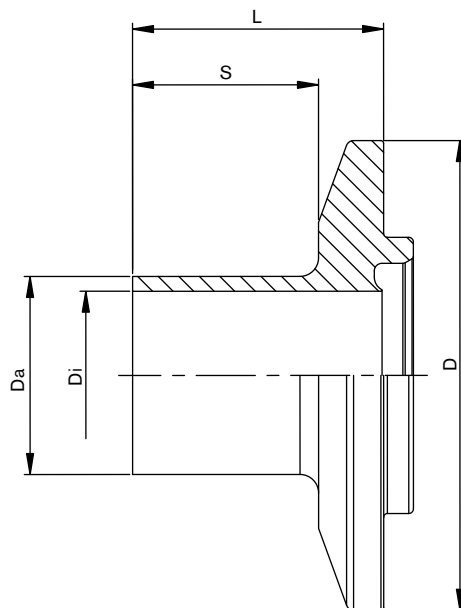
Orifice	D [mm]	Da [mm]	Di [mm]	L [mm]	S [mm]	Article no.
ISO Dimensions Quick Connect female ferrule						
DN08	25.00	13.50	10.30	27.00	18.00	730953
DN10	50.50	17.20	14.00	27.00	20.00	730959
DN15	50.50	21.30	18.10	27.00	20.00	730972
DN20	50.50	26.90	23.70	27.00	20.00	730980
DN25	50.50	33.70	29.70	27.00	18.00	730992
DN32	64.00	42.40	38.40	30.00	20.00	730996
DN40	64.00	48.30	44.30	30.00	21.00	731005
DN50	77.50	60.30	56.30	30.00	21.00	731008
DN65	91.00	76.10	42.10	30.00	21.00	731012
DN80	106.00	88.90	84.30	30.00	20.00	731018
DN100	144.50	114.30	109.70	30.00	20.00	730962

Dimensions [mm] Quick Connect female ferrule, continued



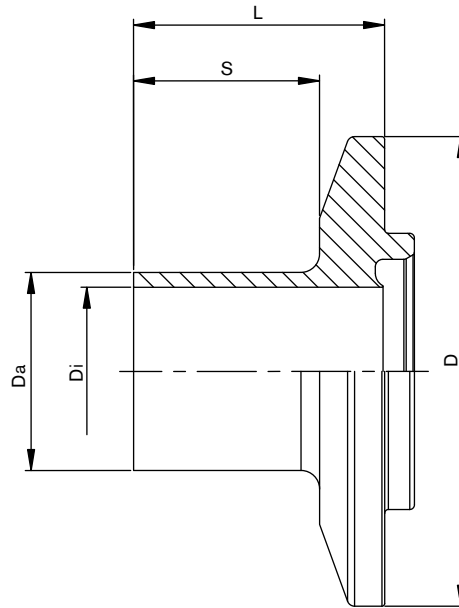
Orifice	D [mm]	Da [mm]	Di [mm]	L [mm]	S [mm]	Article no.
BS-OD Dimensions Quick Connect female ferrule						
DN1/4"	25.00	6.35	4.57	27.00	18.00	730920
DN3/8"	25.00	9.53	7.75	27.00	18.00	743697
DN1/2"	25.00	12.70	9.40	27.00	18.00	730923
DN3/4"	25.00	19.05	15.75	27.00	18.00	730927
DN1"	50.50	25.40	22.10	27.00	18.00	730931
DN1 1/2"	50.50	38.10	34.80	27.00	18.00	730935
DN2"	64.00	50.80	47.50	27.00	18.00	730939
DN2 1/2"	77.50	63.50	60.20	27.00	18.00	730943
DN3"	91.00	76.20	72.90	30.00	21.00	744557
DN4"	119.00	101.60	97.38	30.00	21.00	744396
DIN Dimensions Quick Connect female ferrule						
DN08	25.00	10.00	8.00	27.00	18.00	731024
DN10	25.00	12.00	10.00	27.00	18.00	731030
DN10	25.00	13.00	10.00	27.00	18.00	748225
DN15	50.50	19.00	16.00	27.00	18.00	731036
DN20	50.50	23.00	20.00	27.00	18.00	731038
DN25	50.50	29.00	26.00	27.00	18.00	731044
DN32	64.00	35.00	32.00	30.00	18.00	731047
DN40	64.00	41.00	32.00	30.00	21.00	731051
DN50	77.50	53.00	50.00	30.00	21.00	731055
DN65	91.00	70.00	66.00	30.00	21.00	731059
DN80	106.00	85.00	81.00	30.00	20.00	731063
DN100	130.00	104.00	100.00	30.00	20.00	731032

Dimensions [mm] Quick Connect male ferrule



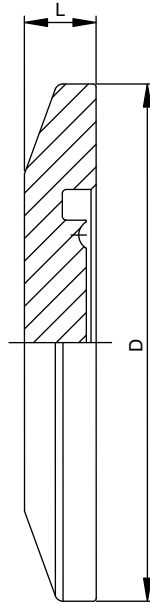
Orifice	D [mm]	Da [mm]	Di [mm]	L [mm]	S [mm]	Article no.
ISO Dimensions Quick Connect male ferrule						
DN08	25.00	13.50	10.30	27.00	18.00	730294
DN10	50.50	17.20	14.00	27.00	20.00	730298
DN15	50.50	21.30	18.10	27.00	20.00	730310
DN20	50.50	26.90	23.70	27.00	20.00	730318
DN25	50.50	33.70	29.70	27.00	18.00	730325
DN32	64.00	42.40	38.40	30.00	20.00	730331
DN40	64.00	48.30	44.30	30.00	21.00	730341
DN50	77.50	60.30	56.30	30.00	21.00	730345
DN65	91.00	76.10	42.10	30.00	21.00	730349
DN80	106.00	88.90	84.30	30.00	20.00	730355
DN100	144.50	114.30	109.70	30.00	20.00	730302

Dimensions [mm] Quick Connect male ferrule, continued



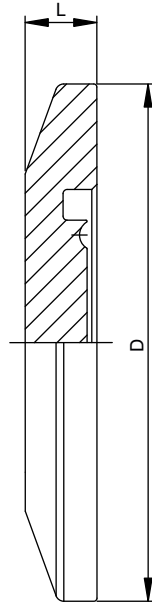
Orifice	D [mm]	Da [mm]	Di [mm]	L [mm]	S [mm]	Article no.
BS-OD Dimensions Quick Connect male ferrule						
DN1/4"	25.00	6.35	4.57	27.00	18.00	730263
DN3/8"	25.00	9.53	7.75	27.00	18.00	743696
DN1/2"	25.00	12.70	9.40	27.00	18.00	730267
DN3/4"	25.00	19.05	15.75	27.00	18.00	730271
DN1"	50.50	25.40	22.10	27.00	18.00	730274
DN1 1/2"	50.50	38.10	34.80	27.00	18.00	730278
DN2"	64.00	50.80	47.50	27.00	18.00	730282
DN2 1/2"	77.50	63.50	60.20	27.00	18.00	730286
DN3"	91.00	76.20	72.90	30.00	21.00	744525
DN4"	119.00	101.60	97.38	30.00	21.00	744390
DIN Dimensions Quick Connect male ferrule						
DN08	25.00	10.00	8.00	27.00	18.00	730360
DN10	25.00	12.00	10.00	27.00	18.00	730366
DN10	25.00	13.00	10.00	27.00	18.00	744391
DN15	50.50	19.00	16.00	27.00	18.00	730372
DN20	50.50	23.00	20.00	27.00	18.00	730374
DN25	50.50	29.00	26.00	27.00	18.00	730380
DN32	64.00	35.00	32.00	30.00	18.00	730382
DN40	64.00	41.00	32.00	30.00	21.00	730386
DN50	77.50	53.00	50.00	30.00	21.00	730390
DN65	91.00	70.00	66.00	30.00	21.00	730392
DN80	106.00	85.00	81.00	30.00	20.00	730396
DN100	130.00	104.00	100.00	30.00	20.00	730368

Dimensions [mm] Quick Connect female ferrule blind cover



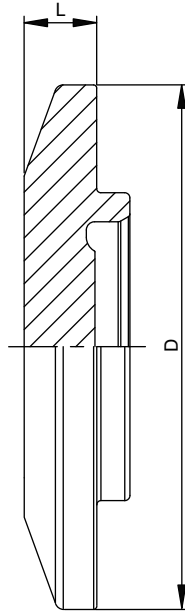
Orifice	D [mm]	L [mm]	Article no.
ISO Dimensions Quick Connect female ferrule blind cover			
DN08	25.00	6.00	731351
DN10	50.50	7.00	731354
DN15	50.50	7.00	731364
DN20	50.50	7.00	731368
DN25	50.50	7.00	731374
DN32	64.00	10.00	731378
DN40	64.00	10.00	731384
DN50	77.50	10.00	731388
DN65	91.00	10.00	731392
DN80	106.00	10.00	731395
DN100	144.50	10.00	731358

Dimensions [mm] Quick Connect female ferrule blind cover, continued



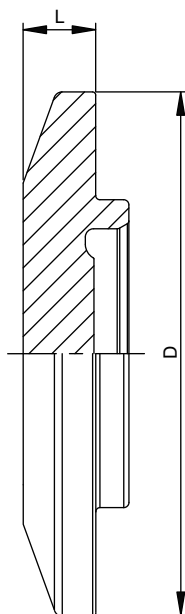
Orifice	D [mm]	L [mm]	Article no.
BS-OD Dimensions Quick Connect female ferrule blind cover			
DN1/4"	25.00	6.00	743700
DN3/8"	25.00	6.00	743699
DN1/2"	25.00	6.00	743698
DN3/4"	25.00	6.00	731345
DN1"	50.50	7.00	743866
DN1 1/2"	50.50	7.00	731347
DN2"	64.00	10.00	743867
DN2 1/2"	77.50	10.00	744445
DN3"	91.00	10.00	744447
DN4"	119.00	10.00	744449
DIN Dimensions Quick Connect female ferrule blind cover			
DN08	25.00	6.00	731398
DN10	25.00	7.00	731399
DN15	50.50	7.00	744455
DN20	50.50	7.00	744457
DN25	50.50	7.00	731401
DN32	64.00	10.00	744458
DN40	64.00	10.00	744459
DN50	77.50	10.00	744461
DN65	91.00	10.00	744463
DN80	106.00	10.00	744465
DN100	130.00	10.00	744643

Dimensions [mm] Quick Connect male ferrule blind cover



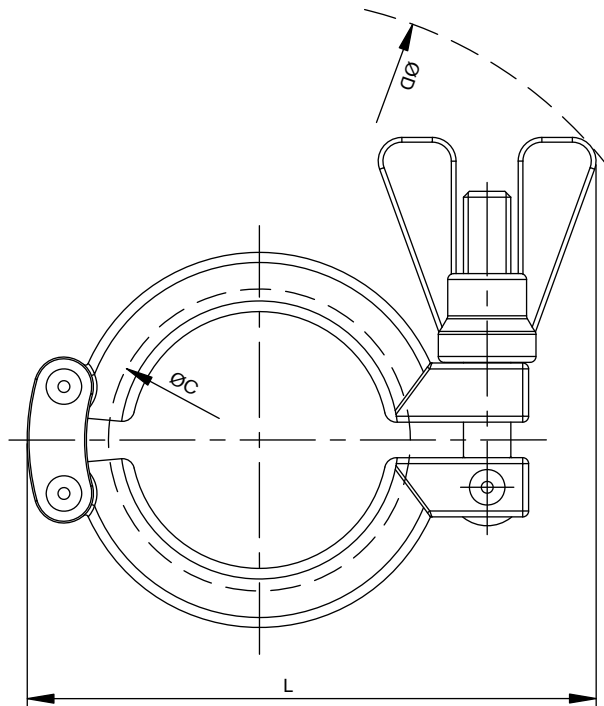
Orifice	D [mm]	L [mm]	Article no.
ISO Dimensions Quick Connect male ferrule blind cover			
DN08	25.00	6.20	731280
DN10	50.50	6.20	731284
DN15	50.50	6.20	731292
DN20	50.50	6.20	731296
DN25	50.50	6.20	731301
DN32	64.00	6.20	731305
DN40	64.00	6.20	731311
DN50	77.50	6.20	731315
DN65	91.00	10.00	731319
DN80	106.00	10.00	731323
DN100	144.50	10.00	744416

Dimensions [mm] Quick Connect male ferrule blind cover, continued



Orifice	D [mm]	L [mm]	Article no.
BS-OD Dimensions Quick Connect male ferrule blind cover			
DN1/4"	25.00	6.20	731262
DN3/8"	25.00	6.20	744406
DN1/2"	25.00	6.20	731264
DN3/4"	25.00	6.20	731266
DN1"	50.50	6.20	731268
DN1 1/2"	50.50	6.20	731270
DN2"	64.00	6.20	731272
DN2 1/2"	77.50	6.20	731274
DN3"	91.00	10.00	731276
DN4"	119.00	10.00	744415
DIN Dimensions Quick Connect male ferrule blind cover			
DN08	25.00	6.20	731327
DN10	25.00	6.20	744418
DN15	50.50	6.20	744421
DN20	50.50	6.20	744423
DN25	50.50	6.20	731335
DN32	64.00	6.20	744425
DN40	64.00	6.20	744427
DN50	77.50	6.20	744428
DN65	91.00	10.00	744430
DN80	106.00	10.00	744432
DN100	130.00	10.00	744420

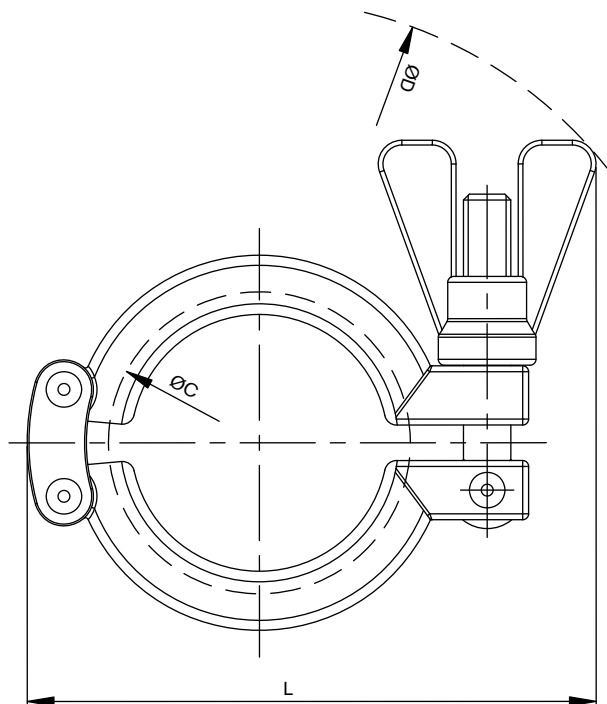
Dimensions [mm] Clamp



depending on availability model either with butterfly nut or porthole nut

Orifice	C [mm]	D [mm]	L [mm]	Article no.
ISO Dimensions Clamp				
DN08	25.00	130.00	64.00	731146
DN10	50.50	154.00	93.00	731164
DN15	50.50	154.00	93.00	731164
DN20	50.50	154.00	93.00	731164
DN25	50.50	154.00	93.00	731164
DN32	64.00	180.00	108.00	731172
DN40	64.00	180.00	108.00	731172
DN50	77.50	200.00	125.00	731174
DN65	91.00	105.00	139.00	731176
DN80	106.00	116.00	144.00	731178
DN100	144.50	230.00	161.00	731152

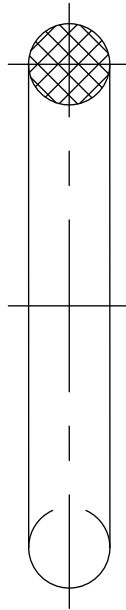
Dimensions [mm] Clamp



depending on availability model either with butterfly nut or porthole nut

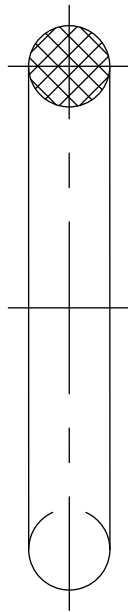
Orifice	C [mm]	D [mm]	L [mm]	Article no.
BS-OD Dimensions Clamp				
DN1/4"	25.00	130.00	64.00	731146
DN3/8"	25.00	130.00	64.00	731146
DN1/2"	25.00	130.00	64.00	731146
DN3/4"	25.00	130.00	64.00	731146
DN1"	50.50	154.00	93.00	731164
DN1 1/2"	50.50	154.00	93.00	731164
DN2"	64.00	180.00	108.00	731172
DN2 1/2"	77.50	200.00	125.00	731174
DN3"	91.00	105.00	139.00	731176
DN4"	119.00	240.00	171.00	731144
DIN Dimensions Clamp				
DN08	25.00	130.00	64.00	731146
DN10	25.00	130.00	64.00	731146
DN15	50.50	154.00	93.00	731164
DN20	50.50	154.00	93.00	731164
DN25	50.50	154.00	93.00	731164
DN32	64.00	180.00	108.00	731172
DN40	64.00	180.00	108.00	731172
DN50	77.50	200.00	125.00	731174
DN65	91.00	105.00	139.00	731176
DN80	106.00	116.00	144.00	731178
DN100	130.00	240.00	173.00	731154

Dimensions [mm] ISO O-Rings for Quick Connect connection



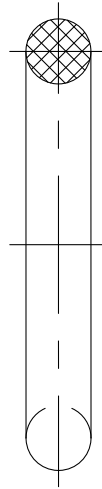
Orifice	Article no. EPDM	Article no. FEP
ISO O-Rings for Quick Connect connection		
DN08	730983	on request
DN10	731004	731006
DN15	731058	731060
DN20	731101	731103
DN25	731141	731143
DN32	731187	731189
DN40	731216	731218
DN50	731267	731269
DN65	731287	731289
DN80	731310	731312
DN100	731031	731033
Orifice	Article no. Silicone	Article no. FKM
ISO O-Rings for Quick Connect connection		
DN08	730989	on request
DN10	731015	731017
DN15	731068	731070
DN20	731110	731112
DN25	731151	731153
DN32	731195	731198
DN40	731226	731228
DN50	on request	on request
DN65	731295	731297
DN80	731318	731320
DN100	731037	731039

Dimensions [mm] BS-OD O-Rings for Quick Connect connection



Orifice	Article no. EPDM	Article no. FEP
BS-OD O-Rings for Quick Connect connection		
DN1/4"	730750	730752
DN3/8"	730356	730358
DN1/2"	730766	730768
DN3/4"	730792	730794
DN1"	730811	730813
DN1 1/2"	730837	730839
DN2"	730867	730870
DN2 1/2"	730890	730892
DN3"	730913	730915
DN4"	730938	730940
Orifice	Article no. Silicone	Article no. FKM
BS-OD O-Rings for Quick Connect connection		
DN1/4"	730754	730756
DN3/8"	730361	730363
DN1/2"	730770	730772
DN3/4"	730796	730798
DN1"	730815	730817
DN1 1/2"	730841	730843
DN2"	730872	730874
DN2 1/2"	730894	730896
DN3"	730917	730919
DN4"	730942	730944

Dimensions [mm] DIN O-Rings for Quick Connect connection



Orifice	Article no. EPDM	Article no. FEP
DIN O-Rings for Quick Connect connection		
DN08	730356	730358
DN10	730369	730371
DN15	730412	730414
DN20	730460	730462
DN25	730497	730499
DN32	730546	730548
DN40	730573	730575
DN50	730606	730608
DN65	730647	730649
DN80	730678	730680
DN100	730389	730391
Orifice	Article no. Silicone	Article no. FKM
DIN O-Rings for Quick Connect connection		
DN08	730361	730363
DN10	730373	730375
DN15	730416	730418
DN20	730464	730466
DN25	730501	730503
DN32	730550	730552
DN40	730577	730579
DN50	730610	730612
DN65	730651	730653
DN80	730682	730684
DN100	730393	730395

DTS 1000148954 EN Version: K Status: RL (released | freigegeben | valide) printed: 14.08.2018

To find your nearest Bürkert facility, click on the orange box → www.burkert.com

In case of special application conditions,
 please consult for advice.

Subject to alteration.
 © Christian Bürkert GmbH & Co. KG

1808/8_EUen_00895173