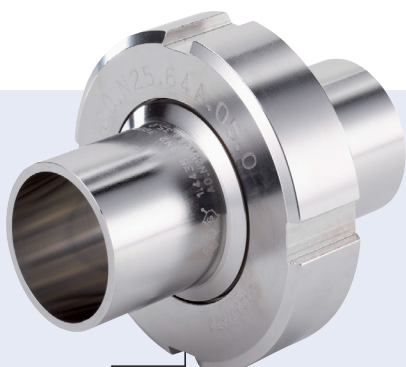


BBS-03

Threaded connection
acc. to DIN 11864 - 1

Aseptic weld end threaded connection



- Design acc. to DIN 11864 - 1
- All medium contact materials traceable
- Component of the BBS modular system

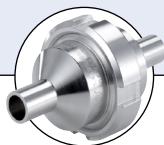
Hygienic Processing components...



Type BBS-3F
Flow indicator



Type BBS-04
Silicone hose



Type BBS-10
Check valve



Type BBS-05
Clamping connection



Type BBS-06
Sterile orbital flange



Type 2103
Diaphragm valve

The Aseptic weld end threaded connection makes use of a defined sealing profile. A secure connection between the components is guaranteed.

Only small residues are possible, which allows good process safety and reduces cleaning time and liquid waste.

The Aseptic weld end threaded connection is a part of the BBS modular system which simplifies spare part requirements and offers a high flexibility.

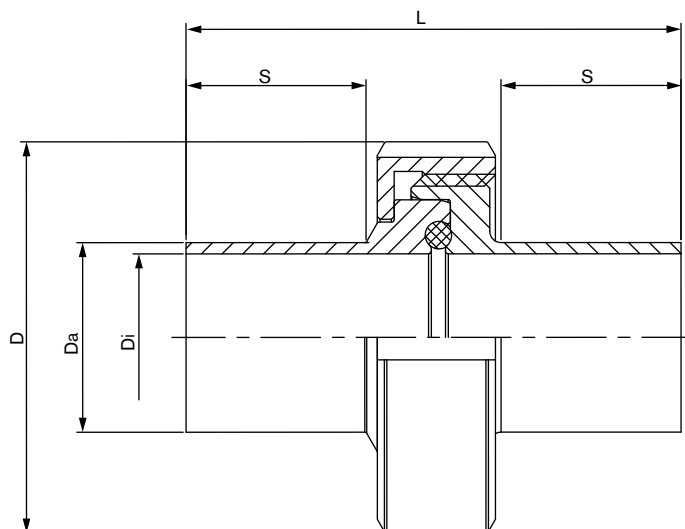
As an alternative connection with even higher performance we recommend the BBS sterile threaded connection which is guaranteed crevice free. More information you can find in our data sheet for type BBS-03 - standard sterile threaded connection.

Applications

- Biotechnology
- Pharmaceutical
- Chemical industry
- Dairy
- Food
- Cosmetic

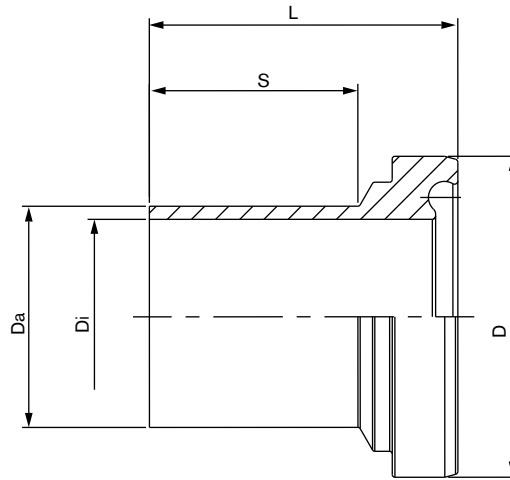
Technical data	
Available standard sizes	ISO DN08 to DN80 DIN DN10 to DN100 BS-OD DN1/2" to DN4"
Material medium contact	Stainless steel 1.4435 BN2 (316L) Special materials on request
Material medium separated	1.4305 or equivalent
Connection	Rounded thread acc. to DIN 405-1
Seals	O-Ring, EPDM, PTFE, Special seal materials on request
Surface quality	Medium contacted surface < Ra 0.8µm, electro polished, finer surface on request
Operating temperature	EPDM seal material: -40 °C to 90 °C, temporary to 140 °C FEP seal material: -60 °C to 160 °C, temporary to 205 °C
Ambient temperature	-20 to +80 °C
Media	Gases or liquids
Operating pressure	ISO DN08 to DN25 = 40 bar ISO DN32 to DN80 = 25 bar DIN DN10 to DN40 = 40 bar DIN DN50 to DN100 = 25 bar BS-OD DN1/2" to DN1 1/2" = 40 bar BS-OD DN2" to DN4" = 25 bar
Applicable standards	Pipe connection acc. to DIN 11866 ISO dimensions series B (ISO 4200) DIN dimensions Series A (DIN 11850) BS-OD dimensions Series C (ASME BPE) Sealing acc. to DIN 11864-1, Form A
Certifications	FDA for all specified seal materials, USP Class VI for EPDM, PTFE and FEP

Dimensions [mm] Aseptic threaded connection acc. to DIN 11864 - 1



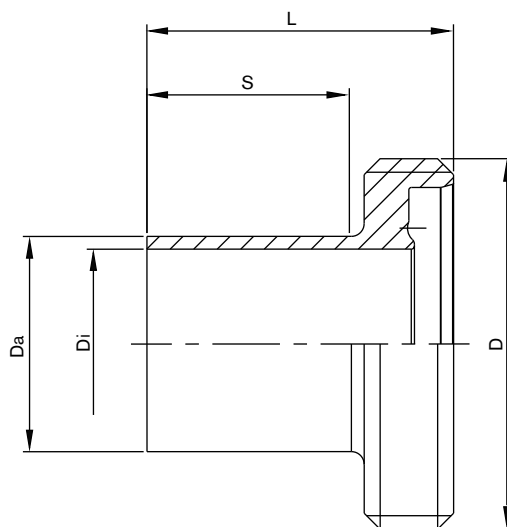
Orifice	D [mm]	Da [mm]	Di [mm]	L [mm]	S [mm]	Article no. EPDM	Article no. FEP
ISO Dimensions Aseptic threaded connection							
DN08	38.00	13.50	10.30	76.00	27.00	732231	732233
DN10	44.00	17.20	14.00	76.00	27.00	732245	732247
DN15	54.00	21.30	18.10	78.00	27.00	732255	732257
DN20	63.00	26.90	23.70	78.00	27.00	732267	732269
DN25	70.00	33.70	29.70	88.00	32.00	732280	732282
DN32	78.00	42.40	38.40	88.00	32.00	732292	732294
DN40	92.00	48.30	44.30	90.00	33.00	732302	732304
DN50	112.00	60.30	56.30	114.00	40.00	732314	732316
DN65	127.00	76.10	72.10	117.00	40.00	732324	732326
DN80	148.00	88.90	84.30	122.00	40.00	732328	732330
DIN Dimensions Aseptic threaded connection							
DN10	38.00	12.00	10.00	76.00	27.00	744731	744733
DN10	38.00	13.00	10.00	76.00	27.00	744730	744732
DN15	44.00	19.00	16.00	76.00	27.00	744736	744737
DN20	54.00	23.00	20.00	76.00	27.00	744738	744739
DN25	63.00	29.00	26.00	77.00	27.00	744740	744741
DN32	70.00	35.00	32.00	88.00	32.00	744742	744743
DN40	78.00	41.00	38.00	88.00	32.00	744335	744744
DN50	92.00	53.00	50.00	89.00	32.00	744336	744745
DN65	112.00	70.00	66.00	113.00	40.00	744746	744747
DN80	127.00	85.00	81.00	117.00	40.00	744748	744749
DN100	148.00	104.00	100.00	120.00	40.00	744734	744735
BS-OD Dimensions Aseptic threaded connection							
DN1/2"	38.00	12.70	9.40	76.00	27.00	744775	744776
DN3/4"	44.00	19.05	15.75	76.00	27.00	744777	744778
DN1"	63.00	25.40	22.10	77.00	27.00	732209	744779
DN1 1/2"	78.00	38.10	34.80	88.00	32.50	743137	744780
DN2"	89.00	50.80	47.50	89.00	32.50	744781	744782
DN2 1/2"	112.00	63.50	60.20	115.00	40.00	744783	747784
DN3"	127.00	76.20	72.90	117.00	40.00	744785	744786
DN4"	148.00	101.60	97.38	119.00	40.00	744787	744788

Dimensions [mm] Aseptic female ferrule



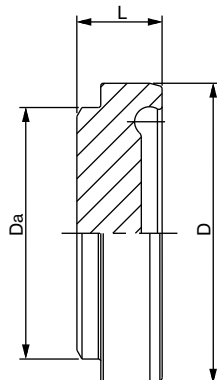
Orifice	D [mm]	Da [mm]	Di [mm]	L [mm]	S [mm]	Article no.
ISO Dimensions Aseptic female ferrule						
DN08	21.90	13.50	10.30	39.00	27.00	731957 调
DN10	27.90	17.20	14.00	39.00	27.00	731965 调
DN15	35.90	21.30	18.10	40.00	27.00	731971 调
DN20	42.90	26.90	23.70	41.00	27.00	731980 调
DN25	48.90	33.70	29.70	47.00	32.00	731986 调
DN32	54.90	42.40	38.40	47.00	32.00	731994 调
DN40	66.90	48.30	44.30	48.00	31.00	732001 调
DN50	84.90	60.30	56.30	62.00	40.00	732007 调
DN65	98.90	76.10	72.10	61.00	40.00	744521 调
DN80	118.90	88.90	84.30	68.00	40.00	732015 调
DIN Dimensions Aseptic female ferrule						
DN10	21.90	12.00	10.00	39.00	27.00	731912 调
DN10	21.90	13.00	10.00	39.00	27.00	744493 调
DN15	27.90	19.00	16.00	39.00	27.00	731918 调
DN20	35.90	23.00	20.00	38.00	26.00	731924 调
DN25	42.90	29.00	26.00	40.00	26.00	731926 调
DN32	48.90	35.00	32.00	47.00	32.00	731928 调
DN40	54.90	41.00	38.00	47.00	31.00	731932 调
DN50	66.90	53.00	50.00	48.00	30.00	731936 调
DN65	84.90	70.00	66.00	61.00	40.00	731938 调
DN80	98.90	85.00	81.00	61.00	40.00	731942 调
DN100	118.90	104.00	100.00	66.00	40.00	731916 调
BS-OD Dimensions Aseptic female ferrule						
DN1/2"	21.90	12.70	9.40	39.00	27.00	744503 调
DN3/4"	27.90	19.05	15.75	39.00	27.00	744505 调
DN1"	42.90	25.40	22.10	40.00	26.00	731949 调
DN1 1/2"	54.90	38.10	34.80	46.50	30.00	744507 调
DN2"	66.90	50.80	47.50	47.50	30.00	744509 调
DN2 1/2"	84.90	63.50	60.20	63.00	40.00	744511 调
DN3"	98.90	76.20	72.90	61.00	40.00	744513 调
DN4"	118.90	101.60	97.38	65.00	40.00	744515 调

Dimensions [mm] Aseptic male ferrule threaded



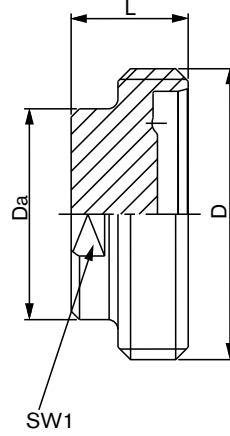
Orifice	D [mm]	Da [mm]	Di [mm]	L [mm]	S [mm]	Article no.
ISO Dimensions Aseptic male ferrule threaded						
DN08	RD 28 × 1/8	13.50	10.30	41.00	27.00	732637 回
DN10	RD 34 × 1/8	17.20	14.00	41.00	27.00	732646 回
DN15	RD 44 × 1/6	21.30	18.10	43.00	27.00	732654 回
DN20	RD 52 × 1/6	26.90	23.70	43.00	27.00	732664 回
DN25	RD 58 × 1/6	33.70	29.70	48.00	32.00	732672 回
DN32	RD 65 × 1/6	42.40	38.40	48.00	32.00	732684 回
DN40	RD 78 × 1/6	48.30	44.30	49.00	31.00	732690 回
DN50	RD 95 × 1/6	60.30	56.30	60.00	40.00	732698 回
DN65	RD 110 × 1/4	76.10	72.10	64.00	40.00	744555 回
DN80	RD 130 × 1/4	88.90	84.30	64.00	40.00	732704 回
DIN Dimensions Aseptic male ferrule threaded						
DN10	RD 28 × 1/8	12.00	10.00	41.00	27.00	732599 回
DN10	RD 28 × 1/8	13.00	10.00	41.00	27.00	744544 回
DN15	RD 34 × 1/8	19.00	16.00	41.00	27.00	732605 回
DN20	RD 44 × 1/6	23.00	20.00	43.00	26.00	732609 回
DN25	RD 52 × 1/6	29.00	26.00	43.00	26.00	732611 回
DN32	RD 58 × 1/6	35.00	32.00	48.00	32.00	732613 回
DN40	RD 65 × 1/6	41.00	38.00	48.00	31.00	732615 回
DN50	RD 78 × 1/6	53.00	50.00	48.00	30.00	732617 回
DN65	RD 95 × 1/6	70.00	66.00	60.00	40.00	732619 回
DN80	RD 110 × 1/4	85.00	81.00	64.00	40.00	732623 回
DN100	RD 130 × 1/4	104.00	100.00	64.00	40.00	732603 回
BS OD Dimensions male ferrule threaded						
DN1/2"	RD 28 × 1/8	12.70	9.40	41.00	27.00	744546 回
DN3/4"	RD 34 × 1/8	19.05	15.75	41.00	27.00	744547 回
DN1"	RD 52 × 1/6	25.40	22.10	43.00	27.00	732629 回
DN1 1/2"	RD 65 × 1/6	38.10	34.80	48.50	26.00	744548 回
DN2"	RD 78 × 1/6	50.80	47.50	48.50	26.00	744549 回
DN2 1/2"	RD 95 × 1/6	63.50	60.20	60.00	32.00	744550 回
DN3"	RD 110 × 1/4	76.20	72.90	64.00	31.00	744551 回
DN4"	RD 130 × 1/4	101.60	97.38	64.00	30.00	744552 回

Dimensions [mm] Aseptic female ferrule blind cover



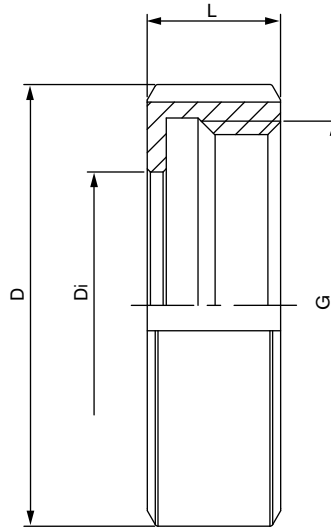
Orifice	D [mm]	Da [mm]	L [mm]	Article no.
ISO Dimensions Aseptic female ferrule blind cover				
DN08	21.90	18.00	10.00	733268
DN10	27.90	24.00	10.00	744640
DN15	35.90	30.00	11.00	733271
DN20	42.90	35.00	13.00	733274
DN25	48.90	41.00	14.00	733278
DN32	54.90	48.00	14.00	733281
DN40	66.90	61.00	15.00	744002
DN50	84.90	79.00	17.00	744003
DN65	98.90	93.00	17.00	744641
DN80	118.90	114.00	21.00	744642
DIN Dimensions Aseptic female ferrule blind cover				
DN10	21.90	18.00	10.00	744623
DN15	27.90	24.00	10.00	744625
DN20	35.90	30.00	11.00	744626
DN25	42.90	35.00	13.00	733265
DN32	48.90	41.00	14.00	744627
DN40	54.90	48.00	14.00	744628
DN50	66.90	61.00	15.00	744629
DN65	84.90	93.00	17.00	744630
DN80	98.90	93.00	17.00	744631
DN100	118.90	114.00	21.00	744624
BS-OD Dimensions Aseptic female ferrule blind cover				
DN1/2"	21.90	18.00	10.00	744632
DN3/4"	27.90	24.00	10.00	744633
DN1"	42.90	35.00	13.00	744634
DN1 1/2"	54.90	38.00	14.00	744635
DN2"	66.90	61.00	15.00	744636
DN2 1/2"	84.90	79.00	17.00	744637
DN3"	98.90	93.00	17.00	744638
DN4"	118.90	114.00	21.00	744639

Dimensions [mm] Aseptic male ferrule blind cover threaded



Orifice	D [mm]	Da [mm]	L [mm]	SW [mm]	Article no.
ISO Dimensions Aseptic male ferrule blind cover threaded					
DN08	RD 28 × 1/8	21.00	18.00	17.00	733214
DN10	RD 34 × 1/8	25.00	20.00	22.00	744620
DN15	RD 44 × 1/6	35.00	22.00	32.00	733223
DN20	RD 52 × 1/6	44.00	24.00	41.00	742903
DN25	RD 58 × 1/6	45.00	24.00	41.00	733233
DN32	RD 65 × 1/6	54.00	24.00	50.00	744004
DN40	RD 78 × 1/6	70.00	24.00	65.00	744005
DN50	RD 95 × 1/6	87.00	28.00	80.00	744006
DN65	RD 110 × 1/4	100.00	28.00	95.00	744621
DN80	RD 130 × 1/4	120.00	30.00	115.00	744622
DIN Dimensions Aseptic male ferrule blind cover threaded					
DN10	RD 28 × 1/8	21.00	20.00	17.00	744597
DN15	RD 34 × 1/8	25.00	20.00	22.00	744600
DN20	RD 44 × 1/6	35.00	22.00	32.00	744601
DN25	RD 52 × 1/6	44.00	24.00	41.00	744602
DN32	RD 58 × 1/6	45.00	24.00	41.00	744603
DN40	RD 65 × 1/6	60.00	24.00	55.00	744604
DN50	RD 78 × 1/6	72.00	24.00	65.00	744605
DN65	RD 95 × 1/6	87.00	28.00	80.00	744268
DN80	RD 110 × 1/4	100.00	28.00	95.00	744269
DN100	RD 130 × 1/4	120.00	30.00	115.00	744599
BS-OD Dimensions Aseptic male ferrule blind cover threaded					
DN1/2"	RD 28 × 1/8	21.00	20.00	17.00	744612
DN3/4"	RD 34 × 1/8	25.00	20.00	22.00	744613
DN1"	RD 52 × 1/6	44.00	24.00	41.00	744614
DN1 1/2"	RD 65 × 1/6	60.00	24.00	55.00	744615
DN2"	RD 78 × 1/6	72.00	24.00	65.00	744616
DN2 1/2"	RD 95 × 1/6	87.00	28.00	80.00	744617
DN3"	RD 110 × 1/4	100.00	28.00	95.00	744618
DN4"	RD 130 × 1/4	120.00	30.00	115.00	744619

Dimensions [mm] Union nut with rounded thread



Orifice	D [mm]	G [mm]	Di [mm]	L [mm]	Article no.
ISO Dimensions Union nut with rounded thread					
DN08	38.00	RD 28 × 1/8	19.00	18.00	732973 回
DN10	44.00	RD 34 × 1/8	25.00	18.00	732981 回
DN15	54.00	RD 44 × 1/6	31.00	20.00	732989 回
DN20	63.00	RD 52 × 1/6	36.00	21.00	732997 回
DN25	70.00	RD 58 × 1/6	42.00	21.00	733005 回
DN32	78.00	RD 65 × 1/6	49.00	21.00	733013 回
DN40	92.00	RD 78 × 1/6	62.00	22.00	733019 回
DN50	112.00	RD 95 × 1/6	80.00	25.00	733027 回
DN65	127.00	RD 110 × 1/4	94.00	29.00	733033 回
DN80	148.00	RD 130 × 1/4	115.00	31.00	733039 回
DIN Dimensions Union nut with rounded thread					
DN10	38.00	RD 28 × 1/8	19.00	18.00	732973 回
DN15	44.00	RD 34 × 1/8	25.00	18.00	732981 回
DN20	54.00	RD 44 × 1/6	31.00	20.00	732989 回
DN25	63.00	RD 52 × 1/6	36.00	21.00	732997 回
DN32	70.00	RD 58 × 1/6	42.00	21.00	733005 回
DN40	78.00	RD 65 × 1/6	49.00	21.00	733013 回
DN50	92.00	RD 78 × 1/6	62.00	22.00	733019 回
DN65	112.00	RD 95 × 1/6	80.00	25.00	733027 回
DN80	127.00	RD 110 × 1/4	94.00	29.00	733033 回
DN100	148.00	RD 130 × 1/4	115.00	31.00	733039 回
BS OD Dimensions Union nut with rounded thread					
DN1/2"	38.00	RD 28 × 1/8	19.00	18.00	732973 回
DN3/4"	44.00	RD 34 × 1/8	25.00	18.00	732981 回
DN1"	63.00	RD 52 × 1/6	36.00	21.00	732997 回
DN1 1/2"	78.00	RD 65 × 1/6	49.00	21.00	733013 回
DN2"	92.00	RD 78 × 1/6	62.00	22.00	733019 回
DN2 1/2"	112.00	RD 95 × 1/6	80.00	25.00	733027 回
DN3"	127.00	RD 110 × 1/4	94.00	29.00	733033 回
DN4"	148.00	RD 130 × 1/4	115.00	31.00	733039 回

Dimensions [mm] BS-OD O-Rings for aseptic threaded connection



Orifice	Article no. EPDM	Article no. FEP
ISO O-Rings for aseptic threaded connection		
DN08	730993	730995
DN10	731021	731023
DN15	731077	731079
DN20	731118	731120
DN25	731157	731159
DN32	731202	731204
DN40	731232	731234
DN50	731271	731273
DN65	731299	731302
DN80	731324	731326

Orifice	Article no. EPDM	Article no. FEP
DIN O-Rings for aseptic threaded connection		
DN10	730383	730385
DN15	730435	730437
DN20	730480	730483
DN25	730515	730517
DN32	730569	730566
DN40	730593	730591
DN50	730624	730626
DN65	730655	730657
DN80	730692	730694
DN100	730406	730408

Orifice	Article no. EPDM	Article no. FEP
BS-OD O-Rings for aseptic threaded connection		
DN1/2"	730788	730790
DN3/4"	730803	730805
DN1"	730825	730827
DN1 1/2"	730855	730857
DN2"	730878	730880
DN2 1/2"	730903	730905
DN3"	730924	730926
DN4"	730946	730948

DTS 1000175495 EN Version: G Status: RL (released | freigegeben | valide) printed: 12.07.2018

To find your nearest Bürkert facility, click on the orange box → www.burkert.com

In case of special application conditions,
 please consult for advice.

Subject to alteration.
 © Christian Bürkert GmbH & Co. KG

1807/5_EU-en_00895192

Specification key (other versions on request)

Example

BBS-03 - AR - TA - 25.0 - AB - VH - SD44 - HAGF XXX NK52 + NO10

Specification key

Delivery (LIUM)

AD	Reducer eccentric
AE	Extension fitting
AG	Eccentric extension fitting
AX	Complete connection
AF	Weld fitting
AN	Nut
AR	Reducer
AB	Blind cover

Connection Type (VRBT)

TA	Aseptic thread acc. to DIN 11864-1 Form A
----	---

Seal Material (DWST)

AB	EPDM
FE	FEP

Material (WKST)

HA	Hastelloy C2
VI	1.4435 acc. BN2 and 316L acc. to ASME BPE chart DT3
VU	1.4539
VN	1.4410
VV	1.4547

LTA2 see page 2

Internal polishing

NO10	int. electro polished (Standard) Ra = 0.8 µm
------	--

Certificate

NK52	3.1 Certificate (Standard)
------	----------------------------

Orifice (DN)

08.0
10.0
20.0
25.0
32.0
40.0
50.0
65.0
80.0
0100

Connection (VRB)

T11	Thread Rd28 × 1/8"
T12	Thread Rd34 × 1/8"
T13	Thread Rd44 × 1/6"
T14	Thread Rd52 × 1/6"
T15	Thread Rd58 × 1/6"
T16	Thread Rd65 × 1/6"
T17	Thread Rd78 × 1/6"
T18	Thread Rd95 × 1/6"
T19	Thread Rd110 × 1/4"
T20	Thread Rd130 × 1/4"
T21	Thread Rd160 × 1/4"
T22	Thread Rd190 × 1/4"

Weld connection (LTA1) (0000 for blind cover)

Port connection [mm]	EN ISO 1127/ ISO 4200	DIN 11850 row 0	row 1	row 2	row 3	BS 4825	ASME BPE
8	SA40=13.5 × 1.6	SC42=10 × 1.0	SF40=12 × 1.0	SD40=13 × 1.5	SE40=14 × 2.0	SODB=6.35 × 1.2	SA90=6.35 × 0.89
10	SA41=17.2 × 1.6		SF41=18 × 1.0	SD42=19 × 1.5	SE42=20 × 2.0	SODC=9.53 × 1.2	SA91=9.53 × 0.89
15	SA42=21.3 × 1.6	SC43=18 × 1.5	SF41=18 × 1.0	SD42=19 × 1.5	SE42=20 × 2.0	SODD=12.7 × 1.2	SA92=12.7 × 1.65
20	SA43=26.9 × 1.6	SC44=22 × 1.5	SF42=22 × 1.0	SD43=23 × 1.5	SE43=24 × 2.0	SODE=19.05 × 1.2	SA93=19.05 × 1.65
25	SA44=33.7 × 2.0	SC45=28 × 1.5	SF43=28 × 1.0	SD44=29 × 1.5	SE44=30 × 2.0		SODF=25.4 × 1.65
32	SA45=42.4 × 2.0	SC46=34 × 1.5	SF44=34 × 1.0	SD45=35 × 1.5	SE45=36 × 2.0		
40	SA46=48.3 × 2.0	SC47=40 × 1.5	SF45=40 × 1.0	SD46=41 × 1.5	SE46=42 × 2.0		SODH=38.1 × 1.65
50	SA47=60.3 × 2.0	SC48=52 × 1.5	SF46=52 × 1.0	SD47=53 × 1.5	SE47=54 × 2.0		SODI=50.8 × 1.65
65	SA48=76.1 × 2.0			SD48=70 × 2.0			SODJ=63.5 × 1.65
80	SA49=88.9 × 2.3			SD49=85 × 2.0			SODK=76.2 × 1.65
100	SA39=114.3 × 2.3			SD50=104 × 2.0			SODL=101.6 × 2.11

Specification key LTA2

For complete connections (shipment = AX) LTA2 = LTA1

For fittings

Definition pipe end : hygienic connection	
Position 1	
H	Hygienic connection

Definition pipe end : hygienic connection	
Position 2	
A	Pipe connection acc. DIN 11864 - 1 form A

Definition pipe end : hygienic connection		
Position 3		
A	Female ferrule	for pipe acc. to ASME BPE
B	Male ferrule threaded	for pipe acc. to ASME BPE
D	Female ferrule	for pipe acc. to DIN EN ISO 1127
E	Male ferrule threaded	for pipe acc. to DIN EN ISO 1127
G	Female ferrule	for pipe acc. to DIN 11850
H	Male ferrule threaded	for pipe acc. to DIN 11850

Pipe size information		
Position 4		
	DIN; ISO	ASME BPE
B	DN08	DN1/4"
C	DN10	DN3/8"
D	DN15	DN1/2"
E	DN20	DN3/4"
F	DN25	DN1"
G	DN32	DN1 1/4"
H	DN40	DN1 1/2"
I	DN50	DN2"
K	DN65	DN2 1/2"
L	DN80	DN3"
M	DN100	DN4"
P	DN10 (12 x 1)	-
Q	DN04	-