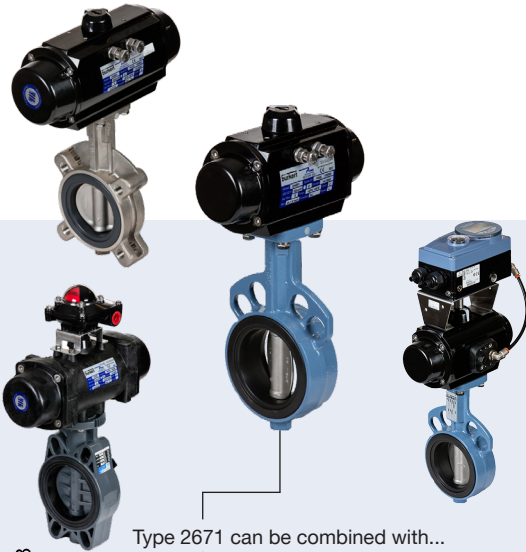


## Butterfly valves manual & pneumatically actuated

- Self-lubrication bearing for longer service life
- Through shaft design
- Low torque high pressure design
- Rugged actuator mounted to ISO pad (standard)

DTS 1000355503 EN Version: - Status: RL (released | freigegeben | valide) printed: 03.05.2018



Type 2671 can be combined with...



**Type 8793**  
Digital Process Controller



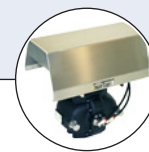
**Type 2672**  
Butterfly valve with electric actuator



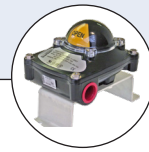
**Type 1061**  
Accessory for pneumatic rotary actuators



**Type 6519 Namur**  
Pilot valve, direct mount to actuator



**Protective hood**  
For field mount positioners



**Type 1061**  
Limit box

2/2 way Butterfly Valves used for control and on/off operations. Due to the fact that the valves are available with different body types (wafer or lug type) and materials, they perfectly meet the requirements of diverse applications and processes.

Usually they are used in application fields such as, for example, the water industry, power generation, pulp and paper, mining, food & beverage, environmental and mechanical engineering.

Further features and benefits are:

- Through shaft for self centering disc --> even wear and low torques.
- Can be installed in any desired position.
- Maintenance-free; simple to disassemble

### Applications:

- Water & wastewater applications
- Food & beverage
- Chemical and petrochemical
- Gas & energy applications
- Mineral processing, steel mills

Technical data	
<b>Orifice</b>	DN50 to 600
<b>Body</b>	Wafer & Lug
<b>Body material</b>	Cast iron, ductile iron, stainless steel & PVC
<b>Disc material</b>	316 S/S for metal valves, PVC for PVC
<b>Seal material</b>	EPDM (NBR, FKM on request)
<b>Medium temperature</b>	-10°C to +120°C Metal / 0-60°C PVC (pressure, media and material dependent)
<b>Medium Pressure</b>	max. 16 bar* Refer to ordering chart
<b>Flange connections</b>	Wafer - Table D,E, ANS1150 & Din standard Lugged - Table E (other flanges available)
<b>ISO top flange</b>	EN ISO 5211

**Technical data: valve**

Torque (All Figures include a 30% safety Figure)

**Cast, Ductile & Stainless valves Lubricating (Non Corrosive) [Nm]**

DN [mm]	Size	Operating pressure [bar]			
		3	6	10	16
50	2	15	17	19	23
65	2 1/2	18	20	22	26
80	3	28	31	34	41
100	4	37	41	45	54
125	5	61	68	76	91
150	6	116	127	140	154
200	8	171	190	211	253
250	10	275	306	340	408
300	12	381	423	470	564
350	14	545	605	672	
400	16	728	809	899	
450	18	912	1013	1126	
500	20	1135	1261	1401	
600	24	1325	1472	1636	

**Cast, Ductile & Stainless valves Dry (Non-Lubricating) [Nm]**

DN [mm]	Size	Operating pressure [bar]		
		3	6	10
50	2	19	21	23
65	2 1/2	22	24	27
80	3	34	38	42
100	4	45	50	56
125	5	76	84	93
150	6	126	138	152
200	8	211	234	260
250	10	340	378	420
300	12	470	522	580
350	14	672	747	830
400	16	899	999	1110
450	18	1126	1251	1390
500	20	1401	1557	1730
600	24	1636	1818	2020

**PVC Valves [Nm]**

DN [mm]	Size	Operating pressure 10 bar
65	2 1/2	16
80	3	33
100	4	49
125	5	71
150	6	117
200	8	182

## Technical data: valve

### Kv Value

- The Kv-value (m<sup>3</sup>/hr) is the flow of water at a temperature of 5°C to 30°C (41 °F to 86 °F) at 1bar.
- Permissible velocity of flow V<sub>max</sub> 4.5 m/s for liquids and V<sub>max</sub> 70 m/s for gases.
- The throttle function is linear at an angle 30° to 70°.
- Avoid cavitation!

For further values, please contact our engineers.

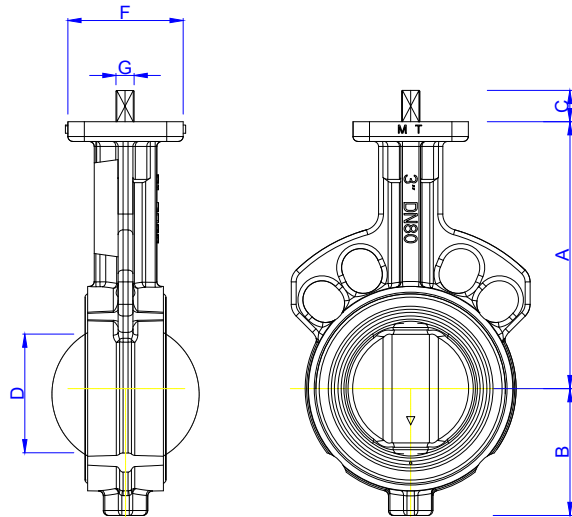
### Cast, Ductile & Stainless Steel valves

DN [mm]	Size	Opening angle								
		10°	20°	30°	40°	50°	60°	70°	80°	90°
50	2	1.12	3.81	10.29	22.23	38.49	60.72	101.21	133.56	195.32
65	2 1/2	1.99	7.61	18.42	35.47	61.76	96.19	189.26	242.89	318.84
80	3	2.51	9.95	26.30	48.61	83.99	127.50	216.60	342.11	430.16
100	4	3.81	14.79	39.44	72.83	120.41	223.69	365.38	613.29	731.70
125	5	6.57	24.31	62.76	119.46	219.62	398.77	606.19	1050.54	1257.97
150	6	10.12	41.52	96.19	177.15	329.91	548.50	883.51	1275.18	1881.38
200	8	19.20	64.79	167.03	309.67	579.90	1007.03	1585.89	2337.84	3161.66
250	10	28.37	102.24	248.00	456.46	846.06	1479.58	2280.14	3295.22	4814.33
300	12	34.43	130.53	315.73	622.45	1150.71	2150.65	3287.17	5051.17	7143.08
350	14	47.58	164.96	394.70	804.62	1516.09	2604.00	4027.96	5818.25	8419.22
400	16	62.71	233.81	514.16	1089.99	1131.77	3421.77	5449.93	8196.57	11596.10
450	18	75.95	259.07	628.51	1222.59	2342.94	3972.34	6407.06	9588.18	13775.99
500	20	104.23	350.15	869.33	1712.35	3123.17	5412.48	8615.57	13266.94	18973.95
600	24	140.65	499.97	1166.89	2417.76	4519.80	7652.14	12088.98	18306.00	25520.87

### PVC

DN [mm]	Size	Opening angle								
		10°	20°	30°	40°	50°	60°	70°	80°	90°
65	2 1/2	1.02	3.06	8.16	17.34	29.58	47.94	69.36	87.72	98.94
80	3	2.13	6.39	17.04	36.21	61.77	100.11	144.84	183.18	206.61
100	4	3.54	10.62	28.32	60.18	102.66	166.38	240.72	304.44	343.38
125	5	5.91	17.73	47.28	100.47	171.39	277.77	401.88	508.26	573.27
150	6	11.22	33.66	89.76	190.74	325.38	527.34	762.96	964.92	1088.34
200	8	18.3	54.9	146.4	311.1	530.7	860.1	1244.4	1573.8	1775.1

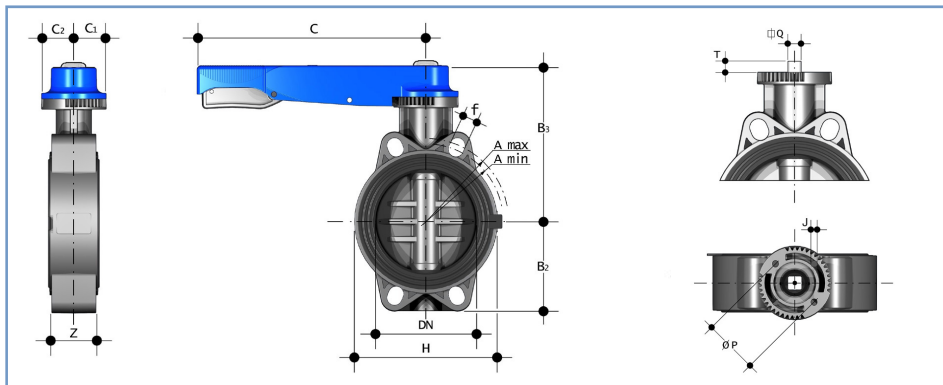
### Wafer Cast Iron / Stainless Steel



DN [mm]	Size [mm]	Face to Face	Dimensions						Mounting Flange Type	Flange PCD	Weight KG
			A	B	C	D	G				
50	2	43	143	65	19	39	11	F07	70	3	
65	2 1/2	46	155	71	19	55	11	F07	70	3.8	
80	3	46	162	77	19	69	11	F07	70	4	
100	4	52	181	107	19	91	11	F07	70	5.3	
125	5	56	197	122	19	115	14	F07	70	7.3	
150	6	56	210	150	19	140	14	F07	70	8.2	
200	8	60	240	165	24	186	17	F10	102	13.5	
250	10	68	286	201	24	239	19	F10	102	21.2	
300	12	78	309	234	24	288	22	F10	102	32.5	
350	14	78	329	303	29	325	27	F12/F14	125/140	48	
400	16	102	361	335	29	375	27	F12/F14	125/140	60	
450	18	114	393	363	38	423	36	F14/F16	140/165	80	
500	20	127	427	397	38	473	36	F14/F16	140/165	125	
600	24	154	492	459	48	560	46	F16	165	200	

### Wafer PVC - Dimensions [mm]

Dimensions [mm]

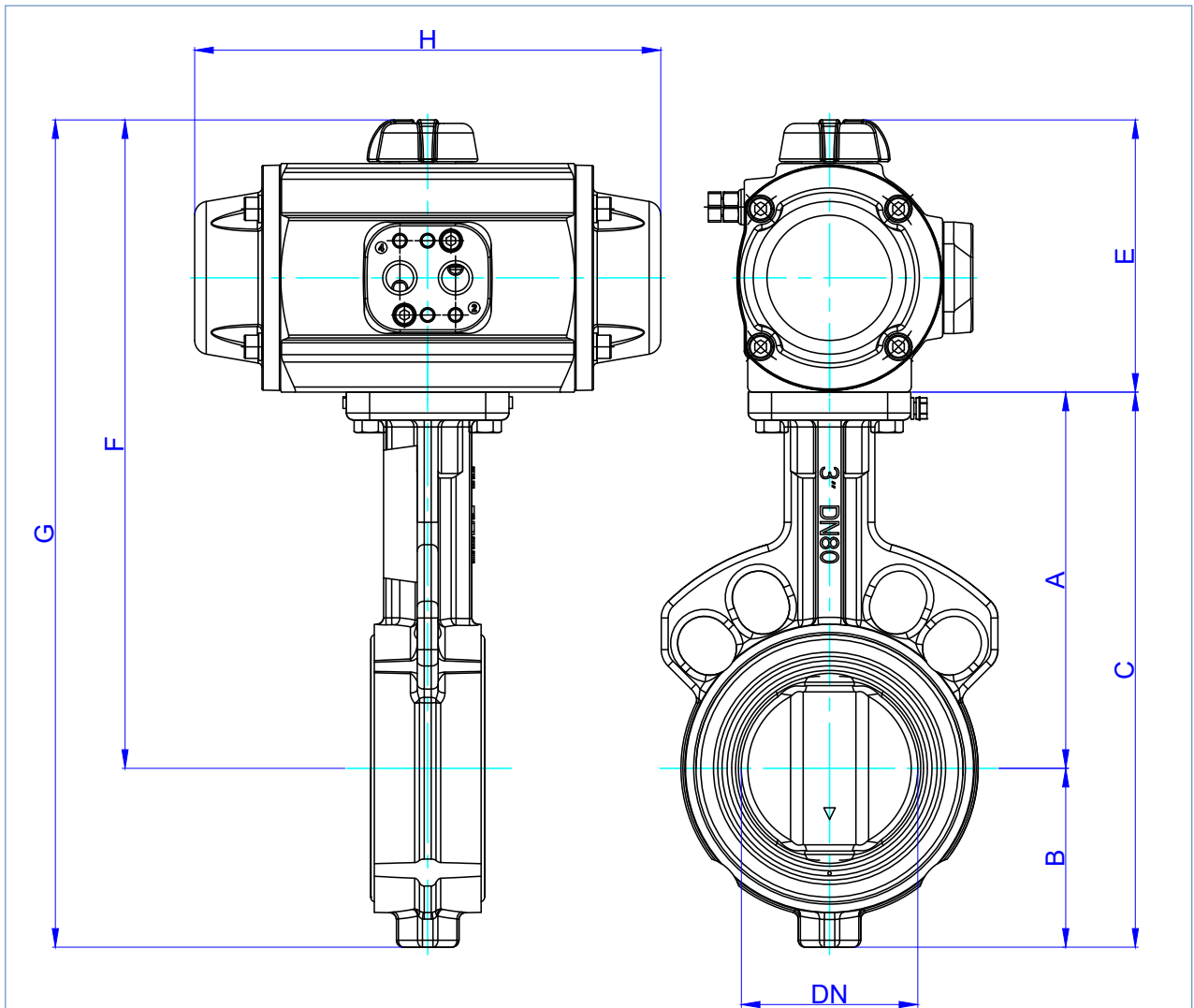


DN	d <sub>0</sub>	A	A	B2	B3	C	C1	C2	f	H	U	Z	J	T	Q	P	ISO 5211
65	75	128	144.00	80	168	175	45	45	19	165	4	46	7	12	11	50	F05
80	90	145	159.00	90	182	250	45	45	19	130	4	49	9	16	14	70	F07
100	110	165	190.00	105	196	250	45	45	19	150	4	56	9	16	14	70	F07
125	140	204	215.00	121	215	335	45	45	23	185	4	64	9	19	17	70	F07
150	160	230	229.00	132	229	335	45	45	23	210	4	70	9	19	17	70	F07
200	225	280	309.00	161	309	425	65	82	23	325	8	71	11	24	22	102	F10

1) Ø Port Connection [mm]

DTS 1000355503 EN Version: - Status: RL (released | freigegeben | valide) printed: 03.05.2018

**Wafer butterfly valves cast iron/stainless steel complete with Rilsan actuator - dimensions [mm]**

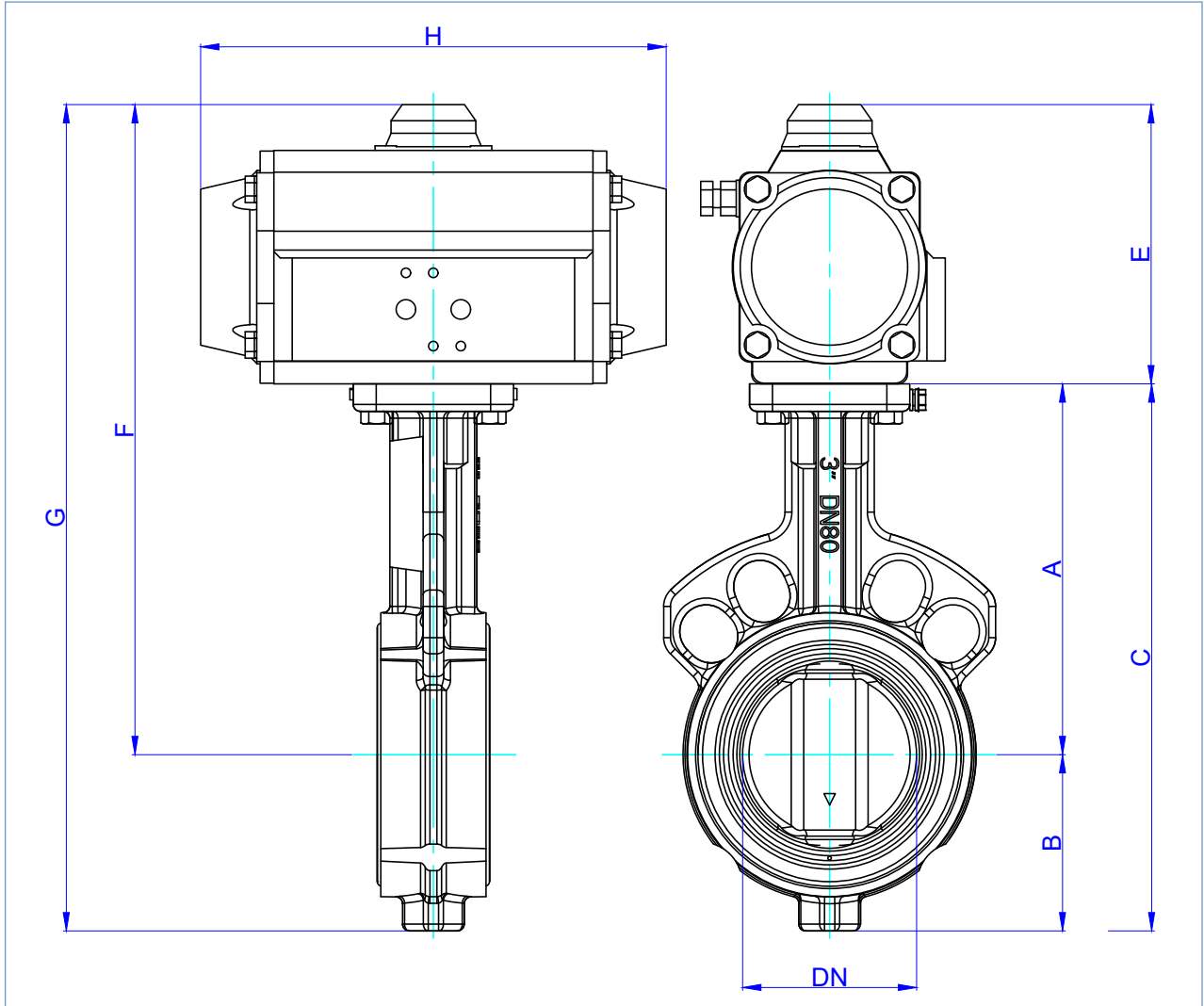


**Rilsan (2052)**

DN [mm]	Size [mm]	Circuit Function		A	B	C	E		F		G		H	
		SR	DA				SR	DA	SR	DA	SR	DA		
50	2	PA10S	PA05	143	65	208	123	119	266	262	331	327	226	201
65	2 1/2	PA10S	PA05	155	71	226	123	119	278	274	349	345	226	201
80	3	PA15S	PA05	162	77	239	139	119	301	281	378	358	265	201
100	4	PA20S	PA10	181	107	288	147	123	328	304	435	411	312	226
125	5	PA25S	PA15	197	122	319	175	139	372	336	494	458	358	265
150	6	PA30S	PA25	210	150	360	191	175	401	385	551	535	429	358
200	8	P40S	PA25	240	165	405	272	175	512	415	677	580	598	358
250	10	P40S	PA30	286	201	487	272	191	558	477	759	678	598	429
300	12	P40S	P40	309	234	543	272	272	581	581	815	815	598	444

DTS 1000355503 EN Version: - Status: RL (released | freigegeben | valide) printed: 03.05.2018

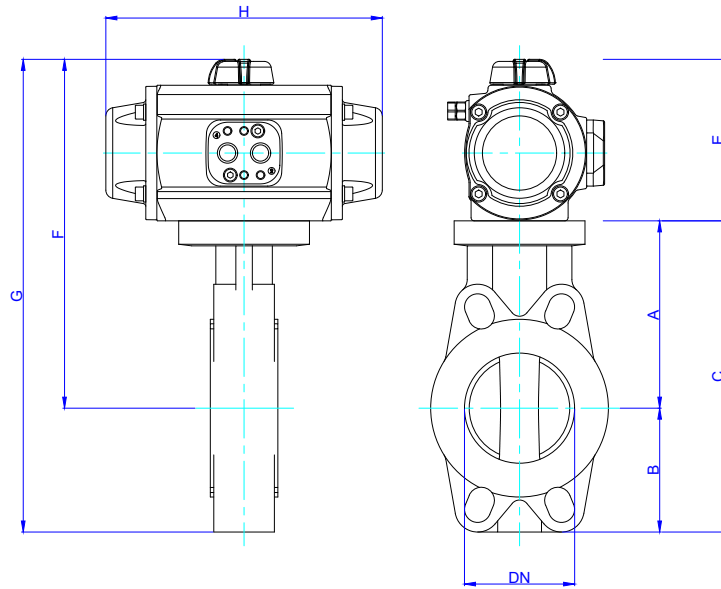
**Wafer butterfly valves cast iron/stainless steel complete with Anodised actuator - dimensions [mm]**



**Anodised (2051)**

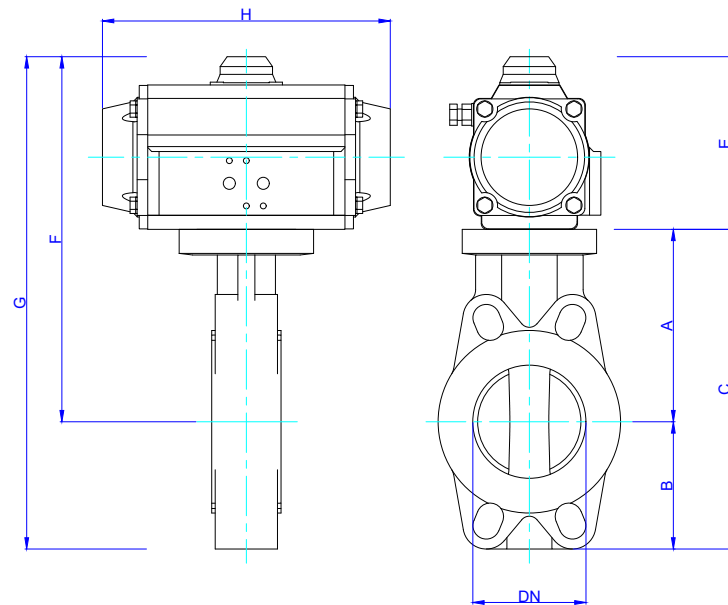
DN [mm]	Size [mm]	Circuit Function		A	B	C	E		F		G		H	
		SR	DA				SR	DA	SR	DA	SR	DA		
50	2	60A	30I	143	65	208	122	105	265	248	330	313	203.5	153.5
65	2 1/2	60A	30I	155	71	226	122	105	277	260	348	331	203.5	153.5
80	3	100A	60I	162	77	239	135	122	297	284	374	361	241	203.5
100	4	150A	60I	181	107	288	147	122	328	303	435	410	259	203.5
125	5	220A	100I	197	122	319	175	135	372	332	494	454	304	241
150	6	450A	220I	210	150	360	207	175	417	385	567	535	394.5	304
200	8	600A	220I	240	165	405	226	175	466	415	631	580	422.5	304
250	10	900A	450I	286	201	487	270	207	556	493	757	694	474	394.5
300	12	1200A	450I	309	234	543	295	207	604	516	838	750	528	394.5

Actuated PVC butterfly valve - dimensions [mm]



Rilsan (2052)

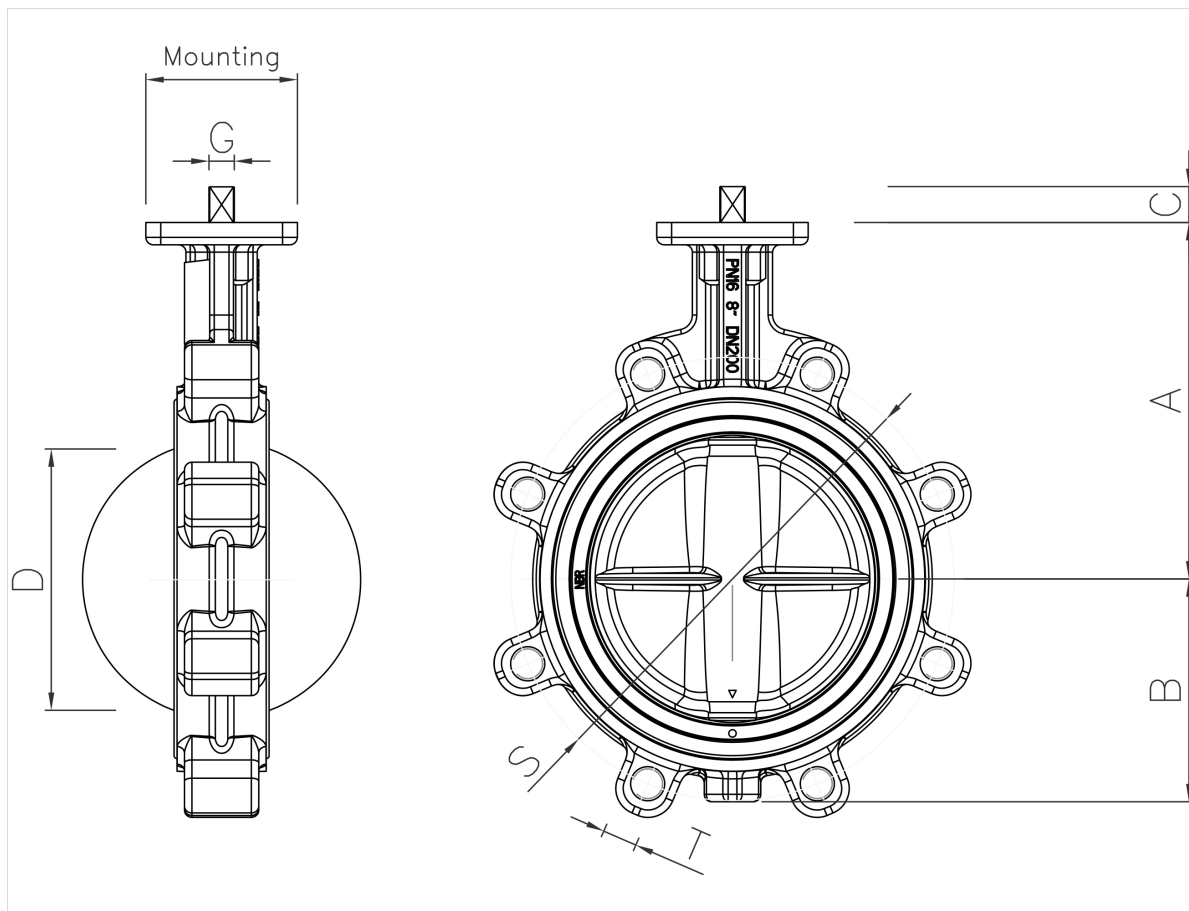
DN [mm]	Size [mm]	Circuit Function		A	B	C	E		F		G		H	
		SR	DA				SR	DA	SR	DA	SR	DA	SR	DA
65	2 1/2	PA05S	PA00	168	80	248	119	102.1	287	270.1	367	350.1	201.2	152.3
80	3	PA15S	PA05	182	90	272	138.6	119	320.6	301	410.6	391	264.2	201.2
100	4	PA20S	PA05	196	105	301	147.3	119	343.3	315	448.3	420	311	201.2
125	5	PA25S	PA10	215	121	336	174.6	123.1	389.6	338.1	510.6	459.1	356.2	225.1
150	6	PA25S	PA15	229	132	361	174.6	138.6	403.6	367.6	535.6	499.6	356.2	264.2
200	8	PA30S	PA25	309	161	470	191	174.6	500	483.6	661	644.6	427.5	356.2



Anodised (2051)

DN [mm]	Size [mm]	Circuit Function		A	B	C	E		F		G		H	
		SR	DA				SR	DA	SR	DA	SR	DA	SR	DA
65	2 1/2	SR60	DI15	168	80	248	122	89	290	257	370	337	203.5	136
80	3	SR100	DI30	182	90	272	135	105	317	287	407	377	241	153.5
100	4	SR150	DI60	196	105	301	147	122	343	318	448	423	259	203.5
125	5	SR220	DI100	215	121	336	175	135	390	350	511	471	304	241
150	6	SR300	DI150	229	132	361	187	147	416	376	548	508	333	259
200	8	SR450	DI220	309	161	470	207	175	516	484	677	645	394.5	304

Lugged ductile iron / stainless steel valve dimensions [mm]



DN [mm]	Size [mm]	Face to Face	Dimensions					Mounting Flange		Flange Detail			Weight KG
			A	B	C	D	G	Type	PCD	S	T	Bolts	
50	2	43	143	65	19	39	11	F07	70	114	M16	4	3.4
65	2 1/2	46	155	71	19	55	11	F07	70	127	M16	4	4
80	3	46	162	77	19	69	11	F07	70	146	M16	4	4.5
100	4	52	181	89	19	91	11	F07	70	178	M16	8	7.6
125	5	56	197	112	19	115	14	F07	70	210	M16	8	9.5
150	6	56	210	123	19	140	14	F07	70	235	M20	8	10.4
200	8	60	240	150	24	186	17	F10	102	292	M20	8	17.5
250	10	68	286	179	24	239	19	F10	102	356	M20	12	26.5
300	12	78	309	216	24	288	22	F10	102	406	M24	12	43.5
350	14	78	329	303	29	325	27	F12/F14	125/140	470	M24	12	58
400	16	102	361	335	29	375	27	F12/F14	125/140	521	M24	12	81
450	18	114	393	363	38	423	36	F14/F16	140/165	584	M24	16	110
500	20	127	427	397	38	473	36	F14/F16	140/165	641	M24	16	155
600	24	154	492	459	48	560	46	F16	165	756	M30	16	318



## Technical data: Rilsan coated pneumatic actuator

### Rilsan coated pneumatic actuator

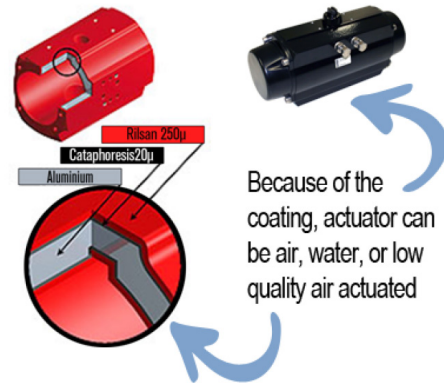
Bürkert's range of pneumatic actuators for quarter turn valves fulfil a wide variety of on/off process applications. Available in double acting and spring return configuration, these actuators deliver exceptionally long service life.

The actuator shown here is extremely protected against corrosion by double coating of epoxy (cataphoresis) and Rilsan (internal & external). All materials are resistant to oxidation (silicone free); the actuators are even rated to be water-actuated. This level of protection suits the valve system to field deployment in extreme conditions.

A wide selection of accessories is available including:

- Limit switches
- Positioners
- Manual override

Actuators require pilot solenoid valve; see accessories list.





## Ordering chart, manual valves (wafer)

### Cast Iron

Orifice	Body Type	Flange	Body Material	Disc Material	Seal	Max Pressure	Weight [kg]	Item No.
50	Wafer	Universal	Cast Iron	316 SS	EPDM	16	3	275940
65			Cast Iron	316 SS	EPDM	16	3.8	275941
80			Cast Iron	316 SS	EPDM	16	4	275942
100			Cast Iron	316 SS	EPDM	16	5.3	275943
125			Cast Iron	316 SS	EPDM	16	7.3	275944
150			Cast Iron	316 SS	EPDM	16	8.2	275946
200			Cast Iron	316 SS	EPDM	10	13.5	275947
250			Cast Iron	316 SS	EPDM	10	21.2	275948
300			Cast Iron	316 SS	EPDM	10	32.5	275950
50			Cast Iron	316 SS	NBR	16	3	92171000
65			Cast Iron	316 SS	NBR	16	3.8	92171001
80			Cast Iron	316 SS	NBR	16	4	92171002
100			Cast Iron	316 SS	NBR	16	5.3	92171003
125			Cast Iron	316 SS	NBR	16	7.3	92171004
150			Cast Iron	316 SS	NBR	16	8.2	92171005
200			Cast Iron	316 SS	NBR	10	13.5	92171006
250			Cast Iron	316 SS	NBR	10	21.2	92171007
300			Cast Iron	316 SS	NBR	10	32.5	92171008
50			Cast Iron	316 SS	FKM	10	3	92171009
65			Cast Iron	316 SS	FKM	10	3.8	92171010
80			Cast Iron	316 SS	FKM	10	4	92171011
100			Cast Iron	316 SS	FKM	10	5.3	92171012
125			Cast Iron	316 SS	FKM	10	7.3	92171013
150			Cast Iron	316 SS	FKM	10	8.2	92171014
200			Cast Iron	316 SS	FKM	10	13.5	92171015
250			Cast Iron	316 SS	FKM	10	21.2	92171016
300			Cast Iron	316 SS	FKM	10	32.5	92171017

### Stainless Steel

Orifice	Body Type	Flange	Body Material	Disc Material	Seal	Max Pressure	Weight [kg]	Item No.
50	Wafer	Universal	316 SS	316 SS	FKM	10	3.3	275969
65			316 SS	316 SS	FKM	10	4.1	275970
80			316 SS	316 SS	FKM	10	4.3	275971
100			316 SS	316 SS	FKM	10	5.7	275972
125			316 SS	316 SS	FKM	10	7.9	275973
150			316 SS	316 SS	FKM	10	8.9	275974
200			316 SS	316 SS	FKM	10	14.6	275975
250			316 SS	316 SS	FKM	10	22.8	275976
300			316 SS	316 SS	FKM	10	35.2	275977
50			316 SS	316 SS	EPDM	16	3.3	92171018
65			316 SS	316 SS	EPDM	16	4.1	92171019
80			316 SS	316 SS	EPDM	16	4.3	92171020
100			316 SS	316 SS	EPDM	16	5.7	92171021
125			316 SS	316 SS	EPDM	16	7.9	92184938
150			316 SS	316 SS	EPDM	16	8.9	92171022
200			316 SS	316 SS	EPDM	16	14.6	92171023
250			316 SS	316 SS	EPDM	16	22.8	92171024
300			316 SS	316 SS	EPDM	16	35.2	92171025

### PVC

Orifice	Body Type	Flange	Body Material	Disc Material	Seal	Max Pressure	Weight [kg]	Item No.
65	Wafer	Universal	UPVC	UPVC	EPDM	10	1.42	92155092
80			UPVC	UPVC	EPDM	10	1.64	92155093
100			UPVC	UPVC	EPDM	10	1.99	92155094
125			UPVC	UPVC	EPDM	10	3.03	92155096
150			UPVC	UPVC	EPDM	10	3.73	92155097
200			UPVC	UPVC	EPDM	10	8.24	92155098




## Ordering chart, manual valves (lugged)


## Ductile Iron


Orifice	Body Type	Flange	Body Material	Disc Material	Seal	Max Pressure	Weight [kg]	Item No.
50	Lugged	Table E	Ductile Iron	316 SS	EPDM	16	3.4	275960
65			Ductile Iron	316 SS	EPDM	16	4	275961
80			Ductile Iron	316 SS	EPDM	16	4.5	275962
100			Ductile Iron	316 SS	EPDM	16	7.6	275963
125			Ductile Iron	316 SS	EPDM	16	9.5	275964
150			Ductile Iron	316 SS	EPDM	16	10.4	275965
200			Ductile Iron	316 SS	EPDM	16	17.5	275966
250			Ductile Iron	316 SS	EPDM	16	26.5	275967
300			Ductile Iron	316 SS	EPDM	16	43.5	275968
50			Ductile Iron	316 SS	NBR	16	3.4	92171026
65			Ductile Iron	316 SS	NBR	16	4	92171027
80			Ductile Iron	316 SS	NBR	16	4.5	92171028
100			Ductile Iron	316 SS	NBR	16	7.6	92171029
125			Ductile Iron	316 SS	NBR	16	9.5	92171030
150			Ductile Iron	316 SS	NBR	16	10.4	92171031
200			Ductile Iron	316 SS	NBR	16	17.5	92171032
250			Ductile Iron	316 SS	NBR	16	26.5	92171033
300			Ductile Iron	316 SS	NBR	16	43.5	92171034
50			Ductile Iron	316 SS	FKM	10	3.4	92171035
65			Ductile Iron	316 SS	FKM	10	4	92171036
80			Ductile Iron	316 SS	FKM	10	4.5	92171037
100			Ductile Iron	316 SS	FKM	10	7.6	92171038
125			Ductile Iron	316 SS	FKM	10	9.5	92171039
150			Ductile Iron	316 SS	FKM	10	10.4	92171040
200			Ductile Iron	316 SS	FKM	10	17.5	92171041
250			Ductile Iron	316 SS	FKM	10	26.5	92171042
300			Ductile Iron	316 SS	FKM	10	43.5	92171043

## Stainless Steel

Orifice	Body Type	Flange	Body Material	Disc Material	Seal	Max Pressure	Weight [kg]	Item No.
50	Lugged	Table E	316 SS	316 SS	FKM	10	3.7	275978
65			316 SS	316 SS	FKM	10	4.3	275979
80			316 SS	316 SS	FKM	10	4.9	275980
100			316 SS	316 SS	FKM	10	8.2	275981
125			316 SS	316 SS	FKM	10	10.3	275982
150			316 SS	316 SS	FKM	10	11.3	275983
200			316 SS	316 SS	FKM	10	18.9	275984
250			316 SS	316 SS	FKM	10	28.7	275985
300			316 SS	316 SS	FKM	10	47.1	275986
50			316 SS	316 SS	EPDM	16	3.7	92171044
65			316 SS	316 SS	EPDM	16	4.3	92171045
80			316 SS	316 SS	EPDM	16	4.9	92171046
100			316 SS	316 SS	EPDM	16	8.2	92171047
125			316 SS	316 SS	EPDM	16	10.3	-
150			316 SS	316 SS	EPDM	16	11.3	92171048
200			316 SS	316 SS	EPDM	16	18.9	92171049
250			316 SS	316 SS	EPDM	16	28.7	92171050
300			316 SS	316 SS	EPDM	16	47.1	92171051

 Further versions on request

 Process connection

 Material Body & seals, actuators



## Ordering chart Actuated valves with Rilsan actuator

### Cast Iron (wafer)

Valve Function	Actuator	Body Type	Orifice [mm]	Body Material	Disc Material	Switch Box	Item No. EPDM	Item No. NBR	Item No. FKM
Double Acting	2052(Rilsan)	Wafer	50	Cast Iron	316 SS	Size 1	92171097	92171115	92171133
Double Acting	2052(Rilsan)	Wafer	65	Cast Iron	316 SS	Size 1	92171098	92171116	92171134
Double Acting	2052(Rilsan)	Wafer	80	Cast Iron	316 SS	Size 1	92171099	92171117	92171135
Double Acting	2052(Rilsan)	Wafer	100	Cast Iron	316 SS	Size 1	92171100	92171118	92171136
Double Acting	2052(Rilsan)	Wafer	125	Cast Iron	316 SS	Size 1	92171101	92171119	92171137
Double Acting	2052(Rilsan)	Wafer	150	Cast Iron	316 SS	Size 1	92171102	92171120	92171138
Double Acting	2052(Rilsan)	Wafer	200	Cast Iron	316 SS	Size 1	92171103	92171121	92171139
Double Acting	2052(Rilsan)	Wafer	250	Cast Iron	316 SS	Size 1	92171104	92171122	92171140
Double Acting	2052(Rilsan)	Wafer	300	Cast Iron	316 SS	Size 3	92171105	92171123	92171141
Sping Return	2052(Rilsan)	Wafer	50	Cast Iron	316 SS	Size 1	92171088	92171106	92171124
Sping Return	2052(Rilsan)	Wafer	65	Cast Iron	316 SS	Size 1	92171089	92171107	92171125
Sping Return	2052(Rilsan)	Wafer	80	Cast Iron	316 SS	Size 1	92171090	92171108	92171126
Sping Return	2052(Rilsan)	Wafer	100	Cast Iron	316 SS	Size 1	92171091	92171109	92171127
Sping Return	2052(Rilsan)	Wafer	125	Cast Iron	316 SS	Size 1	92171092	92171110	92171128
Sping Return	2052(Rilsan)	Wafer	150	Cast Iron	316 SS	Size 1	92171093	92171111	92171129
Sping Return	2052(Rilsan)	Wafer	200	Cast Iron	316 SS	Size 3	92171094	92171112	92171130
Sping Return	2052(Rilsan)	Wafer	250	Cast Iron	316 SS	Size 3	92171095	92171113	92171131
Sping Return	2052(Rilsan)	Wafer	300	Cast Iron	316 SS	Size 3	92171096	92171114	92171132

### Ductile Iron (lugged)

Valve Function	Actuator	Body Type	Orifice [mm]	Body Material	Disc Material	Switch Box	Item No. EPDM	Item No. NBR	Item No. FKM
Double Acting	2052(Rilsan)	Lugged	50	Ductile Iron	316 SS	Size 1	92171268	92171286	92171304
Double Acting	2052(Rilsan)	Lugged	65	Ductile Iron	316 SS	Size 1	92171269	92171287	92171305
Double Acting	2052(Rilsan)	Lugged	80	Ductile Iron	316 SS	Size 1	92171270	92171288	92171306
Double Acting	2052(Rilsan)	Lugged	100	Ductile Iron	316 SS	Size 1	92171271	92171289	92171307
Double Acting	2052(Rilsan)	Lugged	125	Ductile Iron	316 SS	Size 1	92171272	92171290	92171308
Double Acting	2052(Rilsan)	Lugged	150	Ductile Iron	316 SS	Size 1	92171273	92171291	92171309
Double Acting	2052(Rilsan)	Lugged	200	Ductile Iron	316 SS	Size 1	92171274	92171292	92171310
Double Acting	2052(Rilsan)	Lugged	250	Ductile Iron	316 SS	Size 1	92171275	92171293	92171311
Double Acting	2052(Rilsan)	Lugged	300	Ductile Iron	316 SS	Size 3	92171276	92171294	92171312
Sping Return	2052(Rilsan)	Lugged	50	Ductile Iron	316 SS	Size 1	92171259	92171277	92171295
Sping Return	2052(Rilsan)	Lugged	65	Ductile Iron	316 SS	Size 1	92171260	92171278	92171296
Sping Return	2052(Rilsan)	Lugged	80	Ductile Iron	316 SS	Size 1	92171261	92171279	92171297
Sping Return	2052(Rilsan)	Lugged	100	Ductile Iron	316 SS	Size 1	92171262	92171280	92171298
Sping Return	2052(Rilsan)	Lugged	125	Ductile Iron	316 SS	Size 1	92171263	92171281	92171299
Sping Return	2052(Rilsan)	Lugged	150	Ductile Iron	316 SS	Size 1	92171264	92171282	92171300
Sping Return	2052(Rilsan)	Lugged	200	Ductile Iron	316 SS	Size 3	92171265	92171283	92171301
Sping Return	2052(Rilsan)	Lugged	250	Ductile Iron	316 SS	Size 3	92171266	92171284	92171302
Sping Return	2052(Rilsan)	Lugged	300	Ductile Iron	316 SS	Size 3	92171267	92171285	92171303

## Ordering chart Actuated valves with Rilsan actuator

## Stainless Steel (wafer)

Valve Function	Actuator	Body Type	Orifice [mm]	Body Material	Disc Material	Switch Box	Item No. EPDM	Item No. FKM
Double Acting	2052(Rilsan)	Wafer	50	316 SS	316 SS	Size 1	92171160	92171142
Double Acting	2052(Rilsan)	Wafer	65	316 SS	316 SS	Size 1	92171161	92171143
Double Acting	2052(Rilsan)	Wafer	80	316 SS	316 SS	Size 1	92171162	92171144
Double Acting	2052(Rilsan)	Wafer	100	316 SS	316 SS	Size 1	92171163	92171145
Double Acting	2052(Rilsan)	Wafer	125	316 SS	316 SS	Size 1	92171164	92171146
Double Acting	2052(Rilsan)	Wafer	150	316 SS	316 SS	Size 1	92171165	92171147
Double Acting	2052(Rilsan)	Wafer	200	316 SS	316 SS	Size 1	92171166	92171148
Double Acting	2052(Rilsan)	Wafer	250	316 SS	316 SS	Size 1	92171167	92171149
Double Acting	2052(Rilsan)	Wafer	300	316 SS	316 SS	Size 3	92171168	92171150
Sping Return	2052(Rilsan)	Wafer	50	316 SS	316 SS	Size 1	92171151	92171061
Sping Return	2052(Rilsan)	Wafer	65	316 SS	316 SS	Size 1	92171152	92171062
Sping Return	2052(Rilsan)	Wafer	80	316 SS	316 SS	Size 1	92171153	92171063
Sping Return	2052(Rilsan)	Wafer	100	316 SS	316 SS	Size 1	92171154	92171064
Sping Return	2052(Rilsan)	Wafer	125	316 SS	316 SS	Size 1	92171155	92171065
Sping Return	2052(Rilsan)	Wafer	150	316 SS	316 SS	Size 1	92171156	92171066
Sping Return	2052(Rilsan)	Wafer	200	316 SS	316 SS	Size 3	92171157	92171067
Sping Return	2052(Rilsan)	Wafer	250	316 SS	316 SS	Size 3	92171158	92171068
Sping Return	2052(Rilsan)	Wafer	300	316 SS	316 SS	Size 3	92171159	92171069

## Stainless Steel (lugged)

Valve Function	Actuator	Body Type	Orifice [mm]	Body Material	Disc Material	Switch Box	Item No. EPDM	Item No. FKM
Double Acting	2052(Rilsan)	Lugged	50	316 SS	316 SS	Size 1	92171339	92171322
Double Acting	2052(Rilsan)	Lugged	65	316 SS	316 SS	Size 1	92171340	92171323
Double Acting	2052(Rilsan)	Lugged	80	316 SS	316 SS	Size 1	92171341	92171324
Double Acting	2052(Rilsan)	Lugged	100	316 SS	316 SS	Size 1	92171342	92171325
Double Acting	2052(Rilsan)	Lugged	125	316 SS	316 SS	Size 1	-	92171326
Double Acting	2052(Rilsan)	Lugged	150	316 SS	316 SS	Size 1	92171343	92171327
Double Acting	2052(Rilsan)	Lugged	200	316 SS	316 SS	Size 1	92171344	92171328
Double Acting	2052(Rilsan)	Lugged	250	316 SS	316 SS	Size 1	92171345	92171329
Double Acting	2052(Rilsan)	Lugged	300	316 SS	316 SS	Size 3	92171346	92171330
Sping Return	2052(Rilsan)	Lugged	50	316 SS	316 SS	Size 1	92171331	92171313
Sping Return	2052(Rilsan)	Lugged	65	316 SS	316 SS	Size 1	92171332	92171314
Sping Return	2052(Rilsan)	Lugged	80	316 SS	316 SS	Size 1	92171333	92171315
Sping Return	2052(Rilsan)	Lugged	100	316 SS	316 SS	Size 1	92171334	92171316
Sping Return	2052(Rilsan)	Lugged	125	316 SS	316 SS	Size 1	-	92171317
Sping Return	2052(Rilsan)	Lugged	150	316 SS	316 SS	Size 1	92171335	92171318
Sping Return	2052(Rilsan)	Lugged	200	316 SS	316 SS	Size 3	92171336	92171319
Sping Return	2052(Rilsan)	Lugged	250	316 SS	316 SS	Size 3	92171337	92171320
Sping Return	2052(Rilsan)	Lugged	300	316 SS	316 SS	Size 3	92171338	92171321



## Ordering chart Actuated valves with Anodised Aluminium Actuator

### Cast Iron (wafer)

Valve Function	Actuator	Body Type	Orifice [mm]	Body Material	Disc Material	Switch Box	Item No. EPDM	Item No. NBR	Item No. FKM
Double Acting	2051	Wafer	50	Cast Iron	316 SS	Size 1	92171178	92171196	92171214
Double Acting	2051	Wafer	65	Cast Iron	316 SS	Size 1	92171179	92171197	92171215
Double Acting	2051	Wafer	80	Cast Iron	316 SS	Size 1	92171180	92171198	92171216
Double Acting	2051	Wafer	100	Cast Iron	316 SS	Size 1	92171181	92171199	92171217
Double Acting	2051	Wafer	125	Cast Iron	316 SS	Size 1	92171182	92171200	92171218
Double Acting	2051	Wafer	150	Cast Iron	316 SS	Size 2	92171183	92171201	92171219
Double Acting	2051	Wafer	200	Cast Iron	316 SS	Size 2	92171184	92171202	92171220
Double Acting	2051	Wafer	250	Cast Iron	316 SS	Size 2	92171185	92171203	92171221
Double Acting	2051	Wafer	300	Cast Iron	316 SS	Size 2	92171186	92171204	92171222
Sping Return	2051	Wafer	50	Cast Iron	316 SS	Size 1	92171169	92171187	92171205
Sping Return	2051	Wafer	65	Cast Iron	316 SS	Size 1	92171170	92171188	92171206
Sping Return	2051	Wafer	80	Cast Iron	316 SS	Size 1	92171171	92171189	92171207
Sping Return	2051	Wafer	100	Cast Iron	316 SS	Size 1	92171172	92171190	92171208
Sping Return	2051	Wafer	125	Cast Iron	316 SS	Size 2	92171173	92171191	92171209
Sping Return	2051	Wafer	150	Cast Iron	316 SS	Size 2	92171174	92171192	92171210
Sping Return	2051	Wafer	200	Cast Iron	316 SS	Size 2	92171175	92171193	92171211
Sping Return	2051	Wafer	250	Cast Iron	316 SS	Size 3	92171176	92171194	92171212
Sping Return	2051	Wafer	300	Cast Iron	316 SS	Size 3	92171177	92171195	92171213



### Ductile Iron (lugged)

Valve Function	Actuator	Body Type	Orifice [mm]	Body Material	Disc Material	Switch Box	Item No. EPDM	Item No. NBR	Item No. FKM
Double Acting	2051	Lugged	50	Ductile Iron	316 SS	Size 1	92171356	92171374	92171392
Double Acting	2051	Lugged	65	Ductile Iron	316 SS	Size 1	92171357	92171375	92171393
Double Acting	2051	Lugged	80	Ductile Iron	316 SS	Size 1	92171358	92171376	92171394
Double Acting	2051	Lugged	100	Ductile Iron	316 SS	Size 1	92171359	92171377	92171395
Double Acting	2051	Lugged	125	Ductile Iron	316 SS	Size 1	92171360	92171378	92171396
Double Acting	2051	Lugged	150	Ductile Iron	316 SS	Size 2	92171361	92171379	92171397
Double Acting	2051	Lugged	200	Ductile Iron	316 SS	Size 2	92171362	92171380	92171398
Double Acting	2051	Lugged	250	Ductile Iron	316 SS	Size 2	92171363	92171381	92171399
Double Acting	2051	Lugged	300	Ductile Iron	316 SS	Size 2	92171364	92171382	92171400
Sping Return	2051	Lugged	50	Ductile Iron	316 SS	Size 1	92171347	92171365	92171383
Sping Return	2051	Lugged	65	Ductile Iron	316 SS	Size 1	92171348	92171366	92171384
Sping Return	2051	Lugged	80	Ductile Iron	316 SS	Size 1	92171349	92171367	92171385
Sping Return	2051	Lugged	100	Ductile Iron	316 SS	Size 1	92171350	92171368	92171386
Sping Return	2051	Lugged	125	Ductile Iron	316 SS	Size 2	92171351	92171369	92171387
Sping Return	2051	Lugged	150	Ductile Iron	316 SS	Size 2	92171352	92171370	92171388
Sping Return	2051	Lugged	200	Ductile Iron	316 SS	Size 2	92171353	92171371	92171389
Sping Return	2051	Lugged	250	Ductile Iron	316 SS	Size 3	92171354	92171372	92171390
Sping Return	2051	Lugged	300	Ductile Iron	316 SS	Size 3	92171355	92171373	92171391



## Ordering chart Actuated valves with Anodised Aluminium Actuator

### Stainless Steel (wafer)

Valve Function	Actuator	Body Type	Orifice [mm]	Body Material	Disc Material	Switch Box	Item No. EPDM	Item No. FKM
Double Acting	2051	Wafer	50	316 SS	316 SS	Size 1	92171250	92171232
Double Acting	2051	Wafer	65	316 SS	316 SS	Size 1	92171251	92171233
Double Acting	2051	Wafer	80	316 SS	316 SS	Size 1	92171252	92171234
Double Acting	2051	Wafer	100	316 SS	316 SS	Size 1	92171253	92171235
Double Acting	2051	Wafer	125	316 SS	316 SS	Size 1	92171254	92171236
Double Acting	2051	Wafer	150	316 SS	316 SS	Size 2	92171255	92171237
Double Acting	2051	Wafer	200	316 SS	316 SS	Size 2	92171256	92171238
Double Acting	2051	Wafer	250	316 SS	316 SS	Size 2	92171257	92171239
Double Acting	2051	Wafer	300	316 SS	316 SS	Size 2	92171258	92171240
Sping Return	2051	Wafer	50	316 SS	316 SS	Size 1	92171241	92171223
Sping Return	2051	Wafer	65	316 SS	316 SS	Size 1	92171242	92171224
Sping Return	2051	Wafer	80	316 SS	316 SS	Size 1	92171243	92171225
Sping Return	2051	Wafer	100	316 SS	316 SS	Size 1	92171244	92171226
Sping Return	2051	Wafer	125	316 SS	316 SS	Size 2	92171245	92171227
Sping Return	2051	Wafer	150	316 SS	316 SS	Size 2	92171246	92171228
Sping Return	2051	Wafer	200	316 SS	316 SS	Size 2	92171247	92171229
Sping Return	2051	Wafer	250	316 SS	316 SS	Size 3	92171248	92171230
Sping Return	2051	Wafer	300	316 SS	316 SS	Size 3	92171249	92171231

### Stainless Steel (lugged)

Valve Function	Actuator	Body Type	Orifice [mm]	Body Material	Disc Material	Switch Box	Item No. EPDM	Item No. FKM
Double Acting	2051	Lugged	50	316 SS	316 SS	Size 1	92171427	92171392
Double Acting	2051	Lugged	65	316 SS	316 SS	Size 1	92171428	92171393
Double Acting	2051	Lugged	80	316 SS	316 SS	Size 1	92171429	92171394
Double Acting	2051	Lugged	100	316 SS	316 SS	Size 1	92171430	92171395
Double Acting	2051	Lugged	125	316 SS	316 SS	Size 1		92171396
Double Acting	2051	Lugged	150	316 SS	316 SS	Size 2	92171431	92171397
Double Acting	2051	Lugged	200	316 SS	316 SS	Size 2	92171432	92171398
Double Acting	2051	Lugged	250	316 SS	316 SS	Size 2	92171433	92171399
Double Acting	2051	Lugged	300	316 SS	316 SS	Size 2	92171434	92171400
Sping Return	2051	Lugged	50	316 SS	316 SS	Size 1	92171419	92171401
Sping Return	2051	Lugged	65	316 SS	316 SS	Size 1	92171420	92171402
Sping Return	2051	Lugged	80	316 SS	316 SS	Size 1	92171421	92171403
Sping Return	2051	Lugged	100	316 SS	316 SS	Size 1	92171422	92171404
Sping Return	2051	Lugged	125	316 SS	316 SS	Size 2		92171405
Sping Return	2051	Lugged	150	316 SS	316 SS	Size 2	92171423	92171406
Sping Return	2051	Lugged	200	316 SS	316 SS	Size 2	92171424	92171407
Sping Return	2051	Lugged	250	316 SS	316 SS	Size 3	92171425	92171408
Sping Return	2051	Lugged	300	316 SS	316 SS	Size 3	92171426	92171409



## Ordering chart Actuated valves with Rilsan actuator

### PVC

Valve Function	Actuator	Body Type	Orifice [mm]	Body Material	Disc Material	Switch Box	Item No. EPDM
Double Acting	2052(Rilsan)	Wafer	65	UPVC	UPVC	Size 1	92155105
Double Acting	2052(Rilsan)	Wafer	80	UPVC	UPVC	Size 1	92155109
Double Acting	2052(Rilsan)	Wafer	100	UPVC	UPVC	Size 1	92155113
Double Acting	2052(Rilsan)	Wafer	125	UPVC	UPVC	Size 1	92155117
Double Acting	2052(Rilsan)	Wafer	150	UPVC	UPVC	Size 1	92155121
Double Acting	2052(Rilsan)	Wafer	200	UPVC	UPVC	Size 1	92155125
Sping Return	2052(Rilsan)	Wafer	65	UPVC	UPVC	Size 1	92155107
Sping Return	2052(Rilsan)	Wafer	80	UPVC	UPVC	Size 1	92155111
Sping Return	2052(Rilsan)	Wafer	100	UPVC	UPVC	Size 1	92155115
Sping Return	2052(Rilsan)	Wafer	125	UPVC	UPVC	Size 1	92155119
Sping Return	2052(Rilsan)	Wafer	150	UPVC	UPVC	Size 1	92155123
Sping Return	2052(Rilsan)	Wafer	200	UPVC	UPVC	Size 1	92155127

## Ordering chart Actuated valves with PA actuator

### PVC


Valve Function	Actuator	Body Type	Orifice [mm]	Body Material	Disc Material	Switch Box	Item No. EPDM
Double Acting	2052(PA)	Wafer	65	UPVC	UPVC	Size 1	92155106
Double Acting	2052(PA)	Wafer	80	UPVC	UPVC	Size 1	92155110
Double Acting	2052(PA)	Wafer	100	UPVC	UPVC	Size 1	92155114
Double Acting	2052(PA)	Wafer	125	UPVC	UPVC	Size 1	92155118
Double Acting	2052(PA)	Wafer	150	UPVC	UPVC	Size 1	92155122
Double Acting	2052(PA)	Wafer	200	UPVC	UPVC	Size 1	92155126
Sping Return	2052(PA)	Wafer	65	UPVC	UPVC	Size 1	92155108
Sping Return	2052(PA)	Wafer	80	UPVC	UPVC	Size 1	92155112
Sping Return	2052(PA)	Wafer	100	UPVC	UPVC	Size 1	92155116
Sping Return	2052(PA)	Wafer	125	UPVC	UPVC	Size 1	92155120
Sping Return	2052(PA)	Wafer	150	UPVC	UPVC	Size 1	92155124
Sping Return	2052(PA)	Wafer	200	UPVC	UPVC	Size 1	


## Ordering chart Actuated valves with Anodised actuator

### PVC

Valve Function	Actuator	Body Type	Orifice [mm]	Body Material	Disc Material	Switch Box	Item No. EPDM
Double Acting	2051	Wafer	65	UPVC	UPVC	Size 1	92174000
Double Acting	2051	Wafer	80	UPVC	UPVC	Size 1	272447
Double Acting	2051	Wafer	100	UPVC	UPVC	Size 1	92174001
Double Acting	2051	Wafer	125	UPVC	UPVC	Size 1	-
Double Acting	2051	Wafer	150	UPVC	UPVC	Size 1	92174002
Double Acting	2051	Wafer	200	UPVC	UPVC	Size 1	92174003
Sping Return	2051	Wafer	65	UPVC	UPVC	Size 1	284677
Sping Return	2051	Wafer	80	UPVC	UPVC	Size 1	279559
Sping Return	2051	Wafer	100	UPVC	UPVC	Size 1	284678
Sping Return	2051	Wafer	125	UPVC	UPVC	Size 1	-
Sping Return	2051	Wafer	150	UPVC	UPVC	Size 2	284679
Sping Return	2051	Wafer	200	UPVC	UPVC	Size 2	284680

### Further versions on request




 Process connection

 Material  
Body & seals, actuators





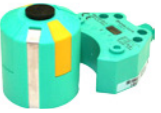

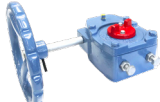
**Ordering chart for accessories for Type 8805 (to be ordered separately)**

**Type 8805 pneumatically actuated butterfly valves require pneumatic piloting. Standardised piloting kits for Type 8805 shown below. Variations available (e.g. all voltage variations available).**

Item description		ID No	
		24V DC	240V AC
 <p>For direct acting type</p>	Type 6519 pilot solenoid valve with namur type service port and G $\frac{1}{4}$ " air ports. Normally closed 3/2, 5/2 Way circuit function. PA body with stainless steel inserts.	131425	131428
	Type 2508 DIN Plug, with LED.	008360	008362
	Silencer, sintered bronze table type (male) for G $\frac{1}{4}$ ".	781889	
	Tubing, flexible nylon (Rilsan), per meter	92103280	
 <p>For spring return type</p>	Type 6014 pilot solenoid valve with G $\frac{1}{4}$ " service port and G $\frac{1}{4}$ " air ports. Normally closed 3/2 Way circuit function. PA/Brass/Aluminium body with FKM seal.	424103	424107
	Type 2508 DIN Plug, with LED.	008360	008362
	Stainless steel cap nut, for additional protection of the exhaust air channel from damp penetration, insects, etc.	649554	
	Tubing, flexible nylon (Rilsan), per meter	92103280	
	Airbox 3/2 way with Mechanical Feedback	773139	
	Airbox 5/2 way with Mechanical Feedback	773140	
	Airbox 3/2 way with Inductive Feedback	773141	
	Airbox 5/2 way with Inductive Feedback	773142	

\*Ex Options available on request.

**Selection of Type 8805 pneumatically actuated butterfly valve accessories; including feedbacks, digital positioner & process controller and stainless steel protective hood.**

Item description		ID No
	Top mounted switch box, Size 1. For visual position indication. Aluminium die cast, polycarb.	92150858
	Top mounted switch box, Size 2. For visual position indication. Aluminium die cast, polycarb.	92150606
	Top mounted switch box, Size 3. For visual position indication. Aluminium die cast, polycarb.	92150607
	*NB All units on ordering chart indicate which size switch box suits with 'Optional Accessory Size'	
	Type 8793 electropneumatic positioner with integral PID controller for quarter turn valves. Spring Return & Double Acting actuator type. Operating voltage 24V DC.	92133833
	Type 8792 electropneumatic positioner for quarter turn valves. For Spring Return & Double Acting actuator type. Operating voltage 24V DC.	92133832
	Dual proximity switch feedback for mount onto quarter turn valves. Size 1.	92146486
	Dual proximity switch feedback for mount onto quarter turn valves. Size 2.	92146487
	*NB Ordering chart indicates 'Optional Accessory Size' Size 3.	92146860
	Protective hood for quarter turn valves, stainless steel. Designed for protection from weather and sun to deliver long service life.	92133834
	Cast Iron painted Gear operator for Butterfly valves 50NB-150NB	92183512
	Cast Iron painted Gear operator for Butterfly valves 200NB-300NB	92183513

DTS 1000355503 EN Version: - Status: RL (released | freigegeben | valide) printed: 03.05.2018