

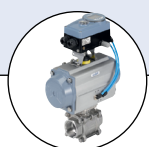
Digital electropneumatic Process Controller SideControl



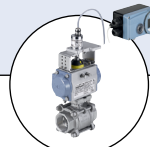
Type 8793 can be combined with...



Yoke type actuators



Rotary actuators



Rotary actuators with remote positioner



Process control valve with remote positioner



Hygienic process control valve with remote positioner

- Compact and robust design
- Easy Start-up using Tune function of the Positioner and Process controller
- Integrated diagnostic functions for valve monitoring
- Dynamic positioning system with no air consumption in controlled state
- PROFIBUS DP-V1, DeviceNet, EtherNet/IP, PROFINET, Modbus TCP or bÜS (Burkert System Bus)

The digital process controller Type 8793 is designed to standardization acc. to IEC 60534-6-1 or VDI/VDE 3845 (IEC 60534-6-2) for assembly with linear and rotary actuators. In addition, the remote version can be combined with Bürkert process control valves. The process controller can be operated by the usual current and voltage standard signals and can also be equipped with the fieldbus interface. The actual process value is directly supplied to the device as 4-20 mA, PT100 or as frequency signal. The process controller calculates the position setpoint for the subordinated positioner through variance comparison. The parameterization of process controller can be carried out automatically via Tune function. The handling is easily done either on a graphic display with keypad or via COMMUNICATOR. The process controller is equipped with diagnostic functions to monitor the state of the valve. With the diagnostics, the operating conditions of the control valve can be monitored. This allows planned maintenance and optimizes plant availability. The pilot valve system can be used equally for single and double acting actuators. It is characterized by a defined safety feature in case of failure of the electrical or pneumatic power and possesses an enormous air capacity range with pressure supply up to 7 bar.


Technical data	
Material: Body Seal	Aluminium plastic-coated EPDM, NBR, FKM
Operating voltages	24 V DC \pm 10 %
Residual ripple	max. 10 %
Setpoint setting	0/4 ... 20 mA and 0 ... 5/10 V
Input resistance	0/4 ... 20 mA: 180 Ω 0 ... 5/10 V: 19 k Ω
Input data for actual value signal Setting 4 ... 20 mA Frequency setting Setting Pt 100	180 Ω Input resistance / Resolution 12 bit 17 k Ω Input resistance, 0 ... 1000 Hz / 1 % o.R.. measuring range, Input signal > 300 mV _{ss} Signal form Sine, rectangle, triangle Measuring range -20...+220 °C, Resolution <0.1 °C, M
Analogue feedback	4 ... 20 mA, 0 ... 20 mA 0 ... 10 V, 0 ... 5 V
Binary input	galvanically isolated, 0 ... 5 V = log "0", 10 ... 30 V = log "1"
Binary Output Current limit	2 Outputs (optional), galvanically isolated 100 mA, Output will be synchronised when overloaded
Control medium Dust concentration Particle density Pressure condensation point Oil concentration	neutral gases, air, quality classes acc. to ISO 8573-1 Class 7 (< 40 μ m particle size) Class 5 (< 10 mg/m ³) Class 3 (< -20 °C) Class X (< 25 mg/m ³)
Ambient temperature	- 10 to + 60 °C (without Ex-Approval) 0 to + 60 °C (with ATEX / IECEx-Approval)
Pilot air ports	Threaded port G ¼
Supply pressure	1.4 ... 7 bar ¹⁾²⁾
Air input filter	Exchangeable (aperture size -0.1 mm)
Pilot valve system Air capacity	Single and double-acting up to 150 l _N /min. 50 l _N /min (with 1.4 bar ²⁾) for aeration and ventilation 150 l _N /min (with 6 bar ²⁾) for aeration and ventilation (Q _N = 100 l _N /min (acc. to the definition with decrease in pressure from 7 ... 6 bar absolute)

¹⁾ The supply pressure has to be 0.5 ... 1 bar above the minimum required pilot pressure for the valve actuator

²⁾ Pressure specifications: Overpressure with respect to atmospheric pressure

continued on next page

Technical data, continued

Technical data	
Position detection module	Potentiometer, max. angle 180°
Stroke range valve spindle	Min. 30° on the rotary shaft, independent of lever
Installation	As required, display above or sideways
Type of protection	IP65/IP67 acc. to EN 60529, Type 4X acc. to NEMA 250 standard
Power consumption	< 5 W
Electrical connection	
Multi-pin connection	M12, 8 pin / 4 pin; M8, 4 pin
Cable gland	2x M20 × 1.5 (cable Ø 6 ... 12 mm) on screw terminals (0.14 ... 1.5 mm ²)
Remote Version	1x M12 × 1.5 (cable Ø 3 ... 6.5 mm)
Bus communication	PROFIBUS DP-V1, DeviceNet, EtherNet/IP, PROFINET, Modbus TCP or bûS (basiert auf CANopen)
Protection class	III acc. to DIN EN 61140
Conformity	EMC directive 2014/30/EU
CSA approval information	
Product category code	Class 3221 82-VALVES - Actuators - Certified to US standards Class 3221 02-VALVES - Actuators
Considered standards	CAN/CSA-C22 2 No. 139 UL 429
CSA trademark	
Ex-Approval	ATEX
IECEX	Ex II 3G Ex ec ic IIC T4 Gc / Ex II 3D Ex tc IIIC T135 °C Dc Certificate; BVS 16 ATEX E 118 X Ex ec ic IIC T4 Gc / Ex tc IIIC T135 °C Dc Certificate; IECEX BVS 16.0091 X

Technical data - Linear Remote Position Sensor (ELEMENT)	
Electrical connection	
Cable gland	1xM16 × 1.5 (cable Ø 5 ... 10 mm) on terminal screws (0.14 ... 1.5 mm ²)
Connection cable length	10 m
Operating voltage	24 V DC ± 10 %
Power consumption	< 0.3 W
Sensor measurement range	3 ... 45 mm (Stroke range valve spindle)
Actual position signal	digital (RS485)
Ambient temperature	- 25 to + 80 °C
Protection class	III acc. to DIN EN 61140
Type of protection	IP65 and IP67 acc. to EN 60529, 4X acc. to NEMA 250 standard
Type of Ignition protection	II 3D Ex tc IIIC T135 °C Dc II 3G Ex nA IIC T4 Gc
Conformity	EMC directive 2014/30/EU
Approvals	cULus Certificate no. 238 179

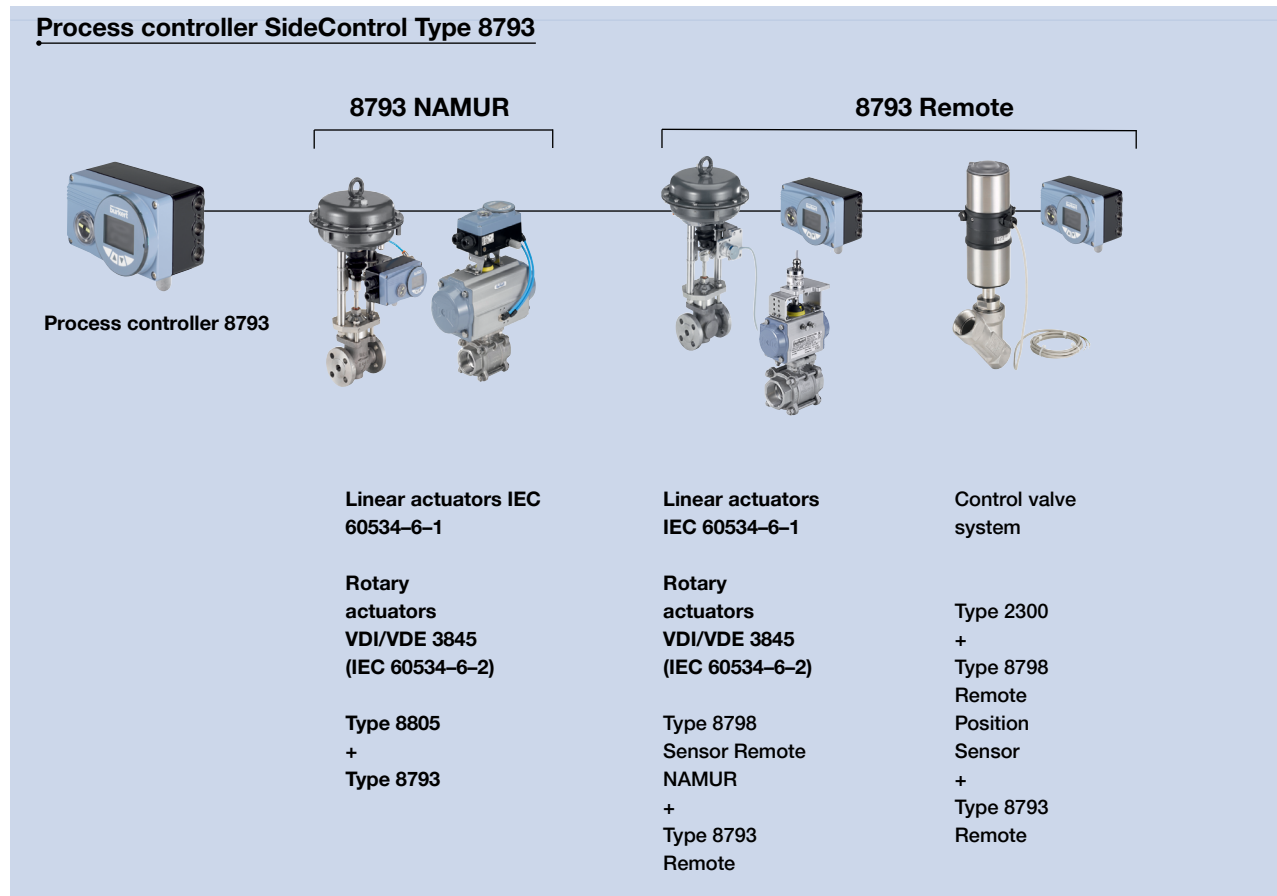
Technical data - rotative Remote Position Sensor (NAMUR)	
Electrical connection	2 m round cable (shielded)
Operating voltage	10 ... 30 V DC
Residual ripple	< 0.8 W
Sensor measurement range	0° to 360°
Actual position signal	digital (RS485)
Ambient temperature	- 25 to + 80 °C
Protection class	III acc. to DIN EN 61140
Type of protection	IP65 acc. to EN 60529
Conformity	EMC directive 2014/30/EU
Approvals	UL (cULus) Certificate no. E226909

Technical data - Position feedback with proximity switches (Accessory)	
Electrical connection	M12, 4 pin
Output function	3-wire, normally open contact, PNP
Operating voltage	10 ... 30 V DC
Residual ripple	≤ 10 % U _{ss}
DC rated current	≤ 100 mA
Type of protection	IP65 and IP67
Protection class	III acc. to DIN EN 61140
Conformity	EMC directive 2014/30/EU
Approvals	cCSAus

Note: The position feedback has two proximity switches which are independently adjustable via switch lugs.

Using a remote positioner the length of the control air pipes influences the dynamics and attainable accuracy of the position control loop. The length of the control air pipes therefore should be as short as possible.

Example for assembly variations of process controller SideControl

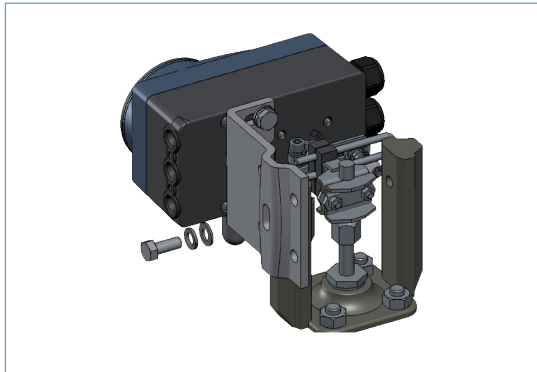


Assembly options

NAMUR Version

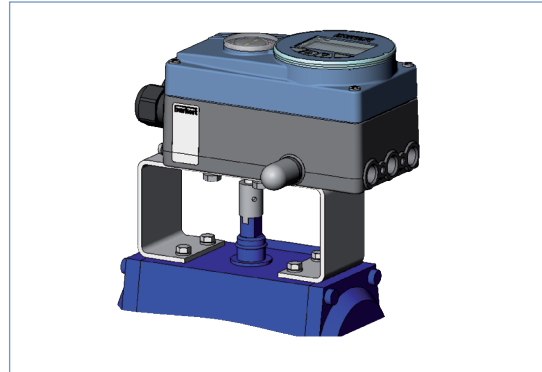
(Positioner with integrated position sensor, assembly acc. to NAMUR/IEC 60534-6-1 and VDI/VDE 3845 (IEC 60534-6-2))

Assembly on linear actuator



Description	Article no.
Adapter kit	787215

Assembly on rotary actuator



Description	Article no.
Adapter kit	787338
Assembly bridge	770294

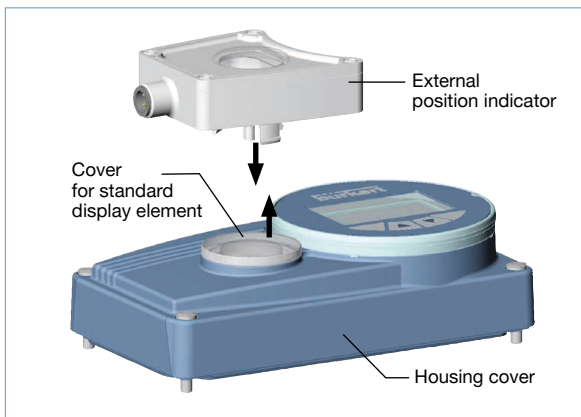
Dimensions [mm]

Adapter kit

Assembly bridge

Actuator shaft height	A	B	C
20	46.5	80	-
30	56.5	80	130
50	76.5	-	130

Position feedback with proximity switches
(upgrade feature for SideControl NAMUR)



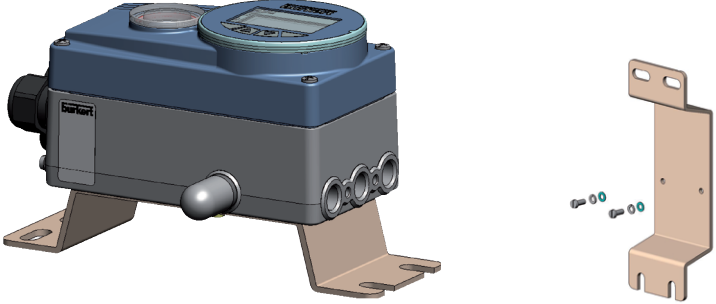
Description	Article no.
Position feedback	677218


Assembly options *continued*

Remote Version

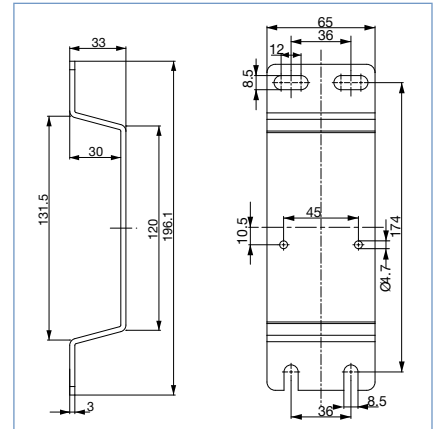
(Displaced positioner with external remote position sensor)

Assembly with accessory brackets

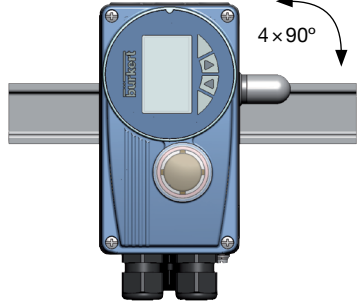


Description	Article no.
Assembly bracket for wall mounting	675715 


Dimensions [mm]



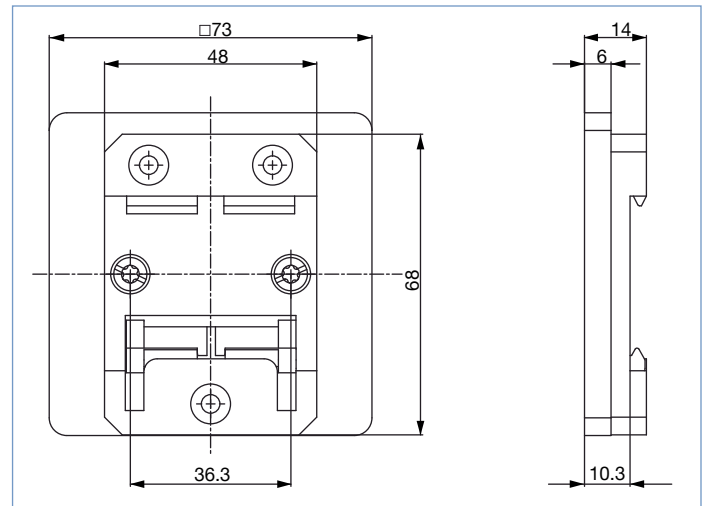
Assembly on DIN-Rail



The adapter can be turned every 90° on the DIN-Rail

Description	Article no.
DIN rail assembly kit	675702 

Dimensions [mm]



Assembly options *continued*

Remote Version

(Remote position sensor for displaced positioner)

Type 8798



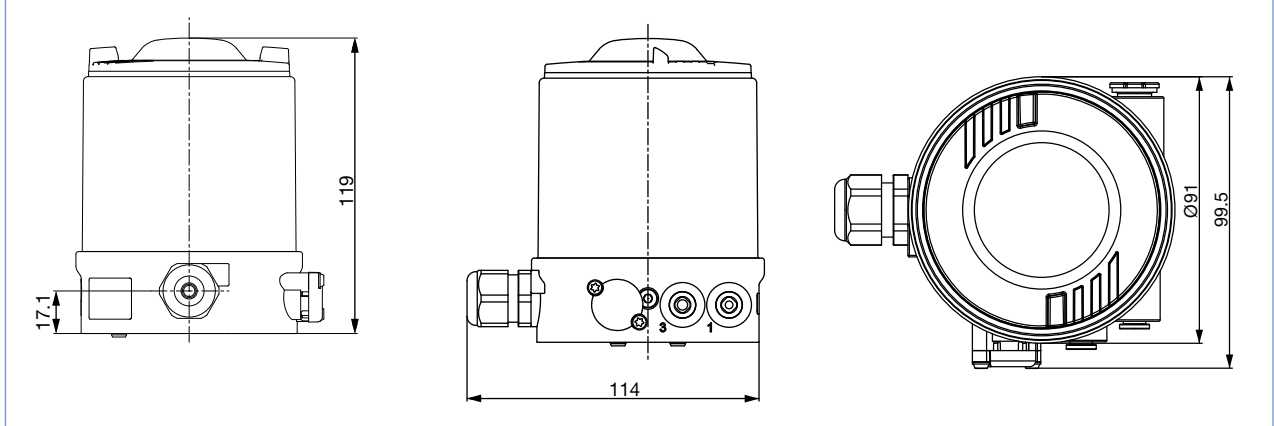
Description	Article no.	
	Standard	ATEX II 3 GD
Remote Position Sensor		
Mounting on control valves Type 23xx	212360	226860
Mounting on control valves Type 27xx	211535	226859



Description	Article no.
Remote Position Sensor NAMUR	211536

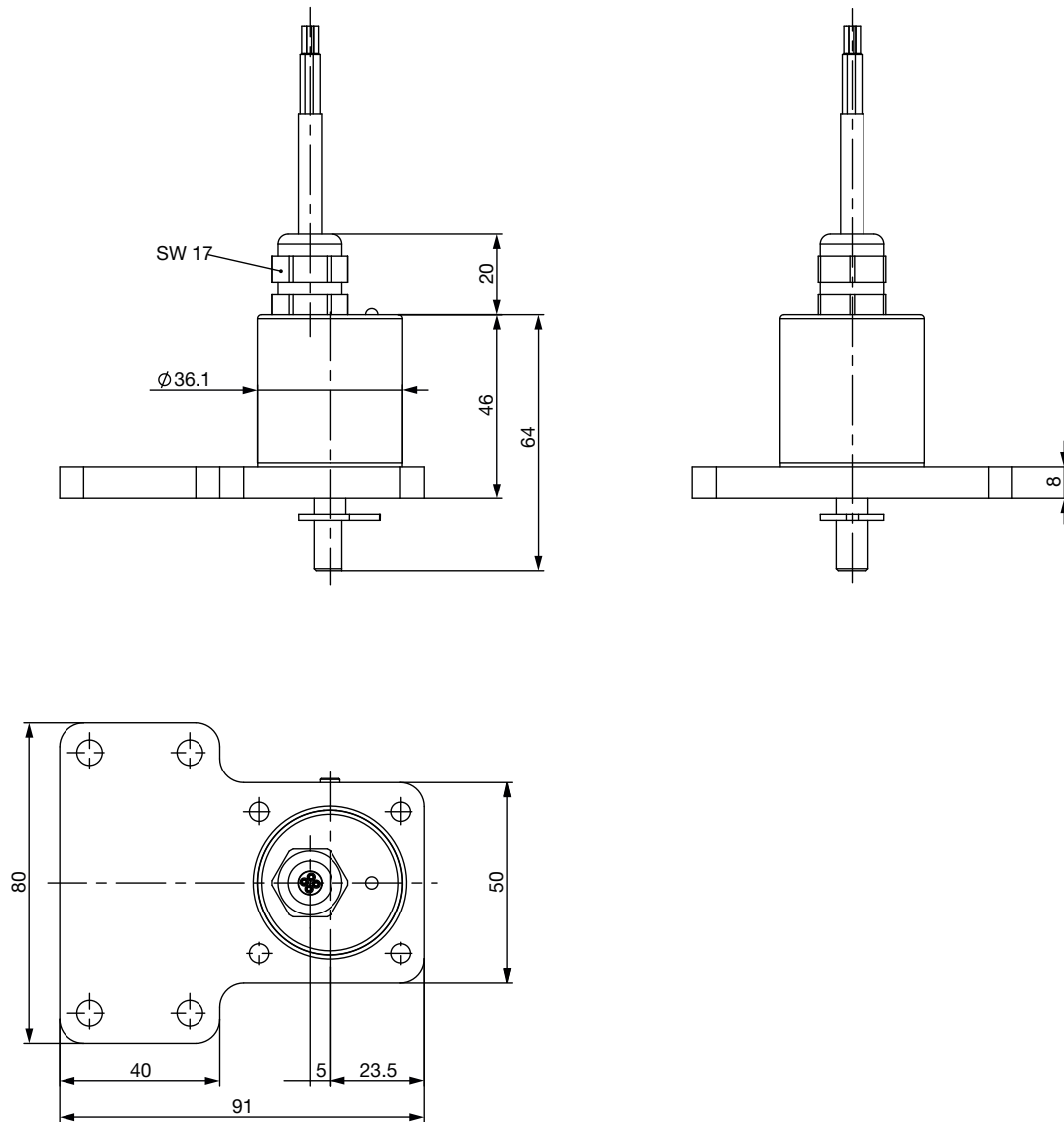
Dimensions

For mounting on Control valves ELEMENT Types 23xx



Dimensions

Mounting on control valves according to NAMUR (IEC 60534-6-1 / VDI/VDE 3845 (IEC 60534-6-2))



Ordering Chart (further version on request)

Process controller SideControl Type 8793 NAMUR version

NAMUR IEC 534-6 VDI/VDE 3845

Communication	Electrical connection	Analogue feedback	2 Binary outputs	Diagnostic functions ¹⁾	cCSAus	ATEX II 3 GD / IECEx	Article no.
Single and double-acting with universal air capacity							
without fieldbus communication	Cable gland	no	no		yes		206593
		no	yes	yes	yes		206595
		yes	yes	yes	yes		206594
		yes	yes	yes		yes	310312
		no	yes	yes		yes	310313
	Multipole	no	no		yes		206596
PROFIBUS DP-V1	Multipole	no	yes	yes	yes		206599
		yes	yes	yes	yes		206598
		via Bus	no	yes	yes	yes	206600
DeviceNet	Multipole	no	no		yes		206601
		no	yes	yes	yes		239097
EtherNet/IP	Multipole	no	no	yes	yes		239098
		via Bus	no	yes			317930
PROFINET	Multipole	via Bus	yes	yes			317931
		via Bus	no	yes			317940
Modbus TCP	Multipole	via Bus	yes	yes			317941
		via Bus	no	yes			317950
büS - Bürkert System Bus	Multipole	via Bus	yes	yes			317951
		via Bus	no	yes			317960
		via Bus	yes	yes			317961






Process controller SideControl Type 8793 remote version

Communication	Electrical connection	Analogue feedback	2 Binary outputs	Diagnostic functions ¹⁾	cCSAus	ATEX II 3 GD / IECEx	Article no.
Single-acting with low air capacity for actuator series Type 23xx (Ø 70/90 mm)							
without fieldbus communication	Cable gland	no	no		yes		226828
		no	yes	yes	yes		224873
		yes	yes	yes	yes	yes	224872
EtherNet/IP	Multipole	via Bus	yes	yes			317937
PROFINET		via Bus	yes	yes			317947
Modbus TCP		via Bus	yes	yes			317957
büS - Bürkert System Bus		via Bus	yes	yes			317967
Single and double-acting with universal air capacity for actuator series Type 23xx (Ø 130 mm) and 27xx (Ø 175/225 mm)							
without fieldbus communication	Cable gland	no	no		yes		206607
		yes	yes	yes	yes		206608
		no	yes	yes	yes	yes	206609
		yes	yes	yes	yes		yes
EtherNet/IP	Multipole	via Bus	yes	yes			317934
PROFINET		via Bus	yes	yes			317944
Modbus TCP		via Bus	yes	yes			317954
büS - Bürkert System Bus		via Bus	yes	yes			317964



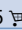

¹⁾ see additional software functions parametrisable diagnostic functions**Note:** cCSAus approval in preparation for device versions with EtherNet/IP, PROFINET, Modbus TCP und büS






Ordering chart continued





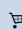

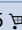

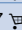
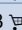
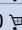
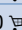
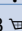
Remote Position Sensor for SideControl Type 8793 remote version

Assembly variations	Electrical connection	cULus	ATEX II 3 GD / IECEx	Article no.
Remote Position Sensor				
Control valve Type 23xx	Cable gland - 10 m round cable	yes	no	212360 
	Cable gland - 10 m round cable	no	yes	226860 
Control valve Type 27xx	Cable gland - 10 m round cable	yes	no	211535 
	Cable gland - 10 m round cable	no	yes	226859 
NAMUR (rotative)	Cable gland - 2 m round cable (max. extension 10 m)	yes	no	211536 

Ordering chart for accessories

Description	Article no.
Accessories for SideControl BASIC NAMUR	
Assembly bridge VDI/VDE 3845 (IEC 60534-6-2), stainless steel	770294 
Adapter kit VDI/VDE 3845 (IEC 60534-6-2) stainless steel	787338 
Adapter kit linear actuators IEC 60534-6-1 stainless steel	787215 
Position feedback with proximity switches (optional upgrade feature) ¹⁾	677218 

Accessories for SideControl BASIC Remote	
Bracket for wall mounting, stainless steel	675715 
DIN rail assembly kit Aluminium/stainless steel	675702 
Adapter kit - remote sensor, control valves Type 23xx Actuator size Ø 70/90/130 mm	679917 
Adapter kit - remote sensor, control valves Type 27xx Actuator size Ø 175 / 225 mm	679945 
Sensor Puck (replacement part)	682240 

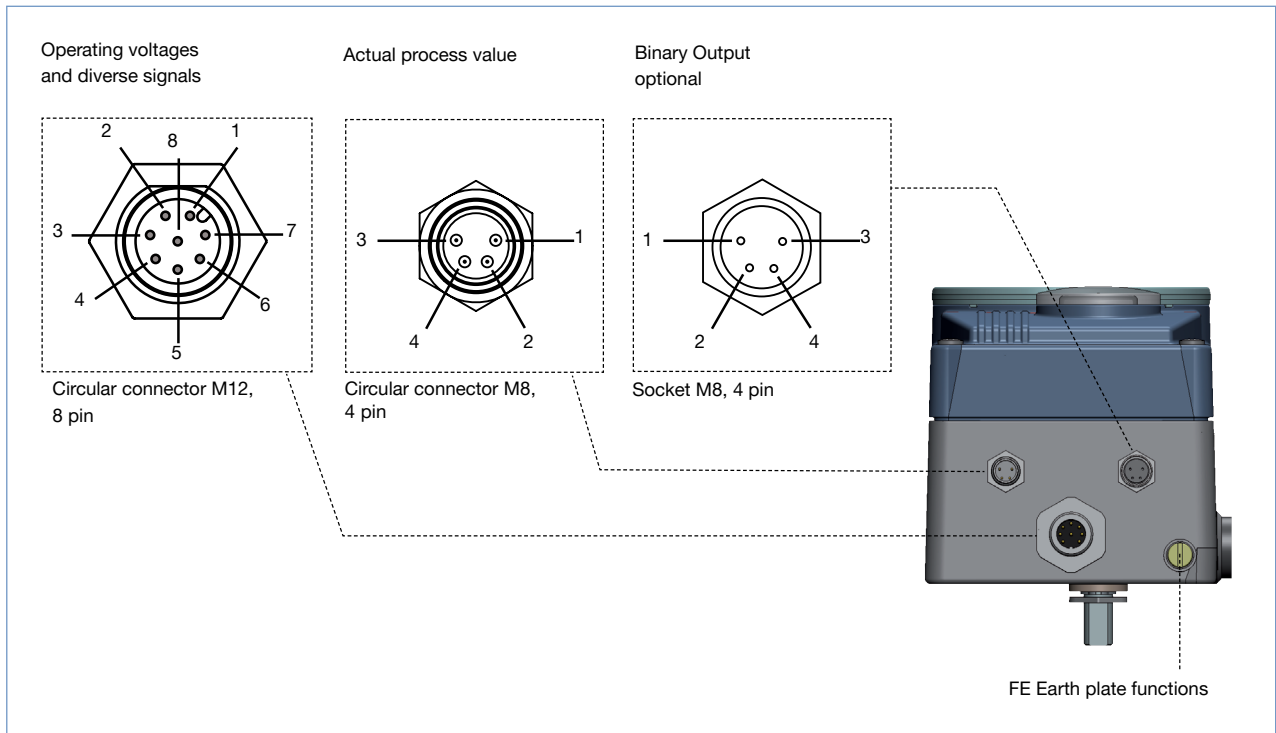
Standard Accessories	
M12 socket 8 pin with 5 m cable for power supply and input/output signals	919267 
M8 plug 4 pin for binary outputs, with solder joints	917131 
M8 socket 4 pin with 5 m cable for process actual value from sensor	264602 
M8 plug 4 pin for binary outputs, with solder joints	917131 
USB büS-Interface Set (büS-Stick + connection cable with M12 plug + connection cable M12 on micro USB for the büS service interface) to connect with PC-Tool Bürkert Communicator (only for device versions with EtherNet/IP, PROFINET, Modbus TCP and büS - Bürkert System Bus)	772551 
büS cable extension M12, length 1 m	772404 
büS cable extension M12, length 3 m	772405 
büS cable extension M12, length 5 m	772406 
büS cable extension M12, length 10 m	772407 
SIM card	291773 
Silencer G ¼" (replacement part)	780780 
Sensor puck (replacement part)	682240 
USB interface for serial communication (only for device versions with PROFIBUS / Device-Net or without fieldbus communication)	227093 
Software Bürkert Communicator	http://www.buerkert.de/de/type/8920

* Related Communication software can be downloaded from www.buerkert.com (8793)

¹⁾ External end position feedback for upgrading SideControl NAMUR

Connection options

Multi-pin connection



Circular connector M12... 8 pin (Setpoint)

Pin	Configuration	External Circuitry / signal level
1	Setpoint + (0/4 ... 20 mA or 0 ... 5/10 V)	1 + (0/4 ... 20 mA or 0 ... 5/10 V) Completely galvanically separated
2	Setpoint GND	2 GND
3	GND	3 24 V DC \pm 10 % max. residual ripple 10 %
4	+24 V	4
5	Binary input +	5 + 0 ... 5 V (log. 0) 10 ... 30 V (log. 1)
6	Binary input GND	6 GND

Optional analogue feedback

8	Analogue feedback +	8 + (0/4 ... 20 mA or 0 ... 5/10 V) Completely galvanically separated
7	Analogue feedback GND	7 GND

Socket M8, 4 pin (only with optional Binary Output)

Pin	Configuration	External Circuitry / signal level
1	Binary output 1	1 24 V / 0 V, NC / NO relative to operating voltage GND (terminal GND)
2	Binary output 2	2 24 V / 0 V, NC / NO relative to operating voltage GND (terminal GND)
3	Binary Output GND	3 GND

Connection options

Multi-pin connection, *continued*

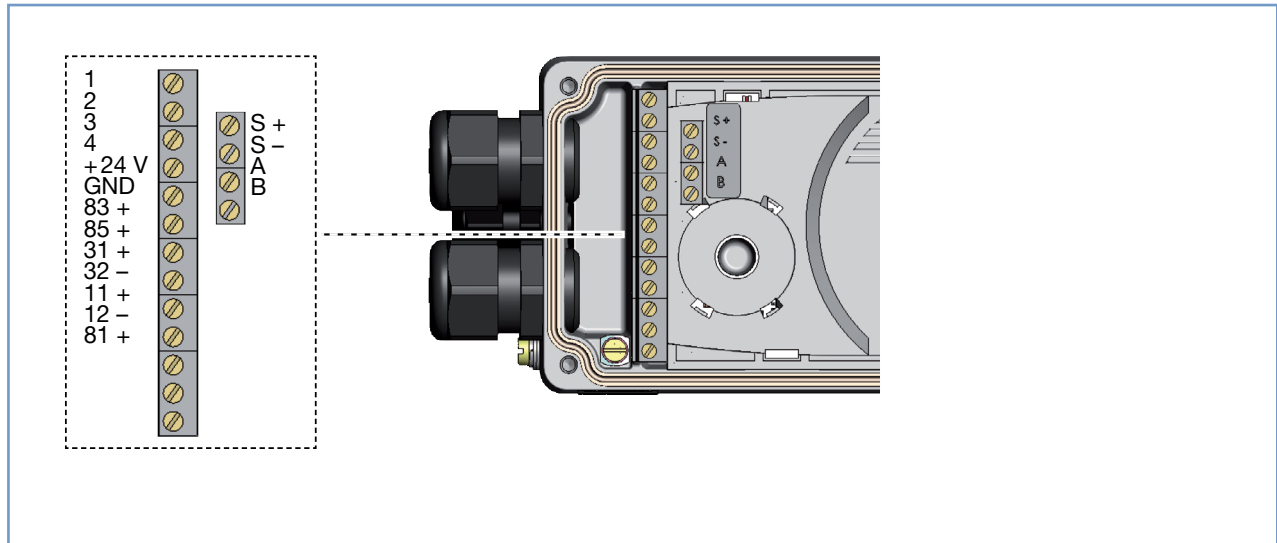
Plug assignments of the process actual value input (M8 circular plug)

Input type*	Terminal	Configuration	External Circuitry
4 ... 20 mA - internally supplied	Actual process value 1 2 3 4 GND	1 +24 V transmitter input 2 Output from transmitter 3 Bridge after GND (GND from 3-conductor transmitter) 4 Not used GND GND	
Frequency - internally supplied	Actual process value 1 2 3 4 GND	1 +24 V sensor supply 2 Clock input + 3 Not used 4 Clock input - GND GND	
4 ... 20 mA	Actual process value 1 2 3 4	1 Not used 2 Process actual + 3 Process actual - 4 Not used	
Frequency - externally supplied	Actual process value 1 2 3 4	1 Not used 2 Clock input + 3 Not used 4 Clock input -	
Pt 100 (see note below)	Actual process value 1 2 3 4	1 Not used 2 Process actual 1 (power supply) 3 Process actual 3 (GND) 4 Process actual 2 (compensation)	

*adjustable through Software

Connection options, continued

Cable gland connection



Terminal	Configuration	External Circuitry / signal level
11 +	Setpoint +	11 + + (0/4 ... 20 mA or 0 ... 5 / 10 V) Complete galvanic separation
12 -	Setpoint GND	12 - GND
81 +	Binary input +	81 + + Obtained at GND operating voltages (GND clamps)
+24 V	Operating voltages +	+24 V 24 V DC \pm 10 % Max. residual ripple 10 %
GND	Operating voltages GND	GND Max. residual ripple 10 %

Optional analogue feedback / binary output

Terminal	Configuration	External Circuitry / signal level
83 +	Binary output 1	83 + 24 V / 0 V, NC / NO obtained at GND operating voltages (GND clamps)
85 +	Binary output 2	85 + 24 V / 0 V, NC / NO obtained at GND operating voltages (GND clamps)
31 +	Analogue feedback +	31 + + (0/4 ... 20 mA or 0 ... 5/10 V) completely galvanically isolated,
32 -	Analogue feedback GND	32 - GND

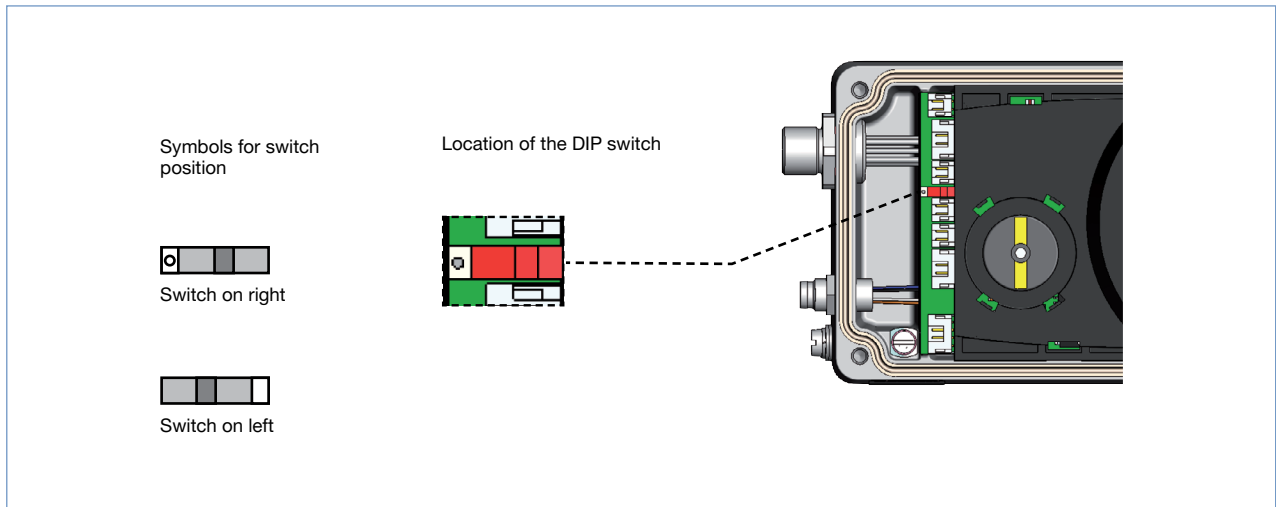
Optional remote version in connection with remote positioner sensor Type 8798


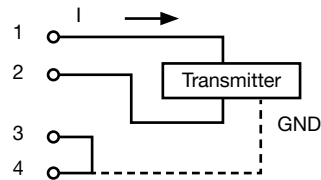

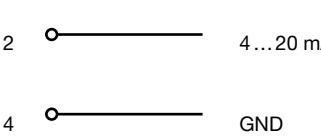

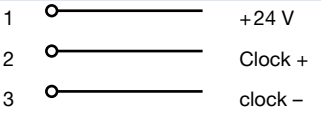
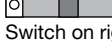
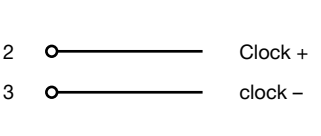

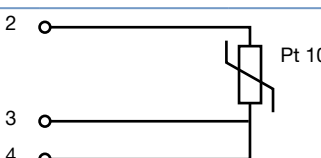
Terminal	Configuration	External Circuitry / signal level			
Remote Sensor	A	Serial interface, A cable			
	B	Serial interface, B cable			
	S +	Supply sensor +			
	S -	Supply sensor -			
			A	A line	 Remote Sensor Type 8798
		B	B line		
		S +	+		
		S -	-		

For version without remote version: terminals A, B, +, - not connected

Connection options, continued

Cable gland connection

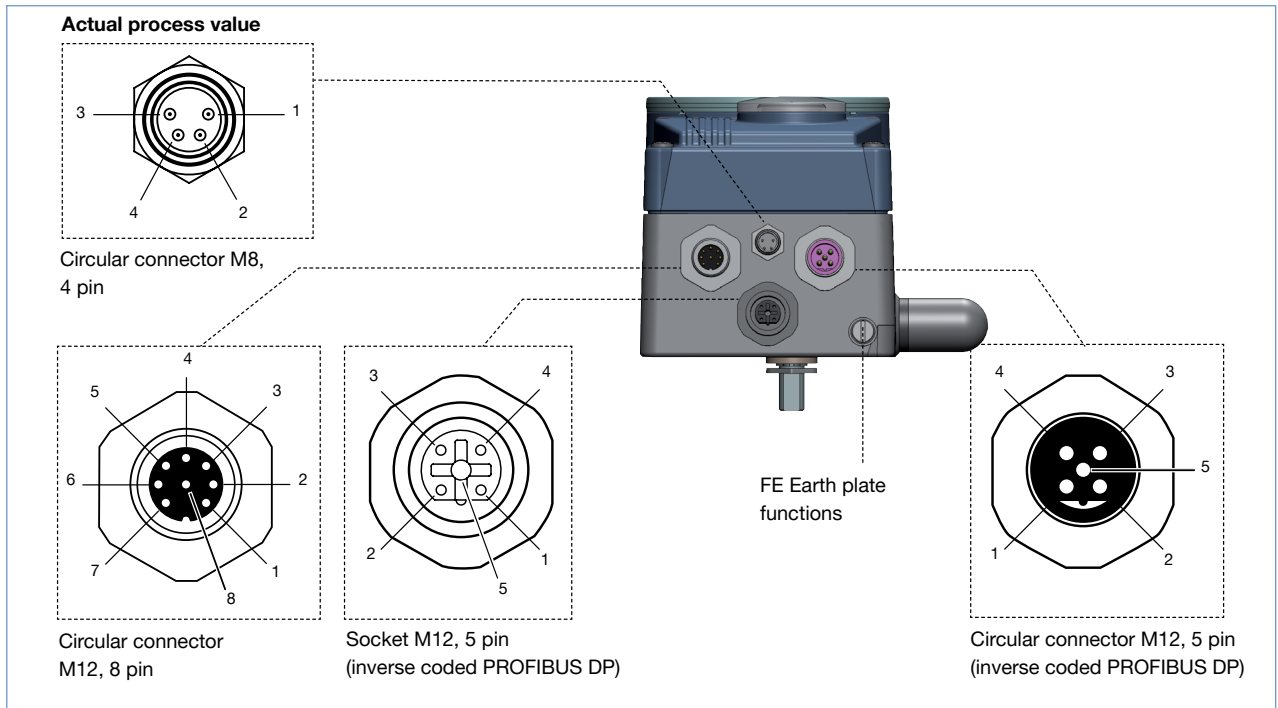


Input type*	Pin	Configuration	DIP switch	External Circuitry
4 ... 20 mA - internally supplied	1 2 3 4	+ 24 V Transmitter supply Output from transmitter GND Bridge after GND (GND from 3-conductor transmitter)	 Switch on left	
4 ... 20 mA - externally supplied	1 2 3 4	Not used Process actual + Not used Process actual -	 Switch on right	
Frequency - internally supplied	1 2 3 4	+ 24 V sensor supply Clock input + Clock input - (GND) Not used	 Switch on left	
Frequency - externally supplied	1 2 3 4	Not used Clock input + Clock input - Not used	 Switch on right	
Pt 100 (see note below)	1 2 3 4	Not used Process actual 1 (power supply) Process actual 3 (GND) Process actual 2 (compensation)	 Switch on right	

*adjustable through Software

Connection options, continued

PROFIBUS DP connection



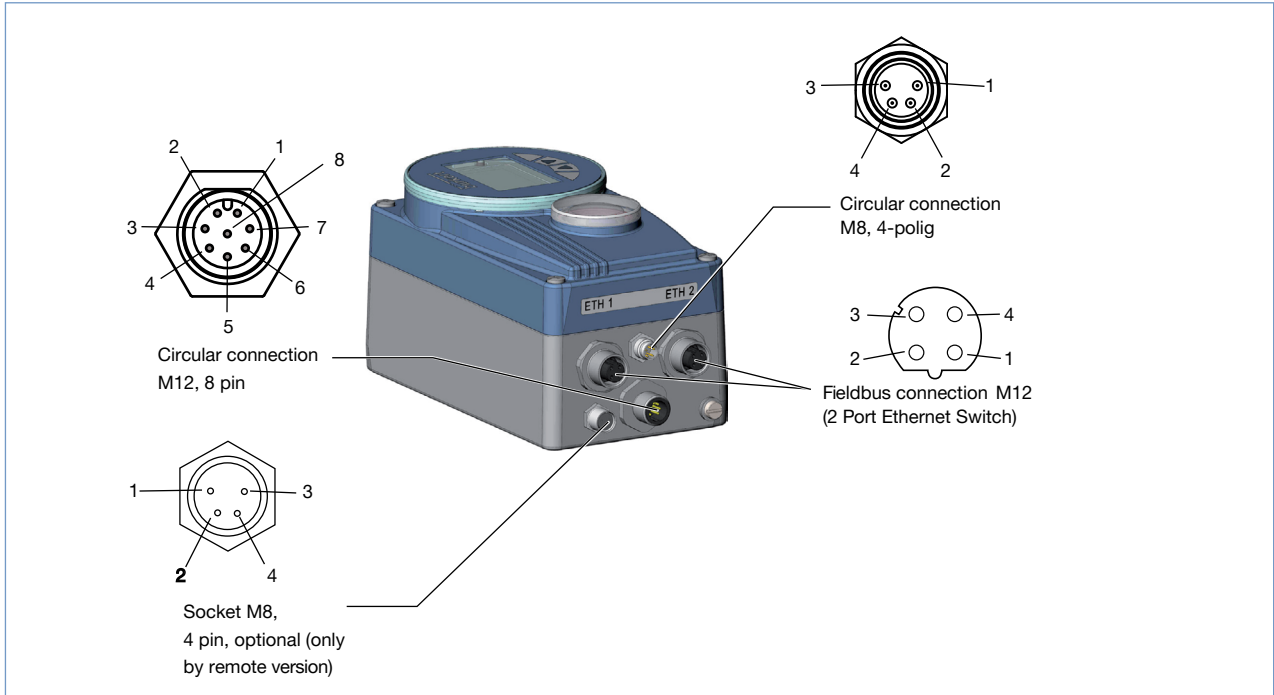
Operating voltages - circular connector M12, 8 pin

Pin	Configuration	External Circuitry / signal level
1	Not used	
2	Not used	
3	GND	
4	+24 V	
5	Binary input +	
6	Binary input -	
7	Binary output 1 (oriented at Pin 3)	
8	Binary output 2 (oriented at Pin 3)	

Fieldbus connection - socket/circular connector M12, 5 pin

Pin	Configuration	External Circuitry / signal level
1	VP+ 5	Load resistance supply
2	RxD/TxD-N	Receive and send information -N, A Circuitry
3	DGND	Information transfer potential (measured to 5 V)
4	RxD/TxD-P	Receive and send information -N, A Circuitry
5	Shield	Shield / protective earth

EtherNet/IP, PROFINET, Modbus TCP connection



Fieldbus connections M12 D-coded

Connections for EtherNet/IP takes placeover circular connector M12, 4 pin D-coded

	Pin 1	Transmit +
	Pin 2	Receive +
	Pin 3	Transmit -
	Pin 4	Receive -

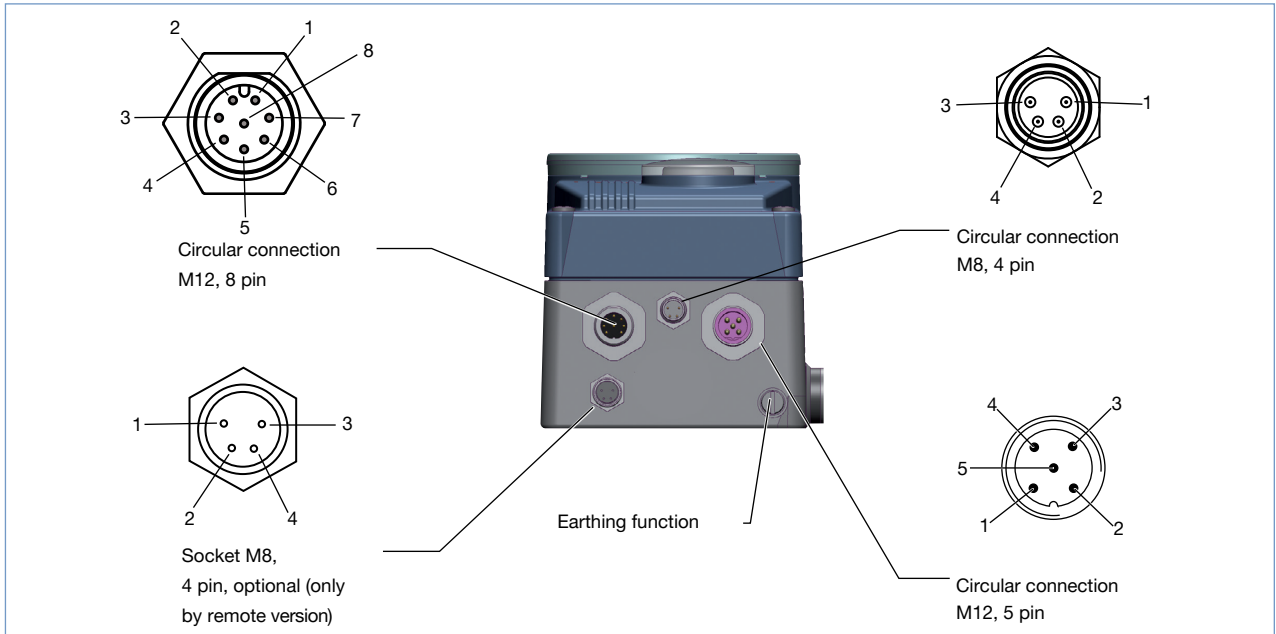
Operating system - circular connector M12, 8 pin

Pin	Configuration	Device side	External circuitry / signal level
1	not allocated		
2	not allocated		
Operating voltage			
3	GND		24 V DC ± 10 % max. residual ripple 10%
4	+ 24 V		
Input signals (e.g. SPS)			
5	Binary input +		0...5 V (log.0) 10...30 V (log.1)
6	Binary input -		
Output signal (e.g. SPS) - (Only used for binary output option)			
7	Binary output 1 (correlated to pin 3)		0...24 V
8	Binary output 2 (correlated to pin 3)		0...24 V

Connection of the digital, non-contact displacement transducer, Type 8798

Pin	Configuration	Device side	External circuitry
1	Sensor power supply +	S +	
2	Sensor power supply -	S -	
3	Serial interface, A-line	A	
4	Serial interface, B-line	B	

büS connection (Bürkert System Bus)



Fieldbus connection- circular connection M12x1, 5 pin

Pin	Wire colour	Configuration
1	CAN-Schild / Shielding	CAN-Schild / Shielding
2	not allocated	
3	Black	Black GND / CAN_GND
4	White	White CAN_H
5	Blue	Blue CAN_L

Operating voltage - circular connections M12, 8 pin

Pin	Configuration	Device side	External circuitry / signal level
1	not allocated		
2	not allocated		
Operating voltage			
3	GND		24 V DC ± 10 % max. residual ripple 10%
4	+ 24 V		
Input signal (e.g. SPS)			
5	Binary input +		0...5 V (log.0) 10...30 V (log.1)
6	Binary input -		
Output signal (e.g. SPS) - (Nur belegt bei Option Binärausgang)			
7	Binary output 1 (correlated to pin 3)		0...24 V
8	Binary output 2 (correlated to pin 3)		0...24 V

Connection of digital remote position sensor Type 8798 - Socket M8, 4 pin (optional)

Pin	Configuration	Device side	External circuitry
1	Sensor power supply +	S +	
2	Sensor power supply -	S -	
3	Serial interface, A-line	A	
4	Serial interface, B-line	B	

Connection of analogue remote position sensor - Socket M8, 4 pin (optional)

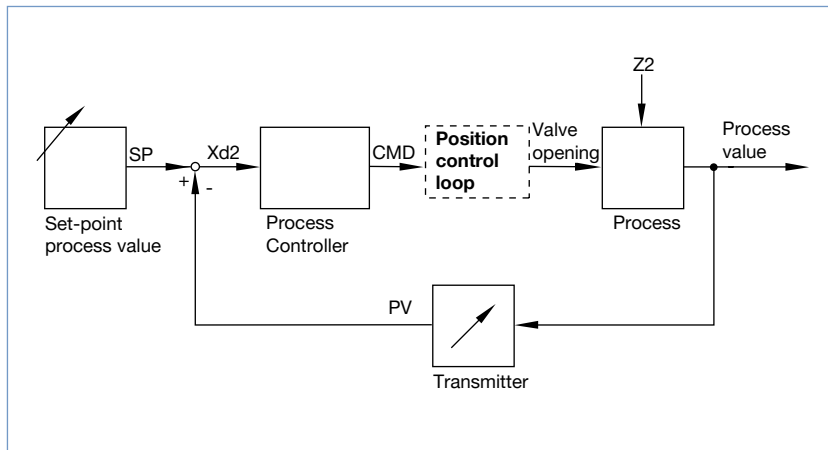
Pin	Configuration	Device side	External circuitry
1	Potentiometer 1	1	
2	Sliding contact 2	2	
3	Potentiometer 3	3	
4	not allocated		

Circular plug M8, 4 pin - process actual value (for Type 8793)

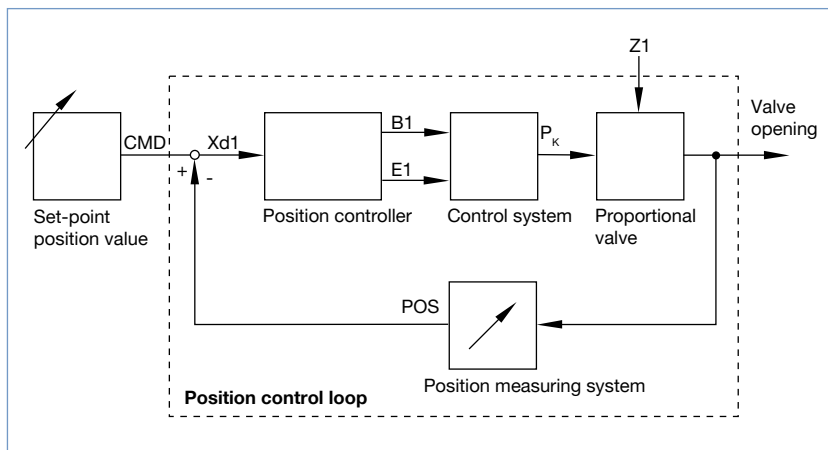
Input type*	Pin	Wire colour **	Configuration	DIP-Switch***	Device side	External Circuitry
4...20 mA - internal supply	1	brown	+24 V supply transmitter output form transmitter GND (identical with GND operating voltage bridge acc. to GND (Pin 3)			Transmitter GND
	2	white				
	3	blue				
	4	black				
4...20 mA - external supply	1	brown	not allocated			4...20 mA GND 4...20 mA
	2	white	process value +			
	3	blue	not allocated			
	4	black	process value -			
Frequency - internal supply	1	brown	+24 V supply to sensor measured input + measured input - (GND)			+24 V measured + measured - GND (identical with GND operating voltage)
	2	white				
	3	blue				
	4	black				

Signal flow plan

Process control loop



Position control loop



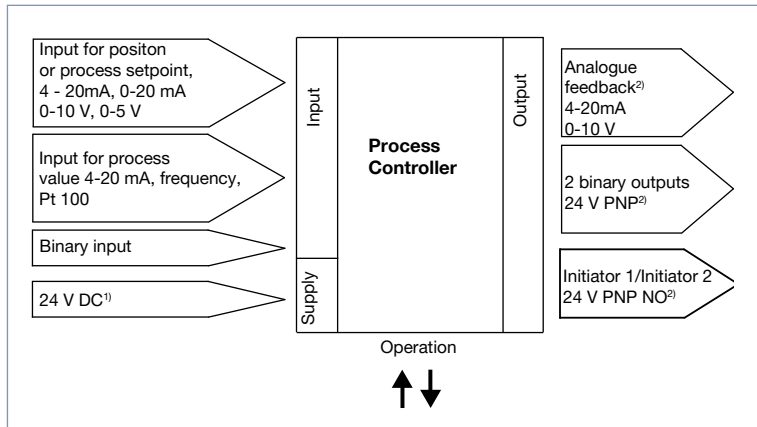
Additional software options of the process controller SideControl Type 8793 (extract)

- Automatic start of the control system
- Automatic parameterisation of the process control loop
- Automatic or manual characteristics curves selection
- Setting of the seal and the maximum stroke threshold respectively
- Parameterisation of the positioner
- Manual parameterisation of process controller
- Limitation of the stroke range
- Limitation of the manipulating speed
- Setting of the moving direction
- Configuration of the binary input
- Signal range splitting on several controllers
- Configuration of analogue or 2 binary outputs
- Signal fault detection
- Safety position
- Code protection
- Contrast inversion of the display
- Parametrisable diagnostic functions* / Binary output (option)
 - Operating-hours counter
 - Path accumulator
 - Position monitoring
 - Process actual value monitoring
 - Graphical display of the dwell time density and movement range
 - Monitoring of the mechanical end positions in the armature

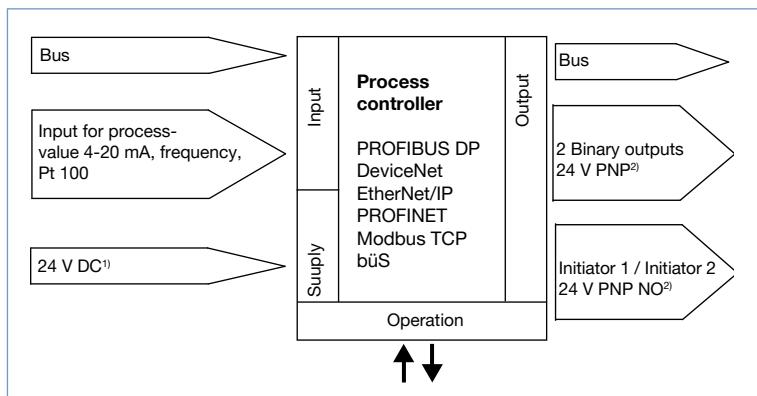
* You will find more diagnostic functions with a detailed description in the operating manual for Type 8792/93

Schematic diagram of SideControl, Type 8793

Without fieldbus interface



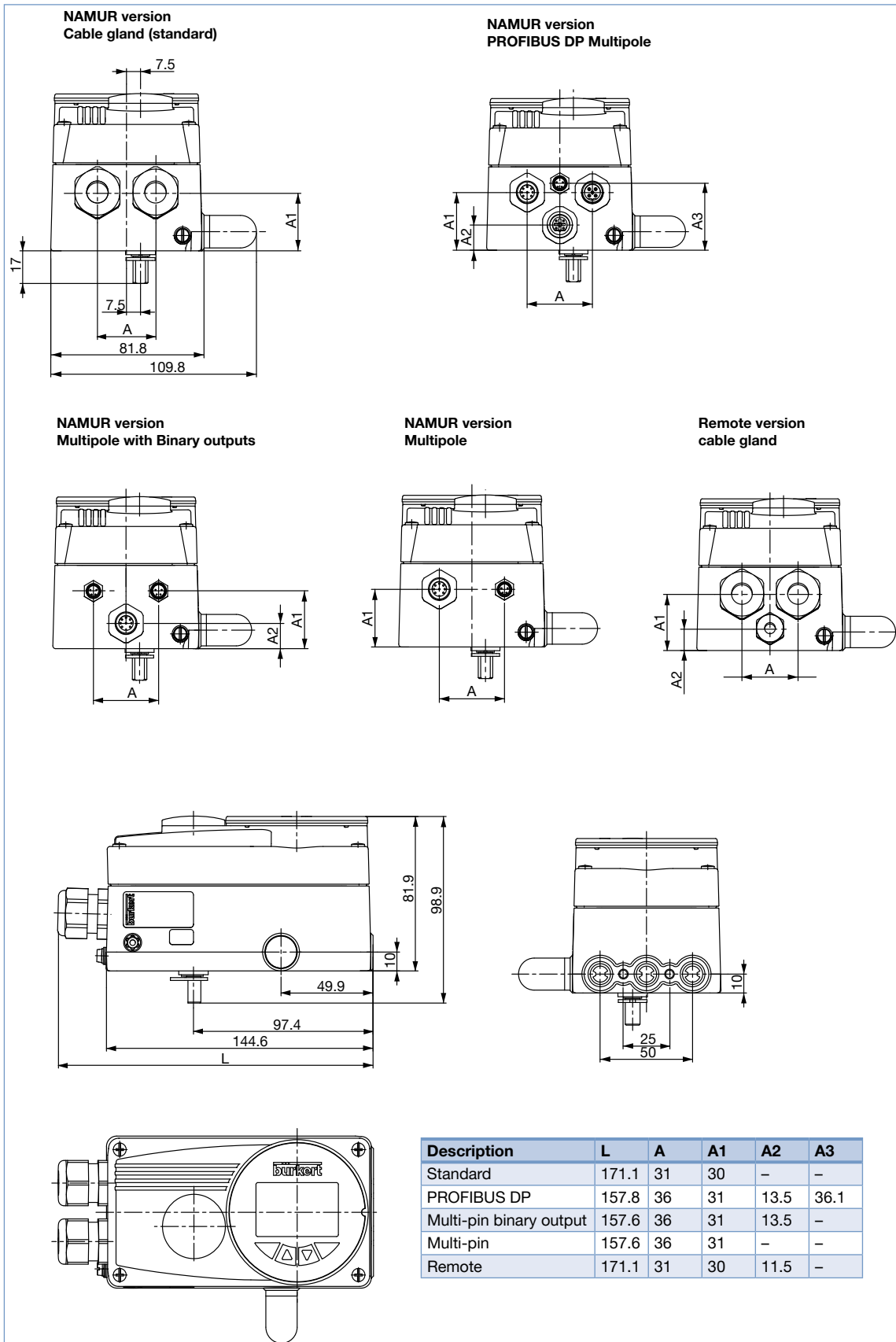
Mit PROFIBUS DP, DeviceNet, EtherNet/IP, PROFINET, Modbus TCP and bÜS - Bürkert System Bus



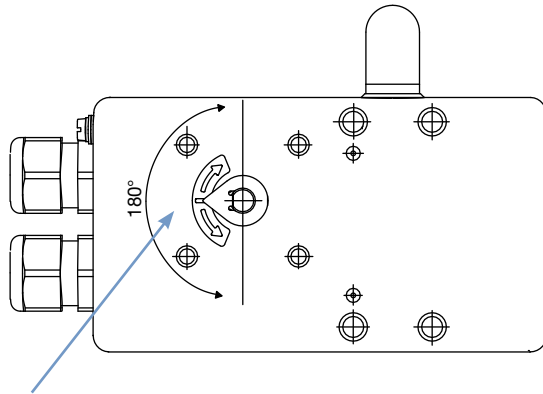
¹⁾ The operating voltage is supplied with a 3-wire unit independent from the setpoint signal

²⁾ Alternative options

Dimensions [mm]



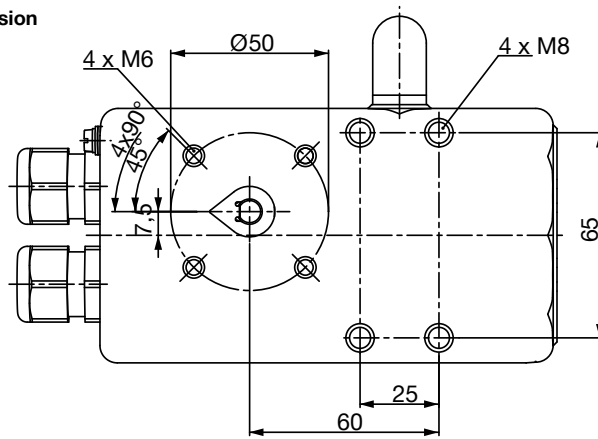
Dimensions [mm]



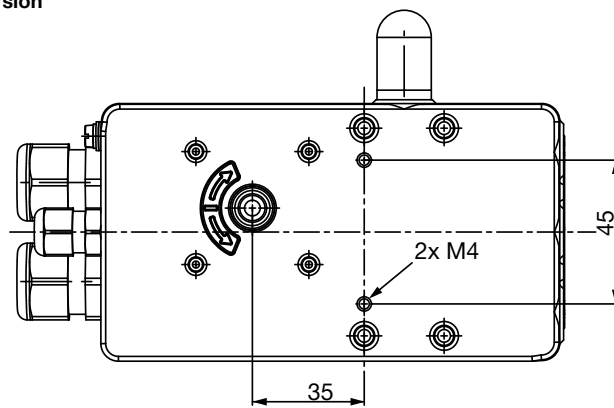
The rotation angle of the sensor must be within a range of 180°

With the valve open approx. 50%, the sensor indicator should be in this position.

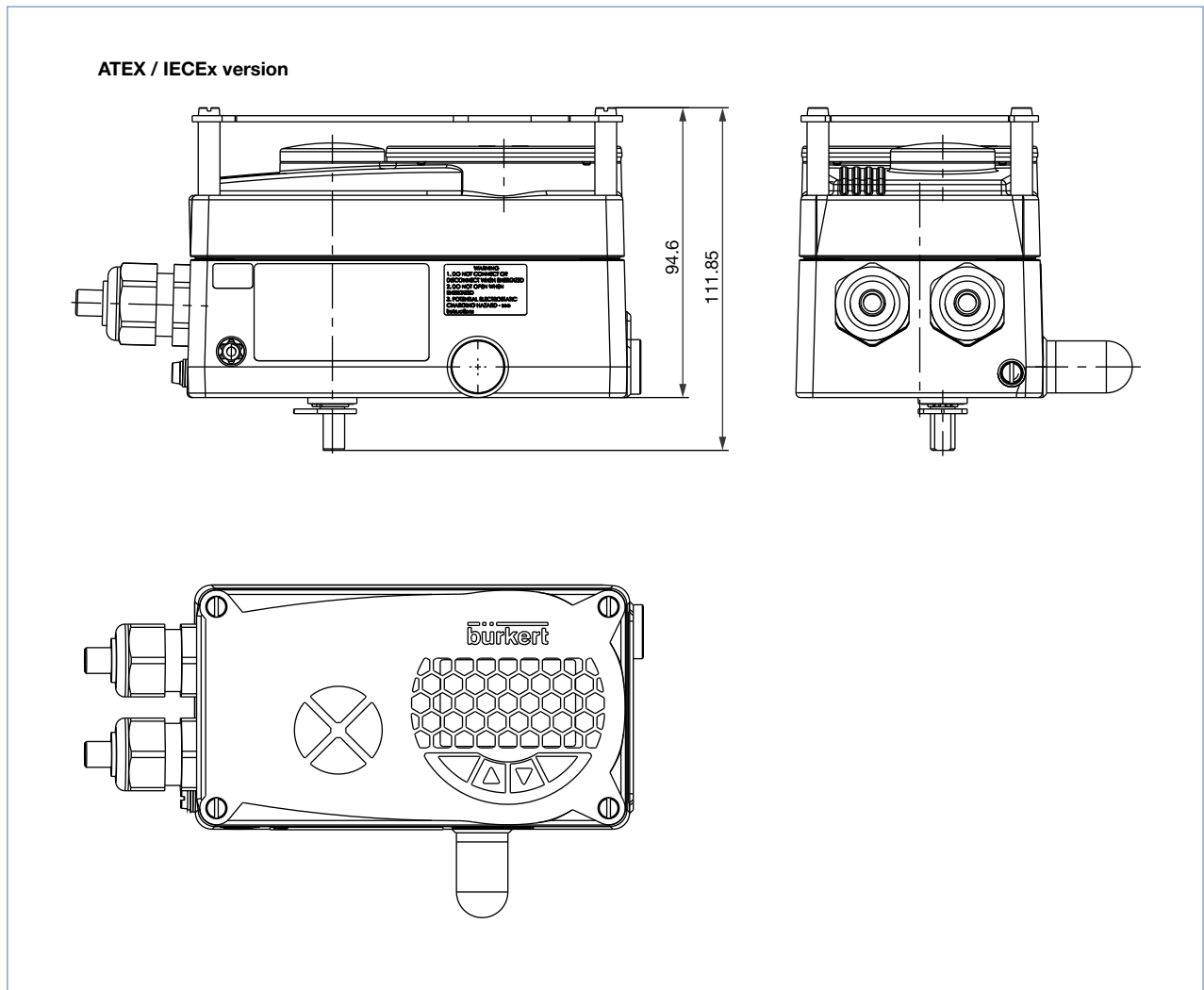
NAMUR Version



Remote Version



Dimensions [mm], continued



To find your nearest Bürkert facility, click on the orange box → www.burkert.com

In case of special application conditions,
please consult for advice

Subject to alterations.
© Christian Bürkert GmbH & Co. KG

1811/17_EU-en_00895120