



Mass Flow Controller (MFC)/ Mass Flow Meter (MFM) for Gases

- Nominal flow ranges from 0.010 IN/min to 160 IN/min
- High accuracy and repeatability with very fast response times
- Easy device exchange through configuration memory
- Communication via fieldbus based on CANopen
- Optional: ATEX II Kat. 3G/D or USP Class VI, FDA, EG 1935 conformity

Product variants described in the data sheet may differ from the product presentation and description.

Can be combined with

	Type 6011 Plunger valve 2/2 way direct-acting	▶
	Type 6013 Plunger valve 2/2 way direct-acting	▶
	Type 6027 Direct-acting 2/2 way plunger valve	▶
	Type 0330 Direct-acting 2/2 or 3/2 way pivoted armature valve	▶
	Type ME43 Fieldbus gateway	▶

Type description

The mass flow controller (MFC) / meter (MFM) Type 8742 for gases is suitable for a wide range of applications. Type 8742 communicates via the Bürkert system bus (büS). This CANopen based interface is suitable for the integration into existing CANopen networks, as well as Industrial Ethernet or fieldbus networks in combination with the fieldbus gateway of Type ME43. The second option is tailor-made for applications with many control loops. Up to 32 MFC / MFM can be connected to one fieldbus gateway. Type ME43 translates the internal CANopen based communication to industry standards for both Industrial Ethernet and fieldbuses. The mass flow controller / meter can always be switched between büS and CANopen communication.

Type 8742 can be configured as MFM or MFC. Optional, up to four different gases calibrations can be stored in the device. The thermal MEMS sensor is located directly in the gas stream and therefore reaches very fast response times. A direct-acting proportional valve as regulating unit guarantees high sensitivity. The integrated PI controller ensures outstanding control characteristics of the MFC / MFM.

Type 8742 is especially designed for use in harsh environments due to high protection class and explosion-proof.

Table of contents

1. General technical data	4
2. Approvals	5
3. Dimensions	6
3.1. MFM or MFC with internal valve (Type 2871)	6
3.2. MFM or MFC with internal valve (Type 2871), sub-base version	7
3.3. MFC with external valve (Type 2873)	7
3.4. MFM for high nominal flow rates	8
3.5. MFC with external valve (Type 2873) for high nominal flow rates	8
3.6. MFC with external valve (Type 2875) for high nominal flow rates	9
4. Device / Process connections	9
4.1. Pin Configuration	9
5. Performance specifications	10
5.1. Pressure loss diagram	10
Pressure Loss Diagram of the MFM	10
5.2. Flow characteristic	10
Nominal flow range of typical gases	10
6. Product operation	11
6.1. Measuring principle	11
7. Product design and assembly	11
7.1. Product features	11
Measures to comply with ATEX requirements	11
7.2. Product assembly	12
8. Product accessories	13
8.1. Bürkert Communicator Software	13
Type 8742 connection with Bürkert Communicator software	13
9. Ordering information	14
9.1. Bürkert eShop – Easy ordering and quick delivery	14
9.2. Advice on product choice:	14
9.3. Ordering chart accessories	14

1. General technical data







Product properties	
Materials	
Body	Stainless steel or aluminium
Housing	Aluminium die casting (coated)
Seals	FKM or EPDM (depending on gas)
Dimensions	See "3. Dimensions" on page 5
Total weight	ca. 950 g (stainless steel body)
Protection class	IP65 und IP67
Configuration memory (included in delivery)	Industrial µSIM card for ease of replacement
Device status	RGB-LED based on NAMUR NE107
Electrical data	
Operating voltage	24 V DC
Voltage tolerance	± 10 %
Power consumption ^{1.)}	1 W (as MFM), Max. 3...17.5 W (as MFC, depending on type of solenoid control valve)
Electr. connection	M12 plug, 5 pin
Residual ripple	± 2 %
Digital Comm.	CANopen or CAN based bus
Performance data	
Nominal flow range (Q_{nom})	10 ml _N /min to 160 l _N /min (N ₂)
Turn-down ratio	1:50, optional 1:100
Max. operating pressure	10 bar (145 psi), for MFCs the max. pressure depends on the orifice of the valve
Ambient temperature	- 10 °C to + 50 °C (higher temperatures on request)
Accuracy	± 0.8 % o.R. ± 0.3 % F.S. (after 1 min. warm up time)
Repeatability	± 0.1 % F.S.
Settling (MFC)/response (MFM) time ($t_{95\%}$)	< 300 ms
Control valve (prop. valve)	Normally closed
Valve orifice range	0.05...8 mm
K _{vs} value range	0.00006...1.1 m ³ /h
Medium data	
Operating medium	Neutral, non-contaminated gases, others on request
Calibration medium	Operating gas or air
Medium temperature	- 10 °C to + 70 °C (- 10 °C to + 60 °C with oxygen)
Product connections	
Port connection	NPT ¼, G ¼, flange, clamp ring or vacuum fitting, others on request
Environment and installation	
Installation	Horizontal or vertical
Accessories	
Software	Bürkert Communicator

1.) Data refers to the typical power consumption (at 23 °C ambient temperature, nominal flow rate and 30 min. control mode). The specifications according to UL 61010-1 can differ (see instruction manual).

2. Approvals

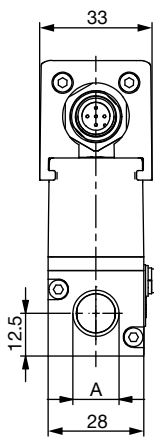
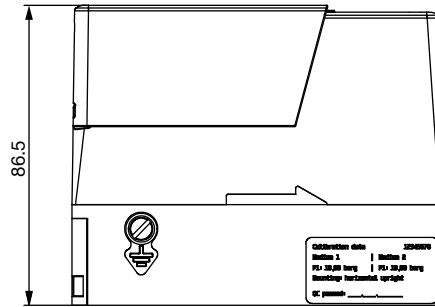
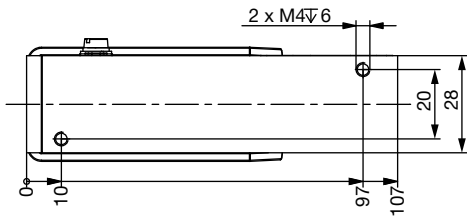
Note:

- The approvals and conformities listed below must be stated when making enquiries. This is the only way to ensure that the product complies with all required specifications.
- Not all available types can be supplied with the above approvals or conformities.

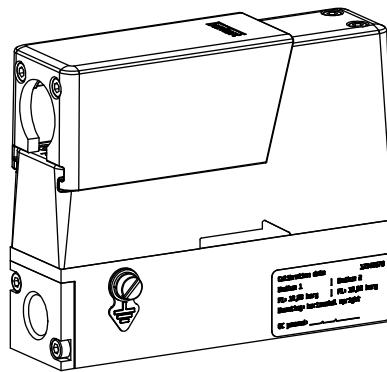
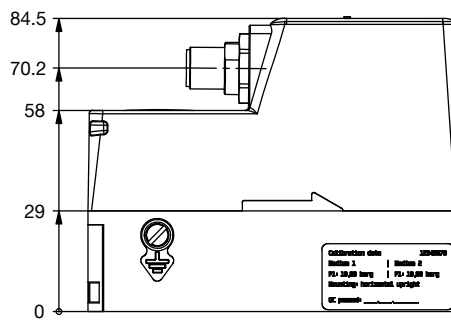
Approvals	Description
	Approval UL 611010 – 1 (ELECTRICAL EQUIPMENT FOR MEASUREMENT, CONTROL, AND LABORATORY USE - Part 1: General Requirements)
Approvals	Description
	Approval CAN/CSA-C22.2 No. 61010-1 (ELECTRICAL EQUIPMENT FOR MEASUREMENT, CONTROL, AND LABORATORY USE - Part 1: General Requirements)
Conformity	Description
	Conformity of all materials in contact with the medium USP Class VI Kapitel “87 in vitro” and “88 in vivo, Implantation” – Code of Federal Regulations Title 21 Paragraph 177 (CFR 21 177.2600)
Conformity	Description
	Conformity of all materials in contact with the medium FDA – Code of Federal Regulations Title 21 Paragraph 177 (CFR 21 177.2600)
Conformity	Description
	Conformity of all materials in contact with the medium Regulation (EC) No 1935/2004 on materials and objects intended to come into contact with food
Conformity	Description
	ATEX II 3G Ex nA IIC T* Gc X und II 3D Ex tc IIIC T***°C Dc X1

3. Dimensions

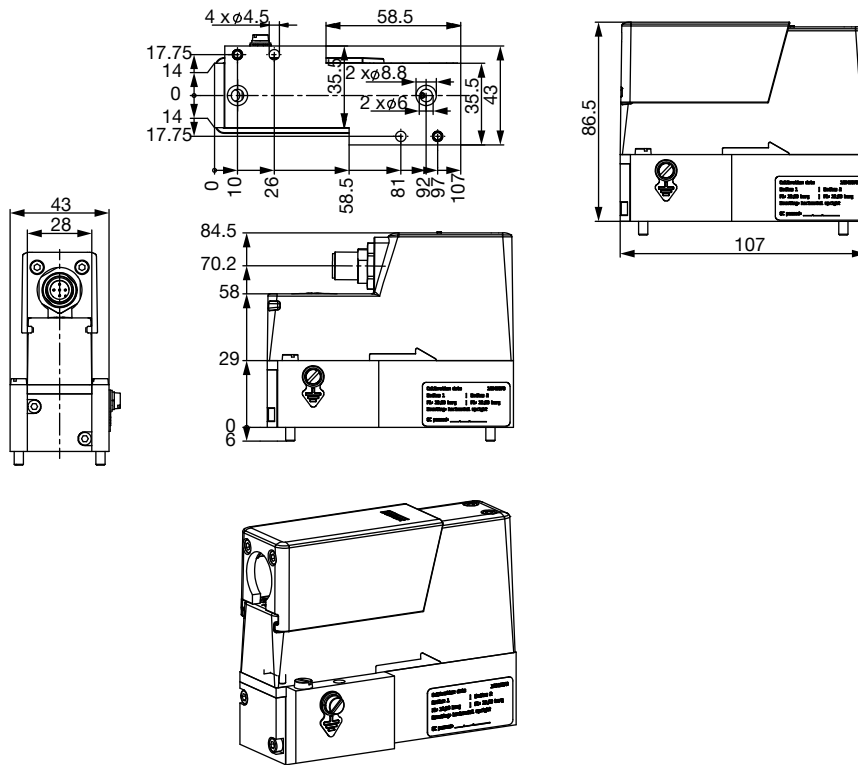
3.1. MFM or MFC with internal valve (Type 2871)



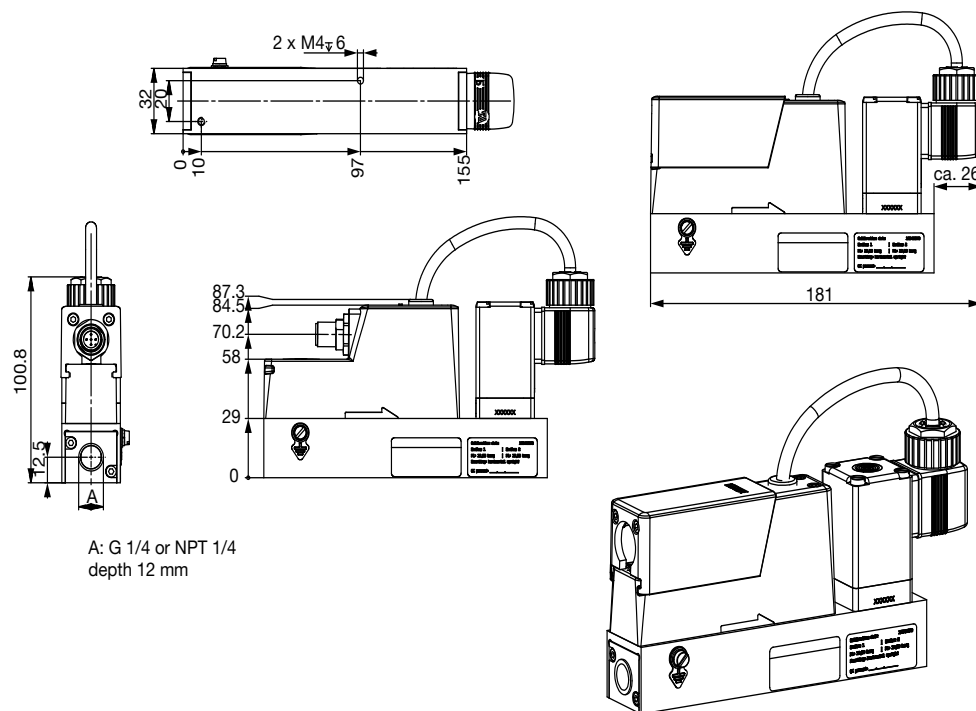
A: G 1/4 or NPT 1/4
depth 12 mm



3.2. MFM or MFC with internal valve (Type 2871), sub-base version

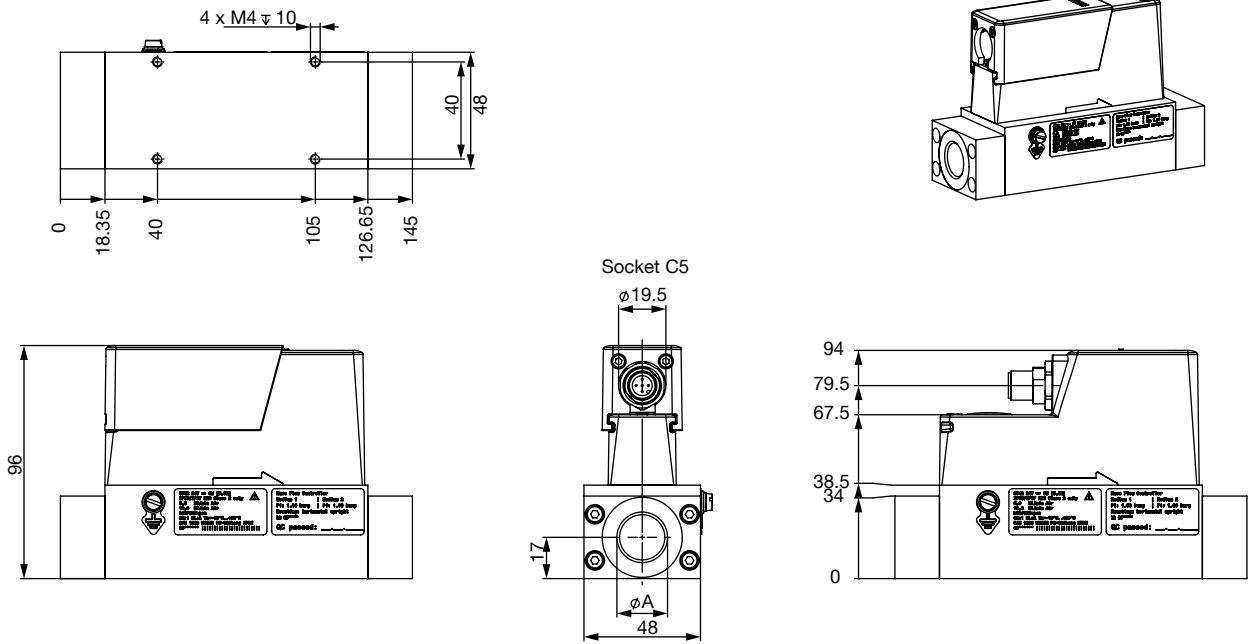


3.3. MFC with external valve (Type 2873)

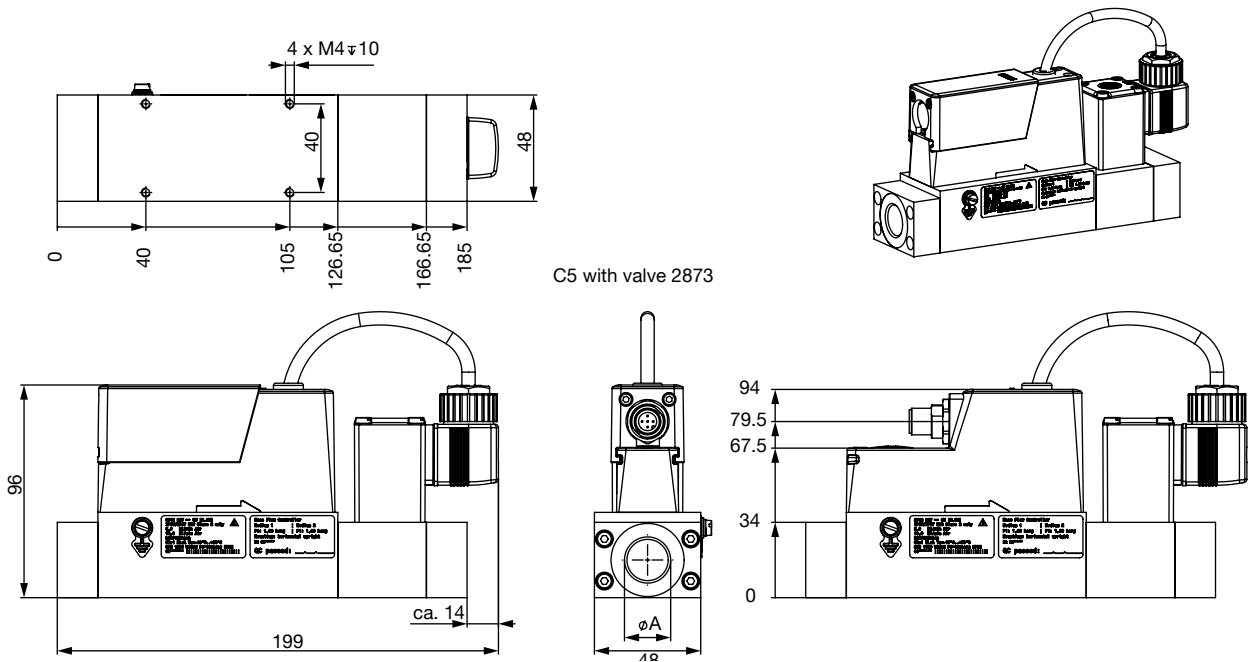


DTS 1000236628 EN Version: O Status: RL (released | freigegeben | valide) printed: 31.01.2019

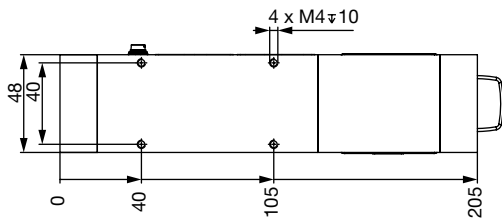
3.4. MFM for high nominal flow rates



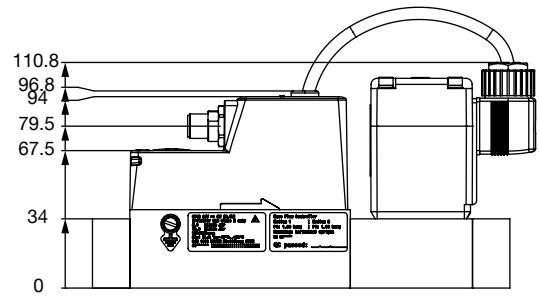
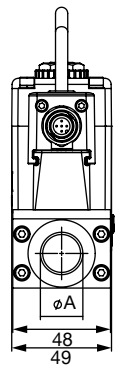
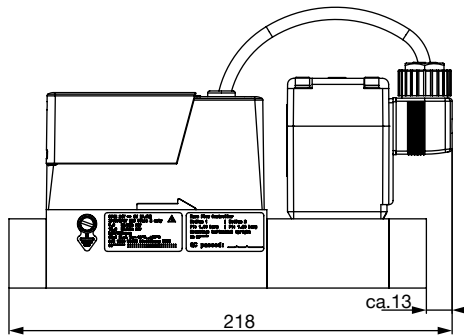
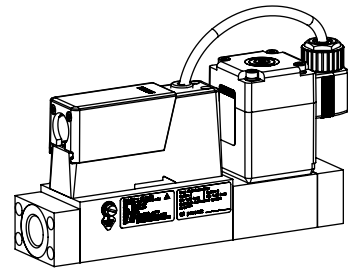
3.5. MFC with external valve (Type 2873) for high nominal flow rates



3.6. MFC with external valve (Type 2875) for high nominal flow rates



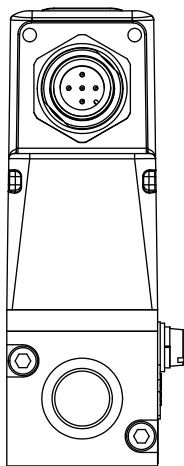
C5 with valve 2875



DTS 1000236628 EN Version: O Status: RL (released | freigegeben | valide) printed: 31.01.2019

4. Device / Process connections

4.1. Pin Configuration



M12 Plug, 5 pin (A-coded)	Pin	Configuration
	1	SHIELD
	2	V+
	3	DGND
	4	CAN_H
	5	CAN_L

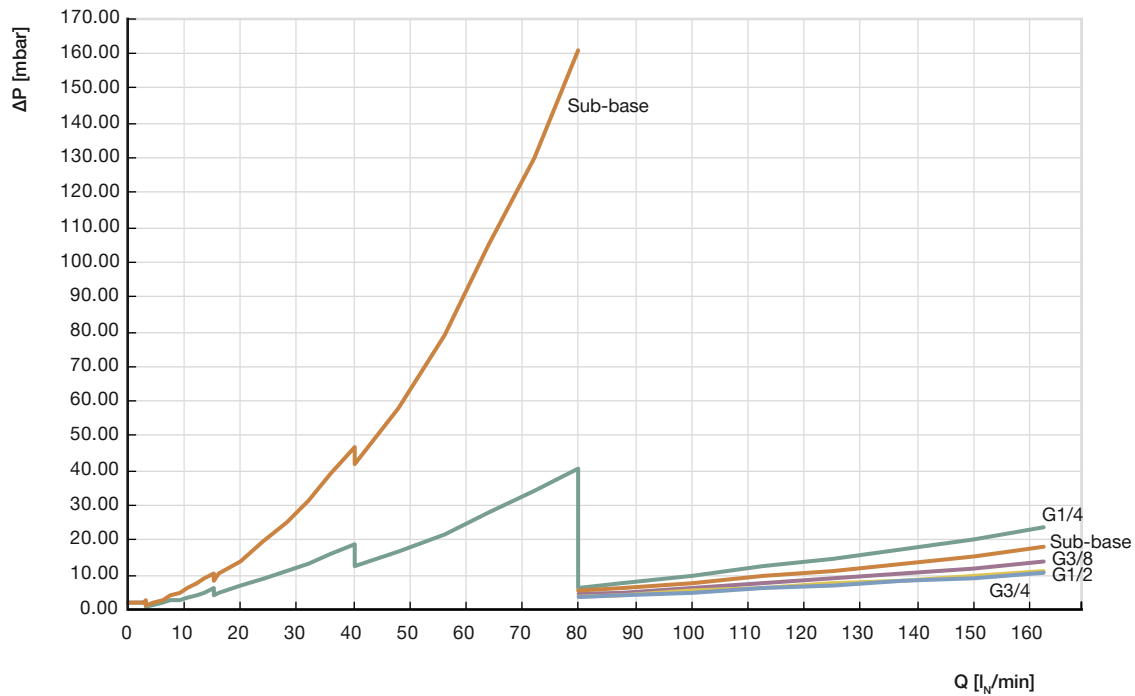
5. Performance specifications

5.1. Pressure loss diagram

Pressure Loss Diagram of the MFM

The diagram shows an example of the pressure loss characteristics when air flows through. To determine the pressure loss of another gas, the corresponding air equivalent must first be calculated and the basic fluidics used for the other gas taken into account.

Chip Sensor up to 160 l_N/min



5.2. Flow characteristic

Nominal flow range of typical gases

Note:

All values refer to 1.013 bara and 0 °C (Index N)

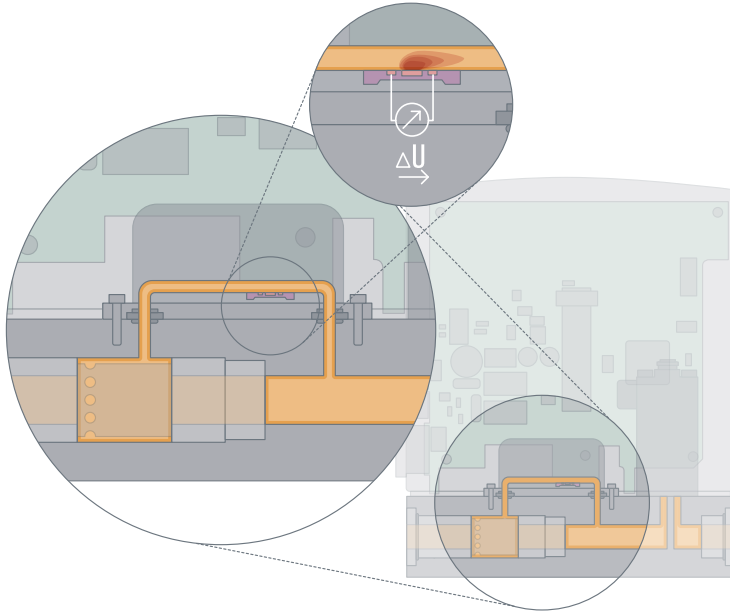
Gas	Min. Q _{nom} [l _N /min]	Max. Q _{nom} [l _N /min]
Argon	0.01	160
Acetylene	0.01	65
Helium	0.01	1000
Carbon dioxide	0.02	80
Air	0.01	160
Methane	0.01	160
Oxygen	0.01	160
Nitrogen	0.01	160
Hydrogen	0.01	1000
Propane	0.03	44

6. Product operation

6.1. Measuring principle

The actual flow rate is detected by a sensor. This operates according to a thermal principle which has the advantage of providing the mass flow which is independent on pressure and temperature.

A small part of the total gas stream is diverted into a small, specifically designed bypassing channel which ensures laminar flow conditions. The sensor element is a chip immersed into the wall of this flow channel. The chip, produced in MEMS technology, contains a heating resistor and two temperature sensors (thermopiles) which are arranged symmetrically upstream and downstream of the heater. The differential voltage of the thermopiles is a measure of the mass flow rate passing the flow sensor. The calibration procedure effectuates a unique assignment of the sensor signal to the total flow rate through the device.



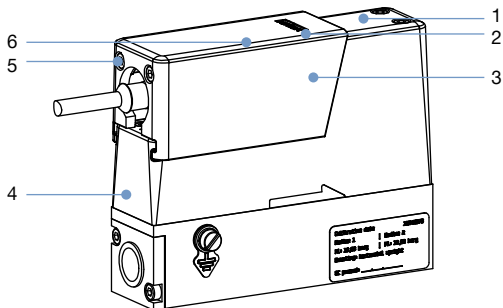
7. Product design and assembly

7.1. Product features

Measures to comply with ATEX requirements

Note:

Devices with ATEX conformity meet protection class IP65.

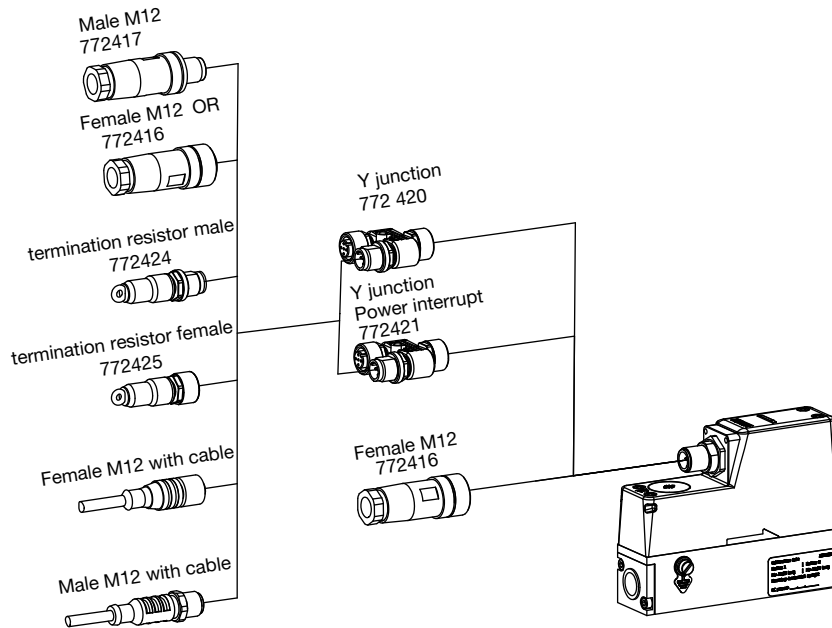


No.	Description
1	Standard requirements for cable glands are fulfilled for versions with external valve
2	LED display protected against mechanical stress
3	M12 plug achieves protection class IP65 and IP67 with and without mounted counterpart
4	IP protection under high mechanical stress
5	Screws prevent uncoupling of the M12 connection under tension
6	Impact protection cap prevents damage of the M12 plug and all connected elements if mechanical stress is applied. No particular ATEX sockets are required

7.2. Product assembly

Note

The coding of the M12 plug (see “4.1. Pin Configuration” on page 8) and the housing limit the orientation of the Y or T-junctions. If you select and use your own junctions, please consider these limitations.



8. Product accessories

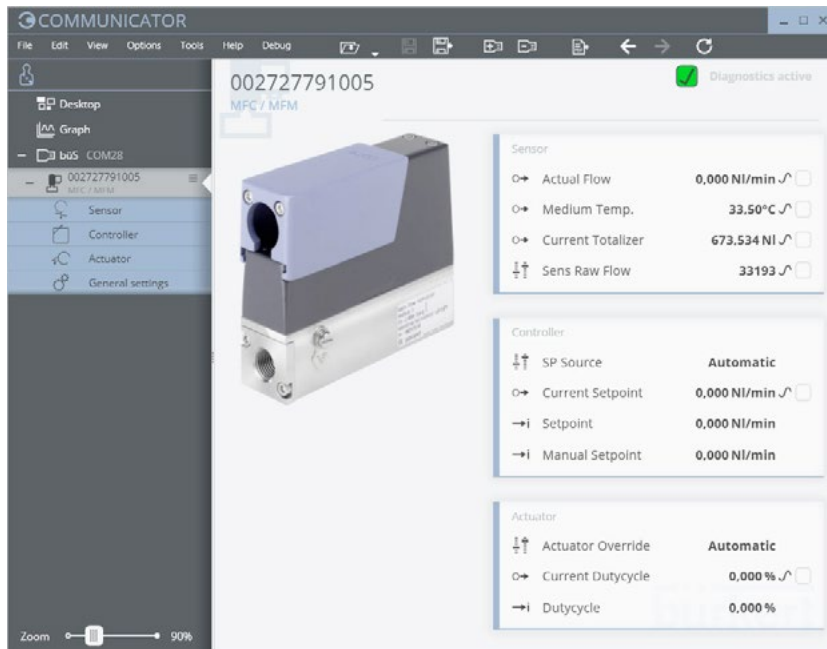
8.1. Bürkert Communicator Software

Note:

To install the software, click [here](#).

Part of Bürkert's new EDIP program (Efficient Device Integration Platform) is the Bürkert Communicator. This software can be run under MS-Windows and it is available on Bürkert's website for free. The Bürkert Communicator allows convenient system configuration and parametrisation of all connected field devices. An accessory part, the bÜS-stick serves as the interface between computer and process instruments (see "9.3. Ordering chart accessories" on page 13). It transfers "USB data" to "CAN data". The Communicator allows:

- Diagnosis
- Parametrization
- Registration and storage of process data
- To watch graph of process
- To update firmware of the bÜS device connected
- Guided re-calibration



Type 8742 connection with Bürkert Communicator software

The interface to the "Bürkert Communicator" software tool is based on CANopen. The appropriate bus termination is mandatory. For Type 8742, the terminating resistor on the bÜS-Stick should not be activated if the device is already integrated in a properly terminated bus network.

To connect the MFC / MFM with the "Bürkert Communicator" software tool, you need a bÜS-stick. The bÜS-stick sets contain the necessary accessories.

9. Ordering information

9.1. Bürkert eShop – Easy ordering and quick delivery

You would like to find your desired Bürkert product or spare part quickly? Our eShop is available for you around the clock! Register now and order easily and conveniently. Find out about articles, stocks, delivery times, individual prices and benefits from additional “MyBürkert”-functions.

Discover the many advantages of the Bürkert eShop now! ▶

9.2. Advice on product choice:

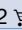
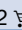
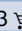
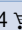
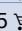
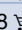
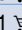
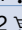
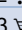
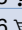
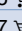
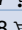
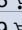
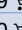
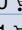
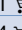
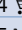
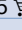
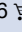
Note:

The “[product questionnaire form](#)” on page 15 contains the relevant fluid specification. Using the experience of Bürkert engineers already in the design phase provide us with a copy of the request containing the necessary data together with your inquiry or order.

For the proper choice of the actuator orifice within the MFC, not only the required maximum flow rate Q_{nom} , but also the pressure values directly before and after the MFC (p_1 , p_2) at this flow rate Q_{nom} should be known. In general, these pressures are not the same as the overall inlet and outlet pressures of the whole plant, because usually there are additional flow resistors (tubing, additional shut-off valves, nozzles etc.) present both before and after the controller.

Please use the “[product questionnaire form](#)” on page 15 to indicate the pressures directly before and after the MFC. If these are unknown or not accessible to a measurement, estimates are to be made by taking into account the approximate pressure drops over the flow resistors before and after the MFC, respectively, at a flow rate of Q_{nom} . In addition, please quote the maximum inlet pressure p_1 max. to be encountered. This data is needed to make sure the actuator is able to provide a close-tight function within all the specified modes of operation.

9.3. Ordering chart accessories

Description	Article no.
büS cable extension M12 0.1 m	772492 
büS cable extension M12 0.2 m	772402 
büS cable extension M12 0.5 m	772403 
büS cable extension M12 1 m	772404 
büS cable extension M12 3 m	772405 
Power supply Type 1573 for rail mounting, 100 ... 240 V AC / 24 V DC, 1.25 A, NEC Class 2 (UL 1310)	772438 
Power supply Type 1573 for rail mounting, 100 ... 240 V AC / 24 V DC, 1 A, NEC Class 2 (UL 1310)	772361 
Power supply Type 1573 for rail mounting, 100 ... 240 V AC / 24 V DC, 2 A, NEC Class 2 (UL 1310)	772362 
Power supply Type 1573 for rail mounting, 100 ... 240 V AC / 24 V DC, 4 A	772363 
Connector M12, female, straight ^{1.)}	772416 
Connector M12, male, straight ^{1.)}	772417 
Connector M12, female, angled ^{1.)}	772418 
Connector M12, male, angled ^{1.)}	772419 
Y-junction	772420 
Y-junction for connecting two separately powered segments of a büS network	772421 
Termination resistor 120 Ohm M12 male	772424 
Termination resistor 120 Ohm M12 female	772425 
büS-Stick Set 1 (incl.. cable (M12 and Micro-USB) Stick with integrated terminating resistor, power supply and software)	772426 
büS-Stick Set 2 (incl.. cable (M12 and Micro-USB) Stick with integrated terminating resistor)	772551 
SIM card	on request
LabVIEW device driver	on request
EDS-File (CANopen)	Download from www.burkert.com
Software Bürkert Communicator	Download from www.burkert.com

1.) It is possible that the M12 connectors cannot be used together on the same side of a Y-junction. If that is the case, please use a prefabricated cable which uses typically a thinner connector.

Bürkert – Close to You

For up-to-date addresses
please visit us at
www.burkert.com.

DTS 1000236628 EN Version: O Status: RL (released | freigegeben | validé) printed: 31.01.2019



Product Enquiry Form - Mass Flow Controller

Thank you for your interest in our products! In order to provide you with optimum advice, please fill out the following form and send it to your **Bürkert representative** or e-mail address: info@burkert.com. All information submitted will of course be kept strictly confidential.

Please fill in the **required fields!** *

*Note: The interactive functions of this PDF may be restricted depending on the PDF reader used.

Personal Information			
Company		Contact person	
Customer no.		Department	
Street		Postcode / Town	
Telephone no.		E-Mail	

Delivery			
MFC Application	MFM Application	Quantity	Required delivery date

Medium data			
Type of gas or gas mixture			
Medium's temperature		°C /	°F
Ambient temperature		°C /	°F

Fluidic data					
Flow range Q_{Nom}		Min.	Max.	unit	
Inlet pressure at Q_{Nom} ^{1.)}	$p_1 =$	barg ^{2.)}			
Outlet pressure at Q_{Nom}	$p_2 =$	barg ^{2.)}			
Max. inlet pressure	$p_{1max} =$	barg ^{2.)}			
Port connection	Compression fitting		Subbase		Vacuum fitting
	Thread:	G (DIN ISO 228/1)	NPT (ANSI B1.2)		
		1/4" 3/8"	1/2"	3/4"	1"
Installation	horizontal, valve upright horizontal, valve horizontal			vertical, upwards flow vertical, downward flow ^{3.)}	

1.) Corresponds to the calibration pressure

2.) Please indicate all pressure values as overpressure to atmospheric pressure [barg] (g = relative pressure)

3.) Possible reduction of the setting range to 1:10 for a vertical downwards flow

Material specifications		
Body	Aluminium	Stainless steel
Seals	FKM	EPDM

Electrical data				
IP protection	Yes (IP65)		No (IP20 or better)	
Control / Communication Note: Please choose one of the following options!	Normsignal	CANopen/büS	PROFIBUS DP	Industrial Ethernet
	0 ... 5 V	CANopen		PROFINET
	0 ... 10 V	büS		Ethernet IP
	0 ... 20 mA			Modbus TCP
4 ... 20 mA		EtherCAT		
Connection Note: Please choose one of the following options!	D Sub socket	M12 socket	D Sub socket	(RJ45 always standard)
	Terminal block	Terminal block	M12 socket	

Approvals / Conformities
UL
ATEX II Cat. 3 G/D, IECEx
USP Class VI conformity
FDA conformity
EG 1935/2004 conformity

Additional Requirements / Comment