

## AirLINE - The valve island optimized for process automation



- Compact design
- Diagnosis in cleartext at the LC-Display
- Process reliability with pneumatics functions
- Optimized for installation at the cabinet bottom

Type 8652 can be combined with...



**Type 8905**  
Online Analysis System



**Type ME43**  
Feldbus-Gateway



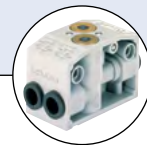
**Type 8098**  
FLOWave SAW-Flowmeter



**Type 2012**  
2/2 way globe valve



**Type 8695**  
Control head



**Type 0498**  
Double pilot controlled check valve

The pneumatic valve island type 8652 AirLINE is especially developed for applications in process automation. New diagnosis functions can be visualized at the LC-Display. Both cleartext as well as symbols show information which makes easy to relate the shown diagnosis. This saves time during installation and commissioning.

Furthermore the diagnosis information is also available in the PLC which enables a fast overview about the plant status. The hardware is optimized for installation at the cabinet bottom. Of course to fix the AirLINE at DIN rail is possible as well.

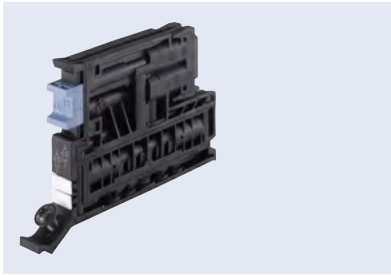
Besides important pneumatics functions ensure increased process safety. For instance the checkvalves make sure not to get an unplanned actuation due to pressure peaks.

Technical data	
Width/station	11 mm
Circuit functions	C 2 × 3/2 way (NC/NC) D 2 × 3/2 way (NO/NO) H (5/2 way) Z (5/2 way) impulse / bistable L (5/3 way) Mid-position locked blind plate
Flow rate	310 l/min <sup>1)</sup>
Pressure range	Vac. up to 10 bar
Outlet port	Plug-in coupling diameter 6 mm, D <sup>1</sup> / <sub>4</sub> "
Connection air supply	Plug-in coupling diameter 10 mm, D <sup>3</sup> / <sub>8</sub> "
Max. number of modules	6
Number of valve positions per module	4 valve positions (max. 8 valve functions)
Max. number valve functions	48
Communication interfaces	PROFIBUS DP Industrial Ethernet (PROFINET I/O, EtherNet IP, Modbus TCP, EtherCAT) CANopen / büS <sup>2)</sup> (when networking with Bürkert devices)
Electrical modules	Type ME43
Operating voltage	24 V DC
Voltage tolerance	± 10 %
Nominal power per valve	0.7 W (0.175 W after power reduction)
Rated current per valve	29 mA (10 mA after power reduction)
Temperatures	
Ambient	- 10...+ 55 °C
Storage	- 10...+ 60 °C
Protection class	IP20

<sup>1)</sup> Maximum flow depending on the valve function – see chart on page 4.

<sup>2)</sup> For commissioning, the Bürkert software "Communicator" as well as the corresponding USB-büS Interface Set 1 with Article no. 772426 is required.

**Further technical data**



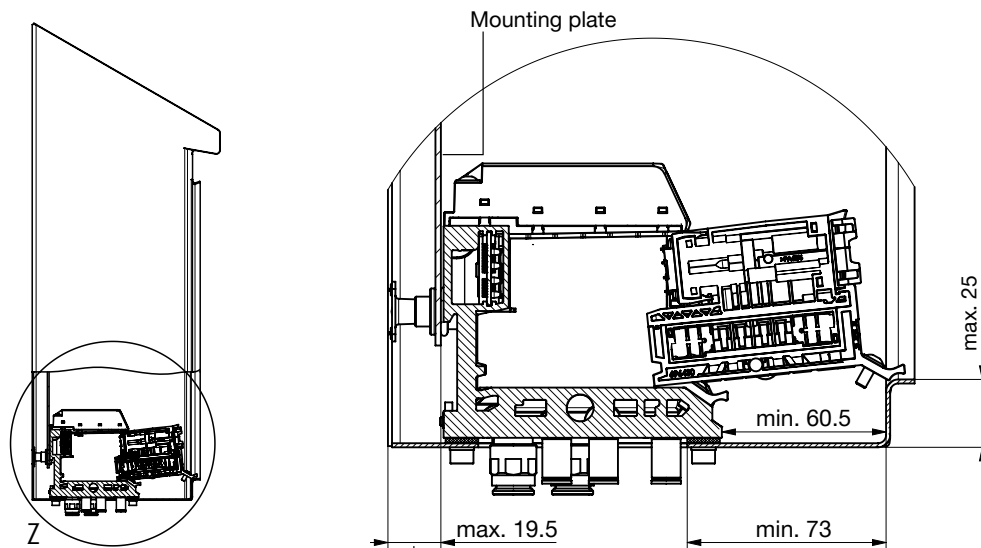
At the heart of AirLINE, Type 8652 are the pilot valves of Type 6534. They consist of a pilot valve and a booster valve. The 6164 pilot valve is the perfect base for the pilot valve 6534 with its above-average service life.

The booster is designed as a slide valve, ensuring maximum flexibility and reliability. The combination of the components allows the switching of high pressures with low power consumption and with short switching times. The pilot control valves are equipped with a manual operation as standard.

Specification	
<b>Body material</b>	PA (Polyamide)
<b>Seam materials</b>	NBR and PUR
<b>Medium</b>	compressed air, oil free, dry; neutral gases (5 µm Filter recommended)
<b>Port connection</b>	Flange for MP15
<b>Connection air supply</b>	Flange for MP15
<b>Manual override available / lockable</b>	Yes / yes
<b>Installation</b>	As required
<b>Mounting</b>	1 screw M4 x 10
<b>Flow rate: <math>Q_{Nn}</math> value air [l/min]:</b>	Measured at +20 °C, 6 bar pressure at valve inlet and 1 bar pressure difference
<b>Pressure values [bar]:</b>	Overpressure with respect to atmospheric pressure
<b>Response times [ms]:</b>	Measured according to ISO 12238

**Important: Installation situation of the valve terminal in the control cabinet**

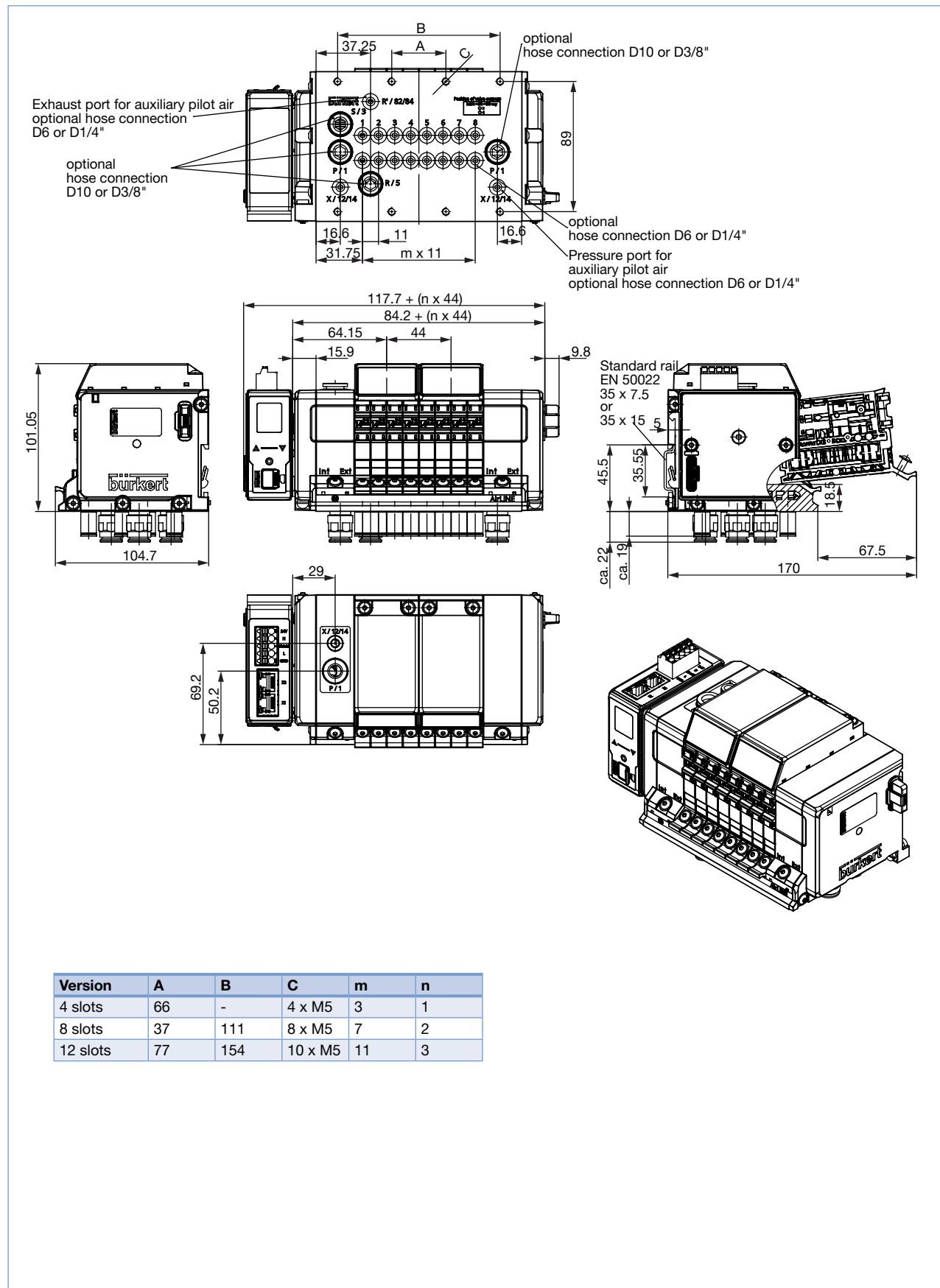
To be able to use the hot-swap function, a minimum distance from the front edge of the control cabinet must be taken into account when mounting the valve terminal in the control cabinet. Please also refer to the detailed description in chapter 7 of the operating instructions.



Distance from the control cabinet rear wall to the mounting plate

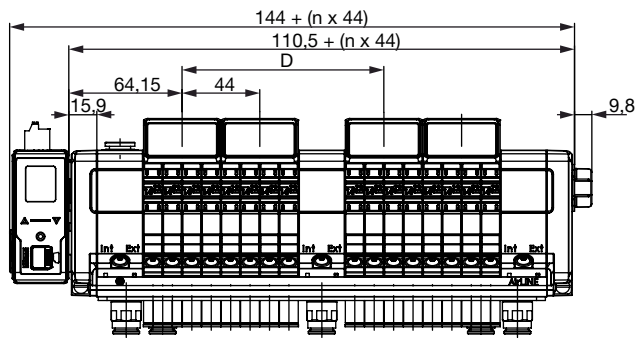
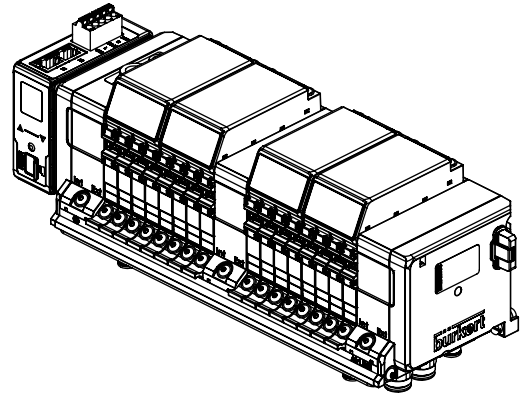
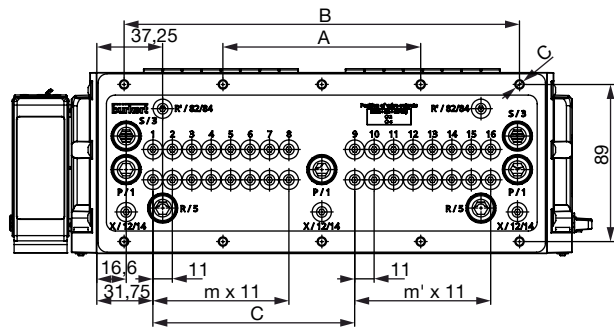
**More info.**

**Dimensions [mm]**



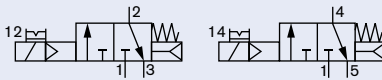


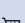
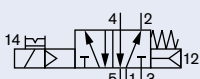
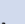
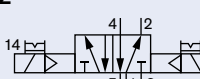
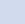

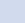

Version	A	B	C	m	n
4 slots	66	-	4 x M5	3	1
8 slots	37	111	8 x M5	7	2
12 slots	77	154	10 x M5	11	3

**Dimensions [mm], continued**



Version	A	B	C	D	m	m'	n
16 slots	112	224	10 x M5	114.3	7	7	4
20 slots	134	268	10 x M5	158.3	11	7	5
24 slots	156	312	10 x M5	158.3	11	11	6

**Ordering chart valves - standard version**


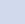
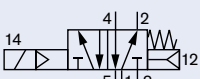
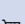
Circuit function	Orifice [mm]	Q <sub>Nn</sub> value <sup>1)</sup> air [l/min]	Pressure range [bar]	Response times		Voltage/Frequency [V/Hz]	Article no. <sup>2)</sup> incl. screw
				Opening [ms]	Closing [ms]		
<b>C</b>  2 x 3/2 way servo-controlled solenoid valve, normally closed, with manual override	4	270 l/min	Vac. 10 <sup>3)</sup> 3...10	15	15	24 V DC	301374 
<b>D</b>  2 x 3/2 way servo-controlled solenoid valve, normally open, with manual override	4	310 l/min	Vac. 10 <sup>3)</sup> 3...10	15	15	24 V DC	301375 
<b>H</b>  5/2 way servo-controlled solenoid valve, with manual override	4	290 l/min	Vac. 10 <sup>3)</sup> 3...10	20	25	24 V DC	301376 
<b>Z</b>  5/2 way solenoid valve, impulse version with 2 coils and manual override	4	290 l/min	Vac. 10 <sup>3)</sup> 3...10	20	25	24 V DC	301377 
<b>L</b>  5/3 way solenoid valve, in middle position all ports locked, with manual override	4	275 l/min	Vac. 10 <sup>3)</sup> 3...10	15	15	24 V DC	301380 
Blind plate	-	-	-	-	-	-	335779 

<sup>1)</sup> With HotSwap function, ca. 3 % flow reduction

<sup>2)</sup> The valves are components or spare parts for the valve island 8652. They are exclusively meant to be used with the valve island type 8652.

<sup>3)</sup> Separate control auxiliary air min. 3 bar, please refer to the control pressure table in the instruction manual.

**Ordering chart valves - second connection for shutdown**

Circuit function	Orifice [mm]	Q <sub>Nn</sub> value <sup>1)</sup> air [l/min]	Pressure range [bar]	Response times		Voltage/Frequency [V/Hz]	Article no. <sup>2)</sup> incl. screw
				Opening [ms]	Closing [ms]		
<b>C</b>  2 x 3/2 way servo-controlled solenoid valve, normally closed	4	270 l/min	Vac. 10 <sup>3)</sup> 3...10	15	15	24 V DC	338802 
<b>H</b>  5/2 way servo-controlled solenoid valve	4	290 l/min	Vac. 10 <sup>3)</sup> 3...10	20	25	24 V DC	338805 

<sup>1)</sup> With HotSwap function, ca. 3 % flow reduction

<sup>2)</sup> The valves are components or spare parts for the valve island 8652. They are exclusively meant to be used with the valve island type 8652.

<sup>3)</sup> Separate control auxiliary air min. 3 bar, please refer to the control pressure table in the instruction manual.

To find your nearest Bürkert facility, click on the orange box →

[www.burkert.com](http://www.burkert.com)

In case of special application conditions, please consult for advice.

Subject to alteration  
© Christian Bürkert GmbH & Co. KG

1811/8\_EU-en\_00895330