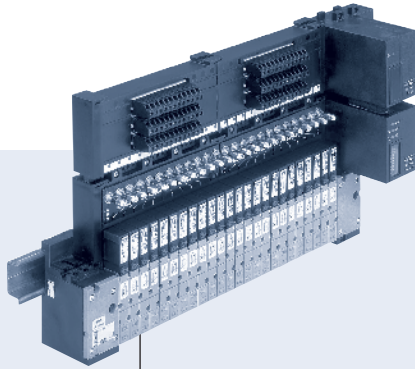
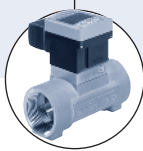


Modular pneumatic valve unit

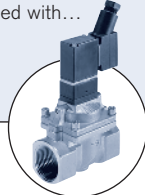


- Compact design
- Modular configuration
- High flexibility
- Simple exchange of valves (with option "P-shut-off"- also possible during operation)

Type 8640 can be combined with...



Type 8032
Switch



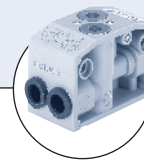
Type 6212
Solenoid valve



Type 2012
Process valve





Type 1062
Position feedback





Type 0498
Double pilot controlled check valve

The 8640 valve unit system is designed to solve diverse and complex control problems due to its systematic modular construction and combination of pneumatic and electrical interfaces. By putting together a row of pneumatic modules with different numbers of valves, 2 to 24 valve functionalities may be realized on one valve unit.

Electrical connectivity is achieved by either fieldbus interfaces, common connection (parallel connection technique) or multipole interfaces. The valves allow different applications to be covered. Bodies and connection modules are made of high-quality plastic (polyamide) and are easy to assemble by means of the built-in snap connectors.

Specification	Solenoid valve Type 6524/6525 	Solenoid valve Type 6526/6527 
Mounting dimensions	11 mm	16.5 mm
Ambient temperature	14°F to 131°F (-10°C to +55°C)	14°F to 131°F (-10°C to +55°C)
Storage temperature	-4°F to 140°F (-20°C to +60°C)	-4°F to 140°F (-20°C to +60°C)
Pressure range	Vac. - 145 PSI	Vac. - 145 PSI
Operating voltage	24 V/DC	24 V/DC
Voltage tolerance	±10%	±10%
Residual ripple	1 Vss (with fieldbus)	1 Vss (with fieldbus)
Degree of protection	3 according to VDE 0580	3 according to VDE 0580
Duty cycle	Continuous operation (100% ED)	Continuous operation (100% ED)
Circuit functions	C and D (3/2-way), H (5/2-way)	C and D (3/2-way), H (5/2-way)
Flow rate	300 l/min	700 l/min
Rated power	1 W	2 W, 1 W
Rated current per valve	42 mA	86 mA
No. of valve functionalities per unit	2-24	2-24
Pneumatic module	Type MP11, 2- and 8-valves	Type MP12, 2-, 3- and 4-valves
Electric module	6-, 9- and 12-valves	4-, 8- and 16-valves
Feedback	Max. 32	Max. 32
Degree of protection	IP 20 with terminals	IP 20 with terminals IP 54 with circular connector

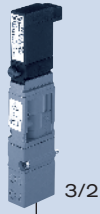
to be continued on page 2

Specification	Solenoid valve Type 6524/6525 	Solenoid valve Type 6526/6527 
Electric Connection	<ul style="list-style-type: none"> ▪ Common connection (parallel connection) ▪ Multipole (D-Sub, 25 pole) ▪ PROFIBUS-DP ▪ INTERBUS ▪ DEVICE NET ▪ SELECAN ▪ ASI ▪ CANopen ▪ Internal bus extension by Profibus DP (RIO) ▪ more on request 	
Total current with common connection with multipole connection with fieldbus connection	<p>as a function of the electrical connection technique</p> <p>max. 3A (sum of current through individual valves)</p> <p>max. 3A (sum of current through individual valves) + max. 3A (repeater)</p> <p>$I_{TOTAL} = I_{BASE} + (n \times I_{VALVE}) + (m \times I_{REPEATER})$</p> <p>n=quantity of valves, m=quantity of repeaters, I_{VALVE}= rated current of each valve</p> <p>I_{REPEATER}= rated current of each repeater, m x I_{REPEATER}=max. 650 mA</p> <p>I_{BASE}=</p> <ul style="list-style-type: none"> 200 mA spec. base current PROFIBUS DP 300 mA spec. base current INTERBUS 200 mA spec. base current DEVICE NET 200 mA spec. base current SELECAN 	

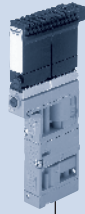
The 8640 valve island system

Solenoid valves

6524/6525



3/2



2 x 3/2



5/2

6526/6527

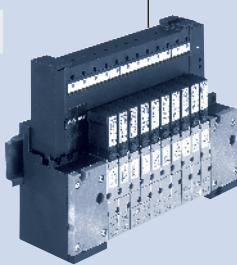


3/2



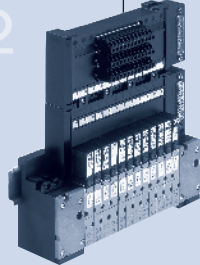
5/2

1



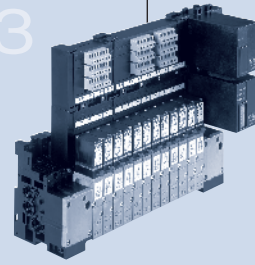
Common electrical connection

2



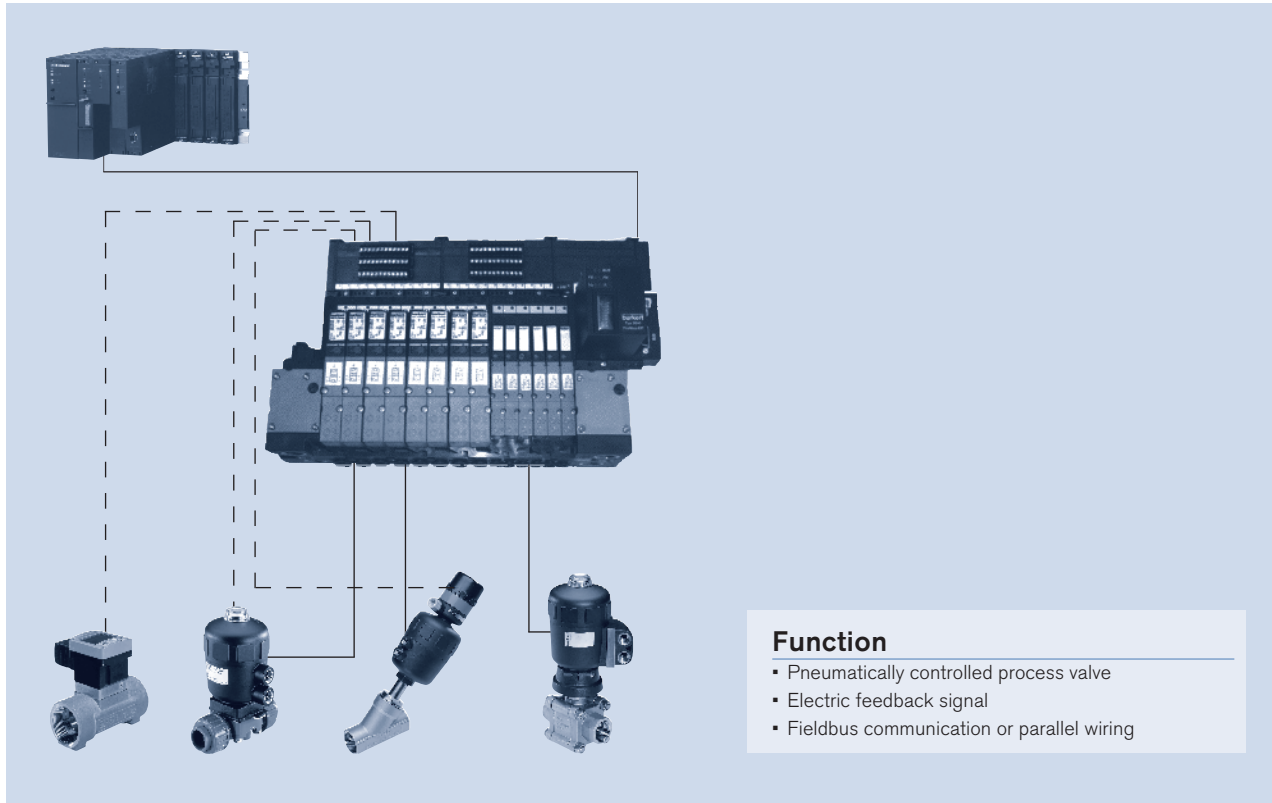
Multipole electrical connection

3



Fieldbus

Application example



Function

- Pneumatically controlled process valve
- Electric feedback signal
- Fieldbus communication or parallel wiring

Configuration software

VALVE ISLAND		VALVE BLOCK	
PROTECTION CLASS	IP20	WPC CONNECTION	PRO-DUS-IP-VL-1-20-12-MU
VALVE TYPE	200 L/WH VALVE	FAV/AUTOM. SWITCH	NO
MECHANIC CONNECTION	1/2" BSP	ELECTRONICS	WPC-PRO-DUS-IP-VL-1-20-12-MU
CONNECTOR MODEL	C-12	SUB-PRO-DUS-IP-VL-1-20-12-MU	CONTROL CABINET*
SIGNAL POSITION	US	VALVE POSITIONS	12
CONTROL VALVE	200 L/WH VALVE	QTY. LOG. INPUTS	12
REVERSE OFF	NO	VALVES	12
PNEUMATICS		QTY. LOG. OUTPUTS	12

The 8640 valve island system is a system of modular design which can be built up to specific requirements. Bürkert offers a software program, the simple, precise generation of the required configuration of each 8640 system.

The Bürkert Configurator defines

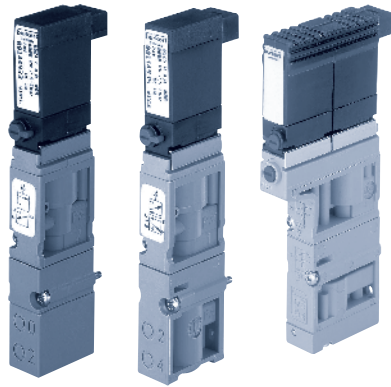
- Number and types of valves
- Type of (intermediate) supplies
- Combination of Fieldbus, pilot valves and I/O modules

The results supplied by the Configurator

- Bill of materials
- Illustration
- Drawings

For more information consult individual datasheets, downloadable at www.burkert.com

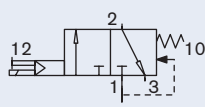
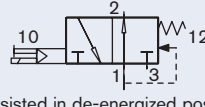
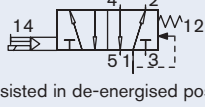
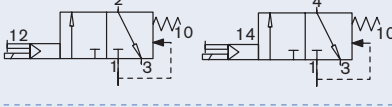
11mm width per station: Multi-way solenoid valve Types 6524 and 6525



The solenoid valve Types 6524 and 6525 consist of a pneumatic valve body fitted with Type 6104 rocker pilot valve. The rocker principle allows switching of high pressure at low power consumption and fast response times. The pilot valves are equipped with manual override as a standard. The 2 x 3/2-way valve version is the combination of two pilot rocker solenoid valves type 6104 and a pneumatic seat valve.

Specification	3/2-way valve	2 x 3/2-way valve
Body material	PA (polyamide)	
Seal material	FPM, NBR	
Media	Lubricated and non-lubricated dry air, neutral gases (5 µm-Filter)	
Port connection	Flange for MP11	
Manual override	As a standard feature	
Voltage	24 V DC	
Nominal power	1 W	2 x 1 W with reduction of power consumption
Duty cycle	Continuous operation (100% ED)	
Elec. connection on valve	Rectangular plug 2-pole with raster 5.08 mm	Rectangular plug 3-pole with raster 2.54 mm
Mounting	With 2 screws M2 x 20	With 2 screws M2 x 28
Installation position	As required, preferably with pilot valve upright	
Flow rate: QNn value air [l/min]	Measured at 68°F (+20°C), 87 PSI pressure at valve inlet and 14.5 PSI pressure difference	
Pressure ranges [bar]	Measured as overpressure to the atmospheric pressure	
Response times [ms]	Measured according to ISO 12238	

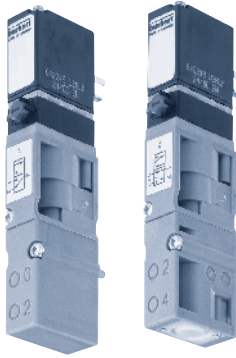
Order chart for valves

Circuit function	Orifice [mm]	C _v	QNn value air [l/min]	Pressure range [PSI]	Response times			Item no.
					Opening [ms]	Closing [ms]	Voltage/Frequency [V/Hz]	
Circuit function C  3/2-way valve, servo-assisted in de-energized position port 2 to atmosphere	4	.28	300	Vac. - 101.5	15	20	24 V DC	153 958
				14.5 - 101.5 ¹⁾	15	20	24 V DC	150 333
				36.25 - 101.5	12	20	24 V DC	144 933
				36.25 - 145	15	28	24 V DC	148 227
Circuit function D  3/2-way valve, servo-assisted in de-energized position port 2 pressurized	4	.28	300	14.5 - 101.5 ¹⁾	12	20	24 V DC	150 334
				36.25 - 101.5	12	20	24 V DC	144 934
				36.25 - 145	15	28	24 V DC	152 139
Circuit function H  5/2-way valve, servo-assisted in de-energized position port 1 connected to port 2, port 4 exhausted	4	.28	300	14.5 - 101.5 ¹⁾	15	20	24 V DC	150 335
				36.25 - 101.5	15	20	24 V DC	144 935
				36.25 - 145	20	28	24 V DC	150 610
Circuit function C  2 x 3/2-way valve, servo-assisted in de-energized position port 2/4 to atmosphere	4	.28	300	14.5 - 101.5 ¹⁾	12	20	24 V DC	170 269 ²⁾
				36.25 - 101.5	12	20	24 V DC	170 268 ²⁾

¹⁾ Version with auxiliary air.

²⁾ Version with integrated reduction of power consumption

16.5mm width per station: Multi-way for solenoid valve Types 6526 and 6527



The solenoid valve Types 6526 and 6527 consist of a pneumatic valve body fitted with Type 6106 rocker pilot valve. The rocker principle allows switching of high pressure at low power consumption and fast response times. The pilot valves are equipped with manual override as a standard.

Specification	
Body material	PA (polyamide)
Seal material	NBR
Media	Lubricated and non-lubricated dry air, neutral gases (10 µm filter)
Port connection	Flange for MP12
Manual override	Standard
Voltage	24 V DC
Nominal power	2 W, 1W
Duty cycle	Continuous operation (100% ED)
Elec. Connection on valve	Tag connector acc. to DIN EN 175301-803 (previously DIN 43650) Form C
Mounting	With 2 screws M3x30
Installation position	As required, preferably with pilot valve upright
Flow rate: QNn value air [l/min]	Measured at 68°F (+20°C), 87 PSI pressure at valve inlet and 14.5 PSI pressure difference
Pressure ranges [bar]	Measured as overpressure to the atmospheric pressure
Response times [ms]	Measured acc. to ISO 12238

Order chart for valves

Circuit functions	Orifice [mm]	C _v	QNn value air [l/min]	Pressure range [PSI]	Nominal power [W]	Response times		Voltage/Frequency [V/Hz]	Item no.
						Opening [ms]	Closing [ms] ³⁾		
C 3/2-way valve, servo-assisted in de-energized position port 2 to atmosphere	6	.64	700	14.5 - 145 ¹⁾	2	20	12	24 V DC	156 842
				14.5 - 145 ¹⁾	2	20	12	24 V DC	163 028 ²⁾
				29 - 145	2	20	12	24 V DC	156 318
				29 - 145	2	20	12	24 V DC	158 944 ²⁾
				29 - 116	1	20	17	24 V DC	156 840
D 3/2-way valve, servo-assisted in de-energized position port 2 pressurized	6	.64	700	14.5 - 145 ¹⁾	2	12	20	24 V DC	157 672
				14.5 - 145 ¹⁾	2	20	12	24 V DC	163 029 ²⁾
				29 - 145	2	12	20	24 V DC	156 320
				29 - 145	2	20	12	24 V DC	158 946 ²⁾
				29 - 116	1	17	20	24 V DC	156 841
H 5/2-way valve, servo-assisted in de-energized position port 1 connected to port 2, port 4 exhausted	6	.64	700	14.5 - 145 ¹⁾	2	20	12	24 V DC	156 828
				14.5 - 145 ¹⁾	2	20	12	24 V DC	163 030 ²⁾
				29 - 145	2	20	12	24 V DC	156 337
				29 - 145	2	20	12	24 V DC	158 942 ²⁾
				29 - 116	1	20	17	24 V DC	156 827
29 - 116	1	20	12	24 V DC	158 943 ²⁾				

¹⁾ version with auxiliary air

²⁾ electric connection with manual override.

³⁾ closing time approx. 5 ms higher when used together with valve unit

More valve options

Covering plates

When all the valve connections in a basic valve unit module are not used, then these connections should be covered by the appropriate covering plate for full efficiency.

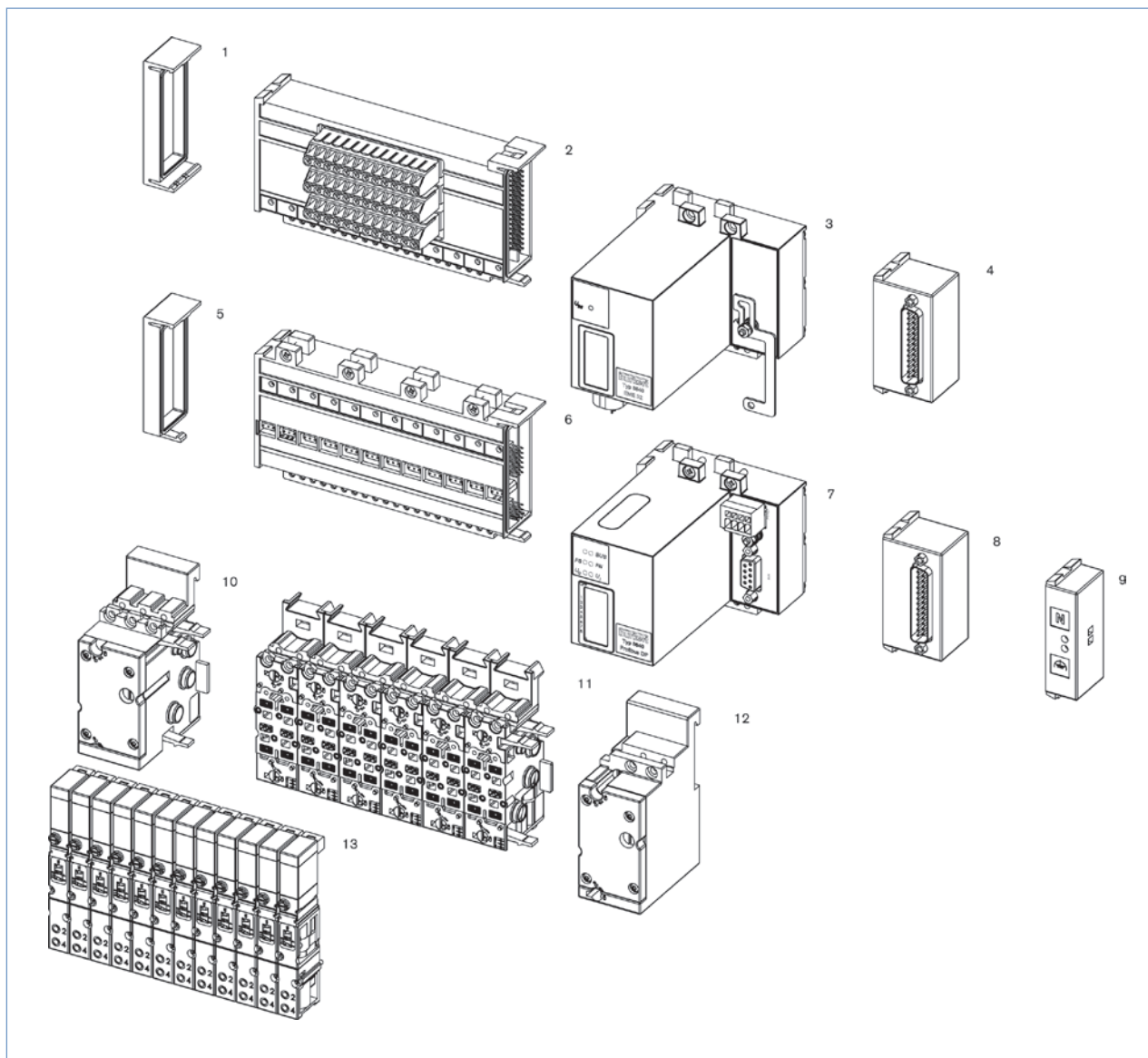
Covering plates	Item no.
Covering plate for solenoid valve Type 6524/6525	650 373
Covering plate for solenoid valve Type 6524 2 x 3/2-way valve	661 092
Covering plate for solenoid valve Type 6526/6527	653 765

Exhaust plates

An exhaust plate is mounted on the pneumatic module of the valve unit and offers an additional possibility to remove compressed air from the system.

Exhaust plates	Item no.
Exhaust air plate complete Type 6524/6525	655 166
Exhaust air plate complete Type 6526/6527	653 697

Valve unit configuration



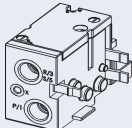
Basic module choice, for further modules see the following pages

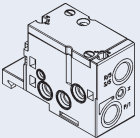
- | | |
|--|--|
| 1. Electrical end module left | 2. Terminal module for electronic inputs |
| 3. Extension module for electrical inputs | 4. Multipole repeater inputs (initiators) |
| 5. Electrical end module left | 6. Basic electrical module standard |
| 7. Fieldbus module | 8. Multipole valve outputs |
| 9. Common connection module | 10. Pneumatic connection module left, Type MP11 |
| 11. Basic pneumatic modules, Type MP11 for 12 valves | 12. Pneumatic connection module right, Type MP11 |
| 13. Valves of Type 6525 (5/2-way) | |

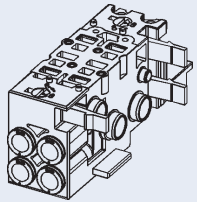
Module description

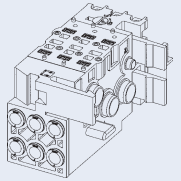
Pneumatic module Type MP11 and MP12, mounting dimensions 11 mm and 16.5 mm

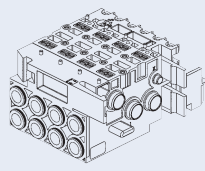
	
6524/6525	6526/6527
Mounting dimensions 11mm	Mounting dimensions 16.5mm

	Left connector module	
	G 1/4	G 3/8
	NPT 1/4	NPT 3/8
	Push-in Ø10 mm	–

Right connector module		
G 1/4	G 3/8	
NPT 1/4	NPT 3/8	
Push-in Ø10 mm	–	

	Basic module, 2 valves wide	
	M5 and M7	G 1/8
	Push-in Ø 6 mm	NPT 1/8
	Push-in Ø 1/4"	Push-in Ø8 mm
	Push-in Ø 5/32" / Ø 4 mm	Push-in Ø 5/16"
	P shut-off option	–
	Check valve in R&S optional	Check valve in R&S optional
	Basic module, 2 valves wide with 2 x 3/2-way valve	
	M5 and M7	–
	Push-in Ø 6 mm	–
Push-in Ø 1/4"	–	
Push-in Ø 5/32" / Ø 4 mm	–	
Check valve in R&S optional	–	



Basic module, 3 valves wide		
for mounting 11 mm valve (used when 11 mm valves are combined with 16,5 mm valves on one valve island)		
–	M5 and M7	
–	Push-in Ø 6 mm	
–	Push-in Ø 1/4"	
–	Push-in Ø 5/32" / Ø 4 mm	

	Basic module, 4 valves wide	
	–	G 1/8
	–	NPT 1/8
	–	Push-in Ø 8 mm
	–	Push-in Ø 5/16"
–	Check valve in R&S optional	

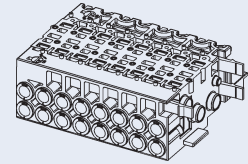
DTS 1000082387 EN Version: B Status: RL (released | freigegeben | validé) printed: 22.09.2017

Module description




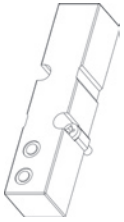
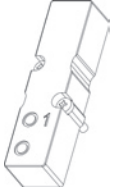
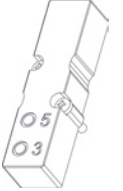

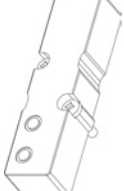
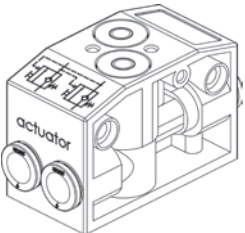
Pneumatic module Type MP11 and MP12, mounting dimensions 11 mm and 16.5 mm

 6524/6525 Mounting dimensions 11mm	 6526/6527 Mounting dimensions 16.5mm
---	---

Basic module, 8 valves wide	
M5 and M7	–
Push-in Ø 6 mm	–
Push-in Ø 1/4"	–
Push-in Ø 5/32" / Ø 4	–
P shut-off option	–
Check valve in R&S optional	–
Basic module, 8 valves wide with 2 x 3/2-way valve	
M5 and M7	–
Push-in Ø 6 mm	–
Push-in Ø 1/4"	–
Push-in Ø 5/32" / Ø 4	–
Check valve in R&S optional	–



Additional pneumatic accessories

<p>MP11</p> <div style="text-align: center;">  Intermediate supply plate </div> <div style="text-align: center;">  Separate exhaust plate </div> <div style="text-align: center;">  Bulkhead </div> <div style="text-align: center;">  Covering plate </div>
<p>MP12</p> <div style="text-align: center;">  Intermediate supply plate </div> <div style="text-align: center;">  Separate exhaust plate </div> <div style="text-align: center;">  Bulkhead </div> <div style="text-align: center;">  Covering plate </div>
<p>Type 0498</p> <div style="text-align: center;">  Double pilot controlled check valve </div>

DTS 1000082387 EN Version: B Status: RL (released | freigegeben | validé) printed: 22.09.2017

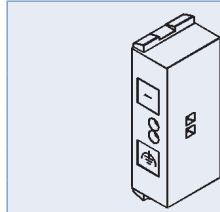
Module description

Common connection and multipole modules for individual connection of valves and repeaters

6524/6525
Mounting dimension 11mm



6526/6527
Mounting dimension 16.5mm

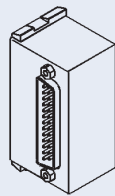


Connection via individual stranded wires

- Looped-through ground potential
- Max. 24 valves
- IP20 degree of protection
- Screw terminal

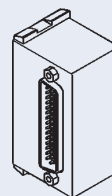
Multipole module

Valve outputs



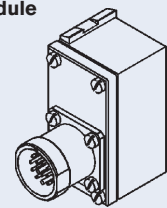
Multipole module

Repeater inputs
(initiators)



Multipole module

Valve outputs

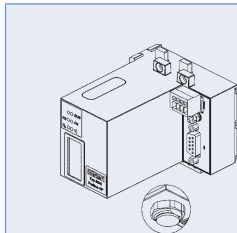


Fieldbus modules

6524/6525
Mounting dimension 11mm



6526/6527
Mounting dimension 16.5mm

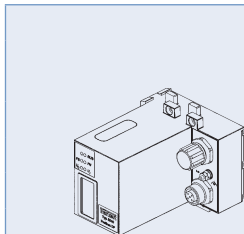
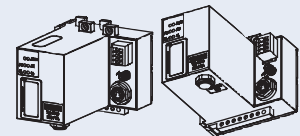


Fieldbus PROFIBUS-DP, IP20 degree of protection

- Max. 24 valves
- Max. 32 repeaters (in connection with EME module)
- Transmission rates 9.6; 19.2; 93.75; 187.5; 500 kBaud; 1.5; 3; 6; 12 MBaud
- Power supply with rectangular plug (4-pole male)
- Bus connection D-SUB (9-pole female)
- Option with RIO-connection M8 (4-pole)

Internal bus extension RIO-VA module, IP20 degree of protection

- Max. 24 valves
- Max. 32 repeaters (in connection with EME module)
- Plug



Fieldbus PROFIBUS-DP IP54 degree of protection

on connection with the basic electrical module the complete system meets the degree of protection IP54

- Max. 24 valves
- Max. 32 repeaters (in connection with EME module)
- Transmission rates 9.6; 19.2; 93.75; 187.5; 500 kBaud; 1.5; 3; 6; 12 MBaud
- Power supply with M12 circular plug (4-pole male)
- Bus connection M12 (5-pole female)
- For a trouble-free assembly use the following Y-piece (Item No 902098)

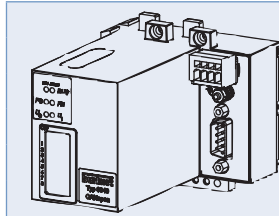
Module description

Fieldbus modules

6524/6525
Mounting dimension 11mm



6526/6527
Mounting dimension 16.5mm

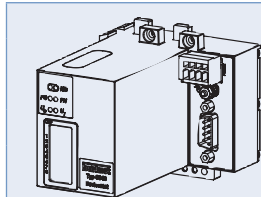
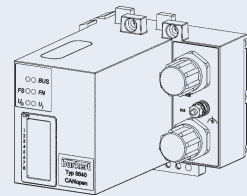


Fieldbus CANopen, IP20 degree of protection

Max. 24 valves,
Max. 32 repeaters (in connection with EME module)
Transmission rates 20, 125, 250 or 500 kBaud
Power supply with rectangular plug (4-pole)
Bus connection D-SUB (9-pole male)

Fieldbus CANopen, IP54 degree of protection on connection with the basic electrical module the complete system meets the degree of protection IP54

Max. 24 valves
Max. 32 repeaters (in connection with EME module)
Transmission rates 20, 125, 250 or 500 kBaud
Power supply with M12 circular plug (4-pole male)
Bus connection M12 (5-pole male)
For a trouble-free assembly use the following Y-piece (Item No 788643)

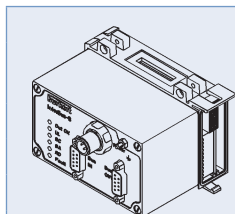
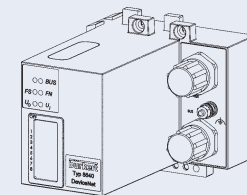


Fieldbus Device Net, IP20 degree of protection

Max. 24 valves
Max. 32 repeaters (in connection with EME module)
Transmission rates 125, 250 or 500 kBaud
Power supply with rectangular plug (4-pole)
Bus connection D-Sub (9-pole male)

Fieldbus Device Net, IP54 degree of protection on connection with the basic electrical module the complete system meets the degree of protection IP54

Max. 24 valve
Max. 32 repeaters (in connection with EME module)
Transmission rates 125, 250 or 500 kBaud
Power supply with M12 circular plug (4-pole male)
Bus connection M12 (5-pole male)
For a trouble-free assembly use the following Y-piece (Item No 788643)



Fieldbus InterBus S, IP54 degree of protection

on connection with the basic electrical module the complete system meets the degree of protection IP54

Max. 24 valves
Max. 32 repeaters (in connection with EME module)
Transmission rates 500 kBaud
Power supply with M12 circular plug (4-pole)
Bus connection 2 x D-SUB (9-pole plug & sleeve)

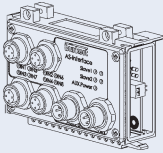
Module description

Fieldbus modules

6524/6525
Mounting dimension 11mm



6526/6527
Mounting dimension 16.5mm



Fieldbus AS Interface 8IN/8OUT, IP54 degree of protection

on connection with the basic electrical module the complete system meets the degree of protection IP54

Max. 4 (see drawing) or 8 valves and 8 repeaters

5 ms cycle time (determined by control)

Power supply with M12 circular plug (4-pole)

Bus connection with M12 circular plug (4-pole)

Fieldbus AS Interface 4IN/4OUT, IP54 degree of protection

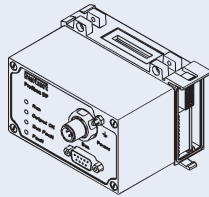
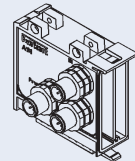
on connection with the basic electrical module the complete system meets the degree of protection IP54

Max. 4 (see drawing) or 8 valves and 8 repeaters

5 ms cycle time (determined by control)

Power supply with M12 circular plug (4-pole)

Bus connection with M12 circular plug (4-pole)



Fieldbus SELECAN, IP54 degree of protection

on connection with the basic electrical module the complete system meets the degree of protection IP54

Max. 24 valves

Max. 32 repeaters (in connection with EME module)

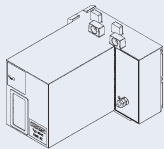
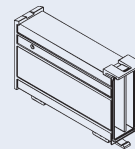
Transmission rates 20, 100, 500 or 1000 kBaud

Power supply with M12 circular plug (4-pole)

Bus connection D-SUB (9-pole plug & sleeve)

EME module (extension module inputs, old version), IP54 degree of protection

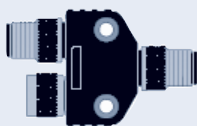
Module for connection of repeater inputs in connection with fieldbus modules



EME module (extension module inputs, new version), IP54 degree of protection

Module for connection of repeater inputs in connection with fieldbus modules

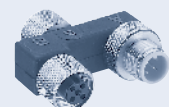
Further electrical accessories



Bus Y-piece for PROFIBUS


you must use at least one preconverted

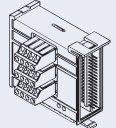
Bus Y-piece for CANopen and DeviceNet



Module description

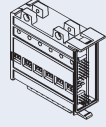
Modules with connection points for repeaters

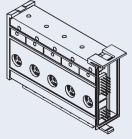
 6524/6525 Mounting dimension 11mm	 6526/6527 Mounting dimension 16.5mm
--	--

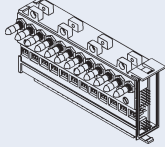
	Module with plugged connection for repeaters/initiators	
	6, 12 or 24 input	8 or 16 input
	IP20 degree of protection	IP20 degree of protection
	Pluggable screw terminals	Pluggable screw terminals

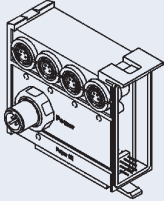
Modules with integrated cable plug for the electrical connection of the valves

 6524/6525 Mounting dimension 11mm	 6526/6527 Mounting dimension 16.5mm
--	--

	Basic electric module, standard version	
	6, 9 or 12 valve stations	4, 6 or 8 valve stations
	IP20 degree of protection	IP20 degree of protection
	Basic electric module with 2 x 3/2-way valve, standard version	
	6 or 12 valve stations	–
	IP20 degree of protection	–

Basic electrical module, Common connection		
6 or 12 valve stations	4 or 8 valve stations	
IP20 degree of protection	IP20 degree of protection	
Wire connection via screw terminals	Wire connection via screw terminals	
Electrical module with 2 x 3/2-way valve, common connection		
6 or 12 valve stations	–	
IP20 degree of protection	–	

	Basic electrical module with manual-automatic switchover	
	6 or 12 valve stations	–
	IP20 degree of protection	–
	Version with 3-stage safety ratchet switch	–



Module with 4 free outputs		
Operating voltage 24 V DC		
Max. electrical performance 12 W per output		
Electrical connection		
<ul style="list-style-type: none"> ▪ M12 circular plug for power supply ▪ M8 circular plug for power supply 		
IP54 degree of protection		

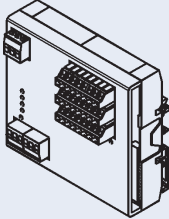
Module description

Digital I/O-Module

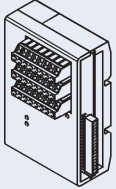
for extension of a valve unit with freely assignable inputs and/or outputs

Maximum of 48 digital connections; precondition is that a REMOTE I/O interface is present in the valve unit; supply voltage 24 VDC, power consumption max. 5 W, current consumption 10 mA per input, current sum of all outputs max. 10 A, power per output max. 12 W, signal level LOW = 0 to 4.5 V; HIGH = 13 to 28 V.

 6524/6525 Mounting dimension 11mm	 6526/6527 Mounting dimension 16.5mm
--	--



I/O basic digital module
With fieldbus connection (internal bus)
8 digital connections
DIP switch for setting up the 8 digital connections of the basic module as inputs or outputs
Terminal connection
IP20 degree of protection

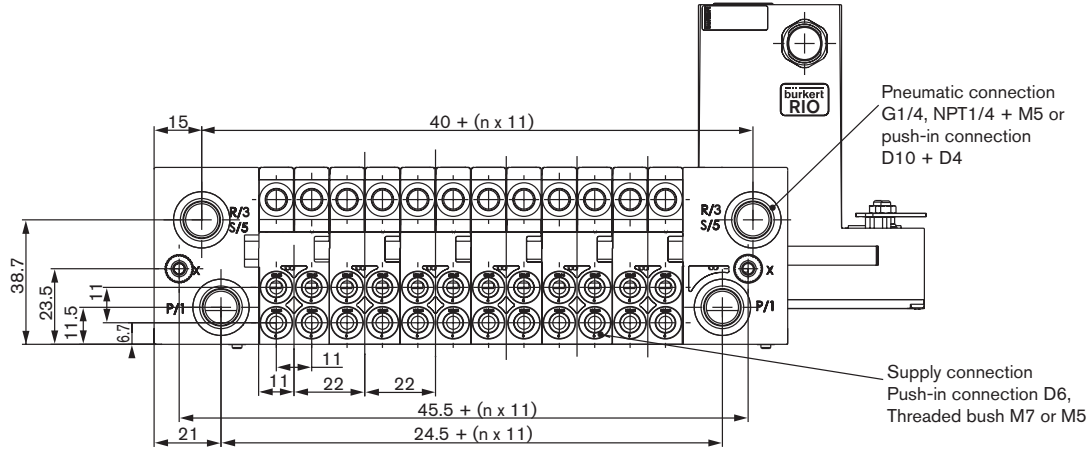
I/O expanding digital module	
Basic module required	
DIP switch for setting up the 8 digital connections of the basic module as inputs or outputs	
Terminal connection	
IP20 degree of protection	

Dimensions [mm]

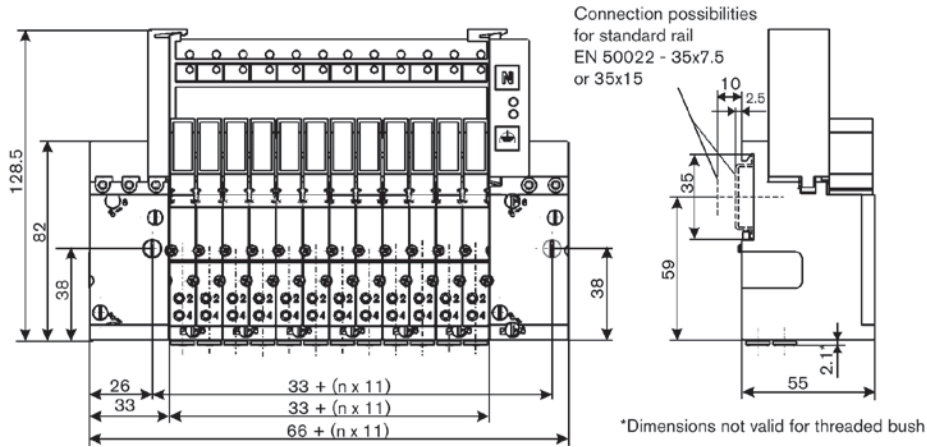
11 mm mounting dimensions for Type 6524/6525

Underside view of valve unit with Profibus and RIO-Interface

Supply and service ports are found on the bottom of the valve unit in all versions; the indicated dimensions apply to all the valves of this type.

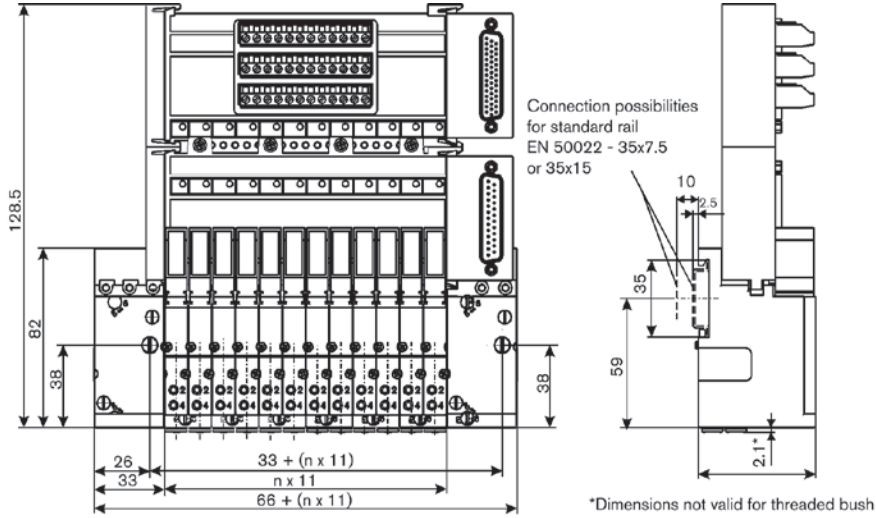


Example of a valve unit with common connection



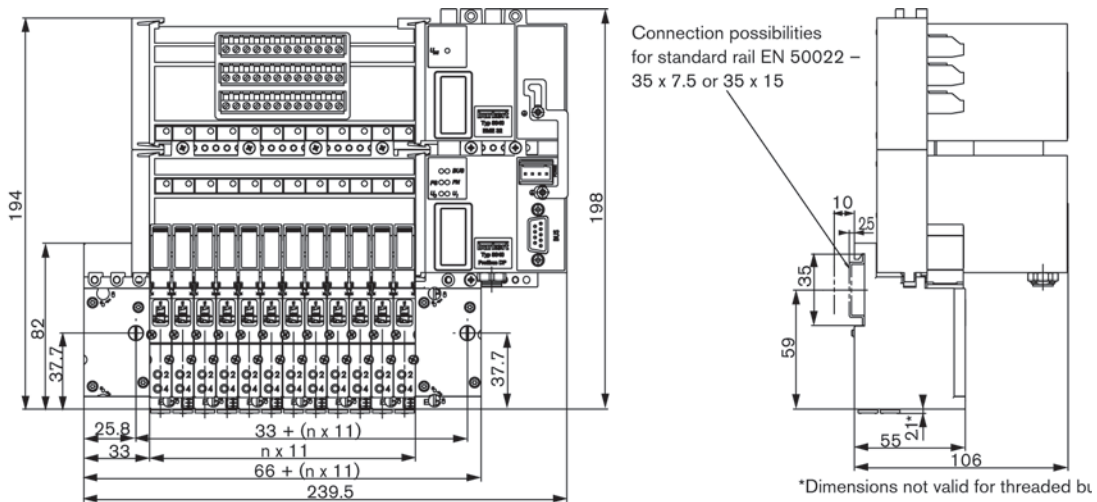
Dimensions [mm]

Example of a valve unit with repeaters and multipole connection



11mm mounting dimensions for Type 6524/6525, cont.

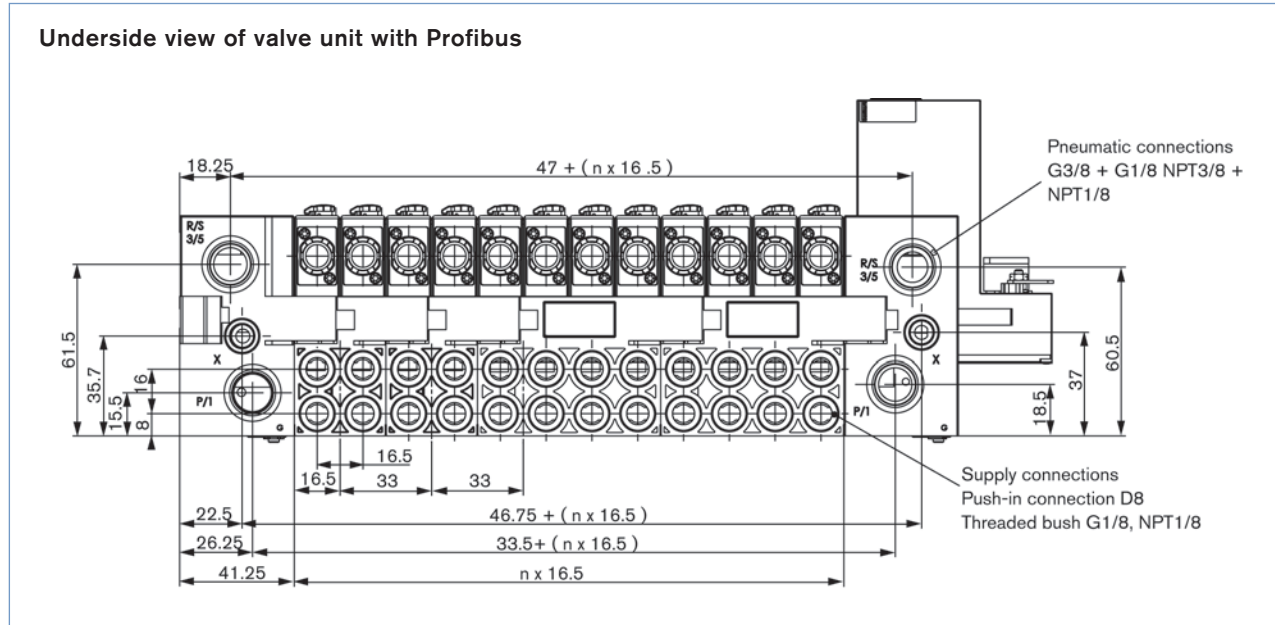
Example of valve unit with feedback, Profibus DP and RIO-Interface



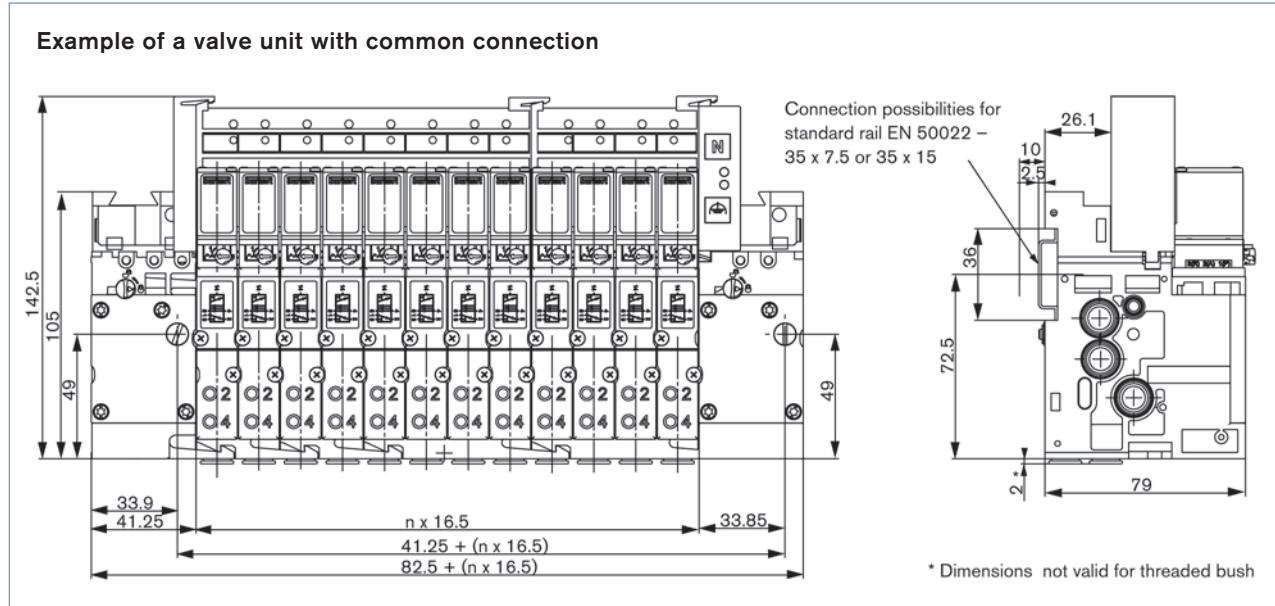
DTS 1000082387 EN Version: B Status: RL (released | freigegeben | validé) printed: 22.09.2017

Dimensions [mm]

16.5mm mounting dimensions for Type 6526/6527

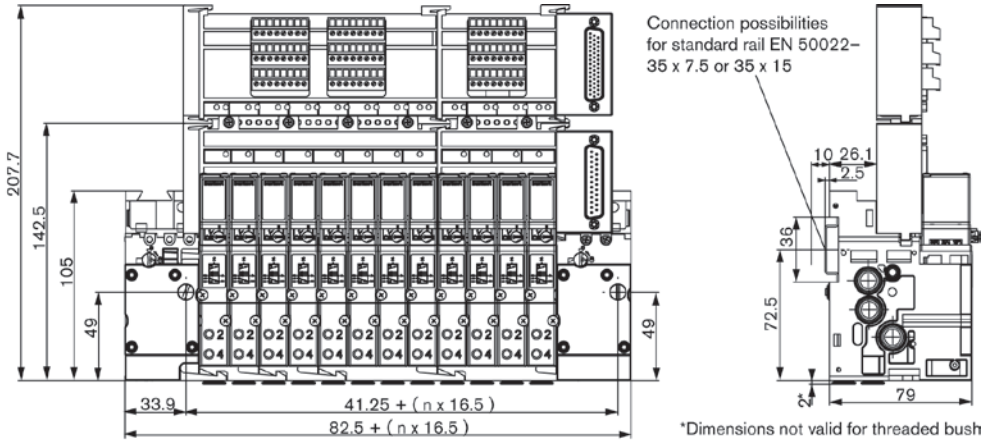


16.5mm mounting dimensions for Type 6526/6527, cont.

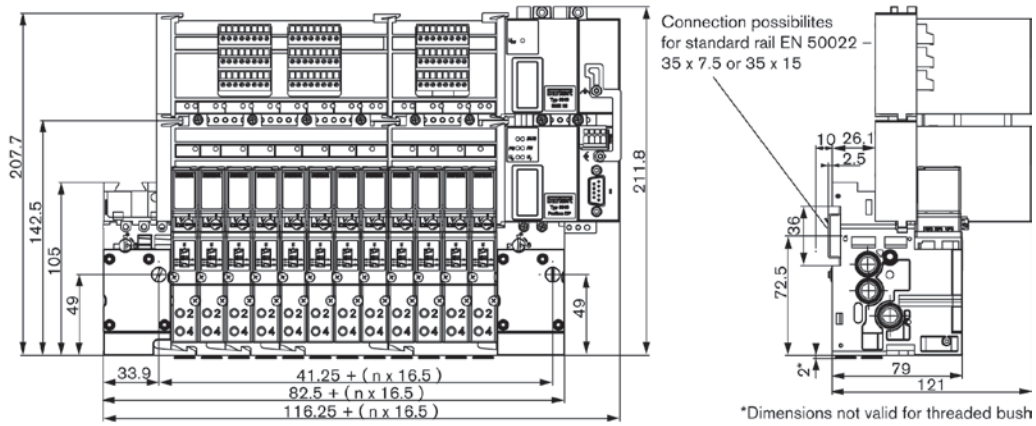


Dimensions [mm]

Example of a valve unit with repeaters and multipole connection



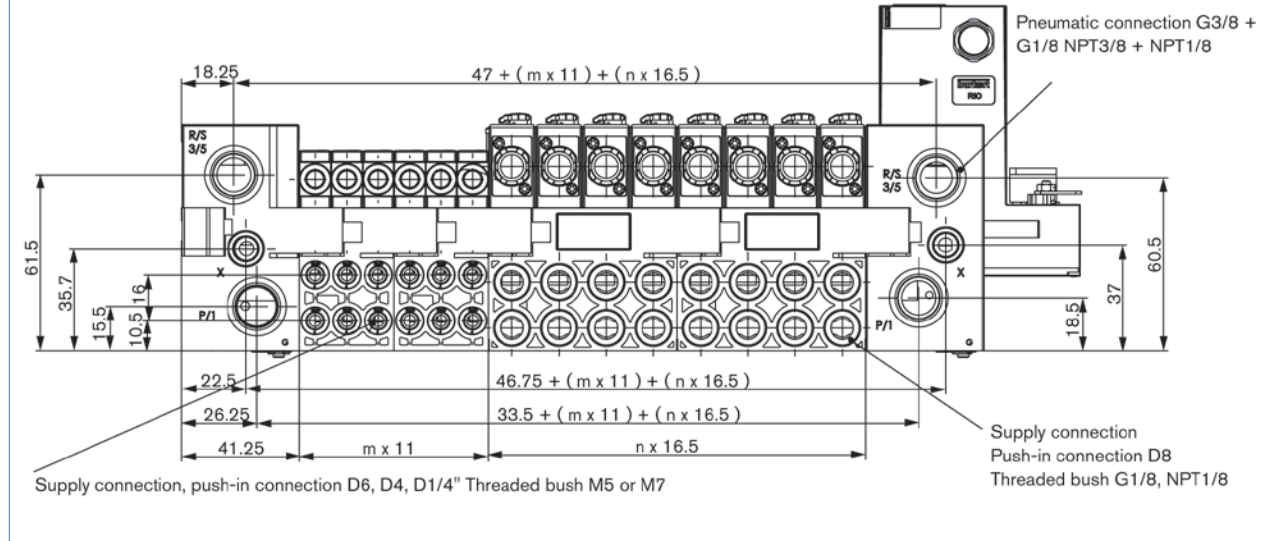
Example of valve unit with feedback and Profibus



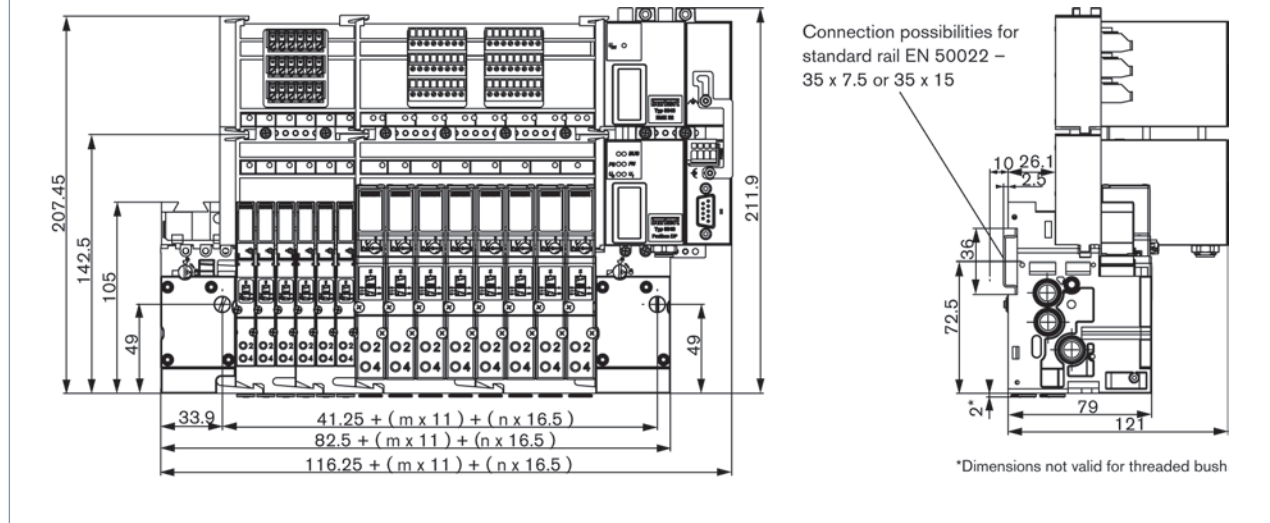
Dimensions [mm]

11mm mounting dimensions combination for Type 6524/6525 and 16.5mm for Type 6526/6527

Underside view of valve unit with Profibus and RIO-Interface

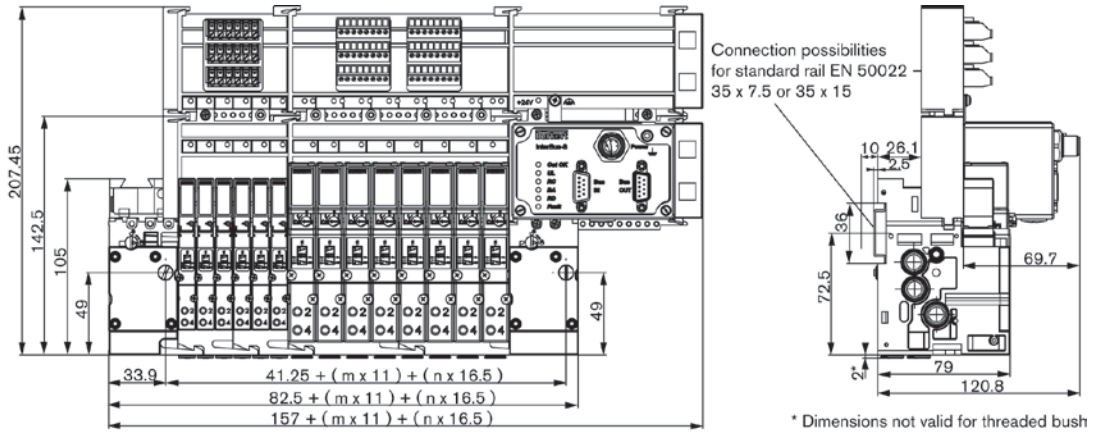


Example of valve unit with feedback, Profibus DP and RIO-Interface



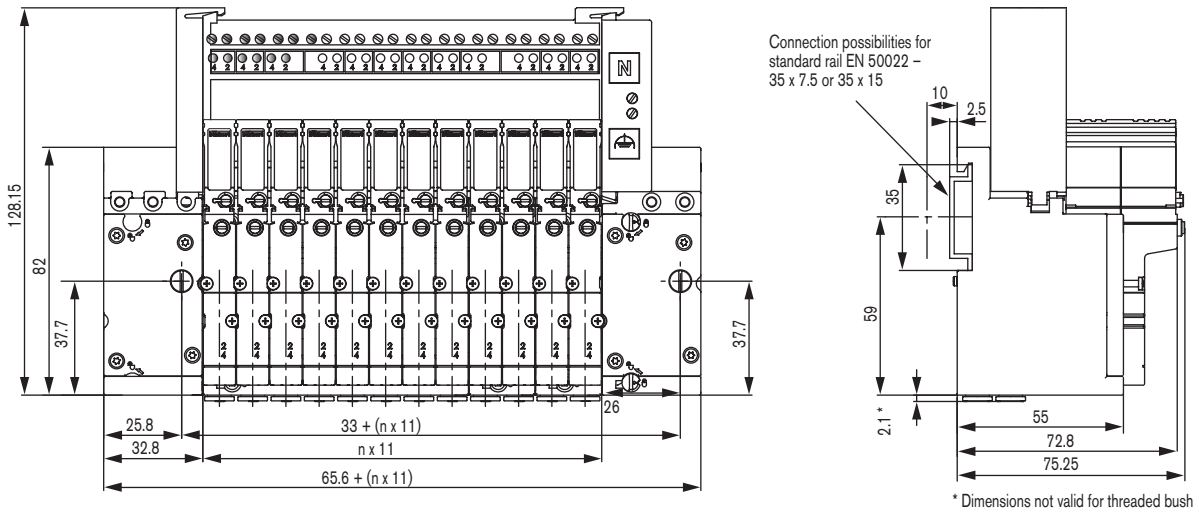
Dimensions [mm]

Example of valve unit with feedback and Interbus



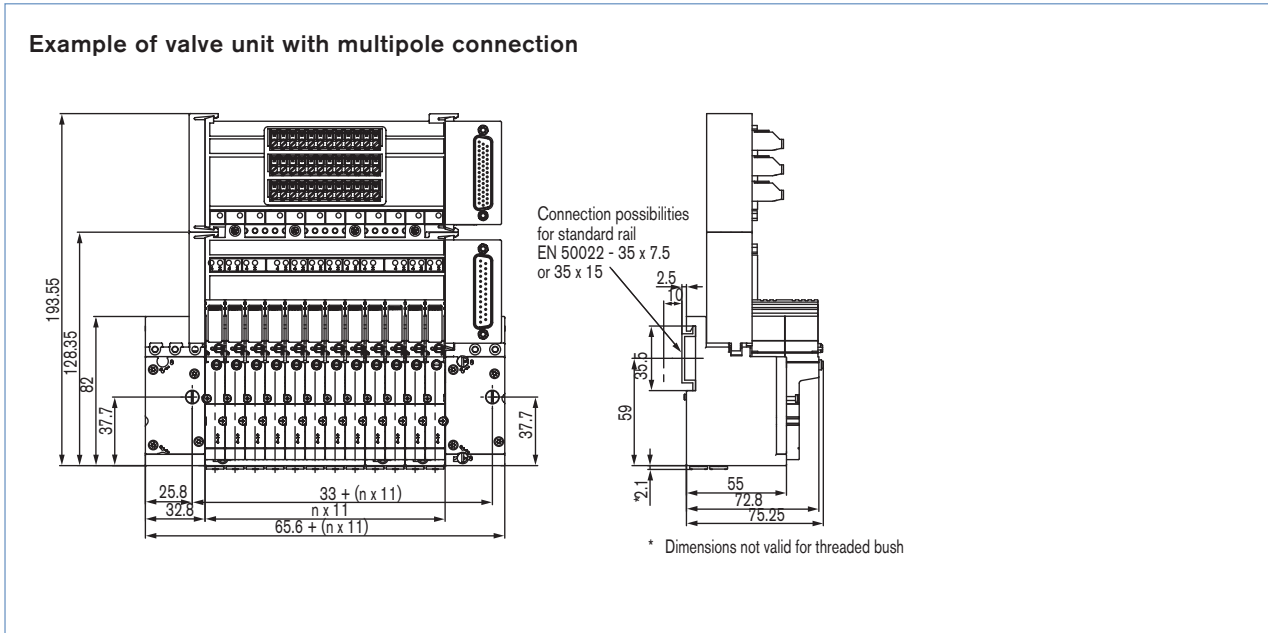
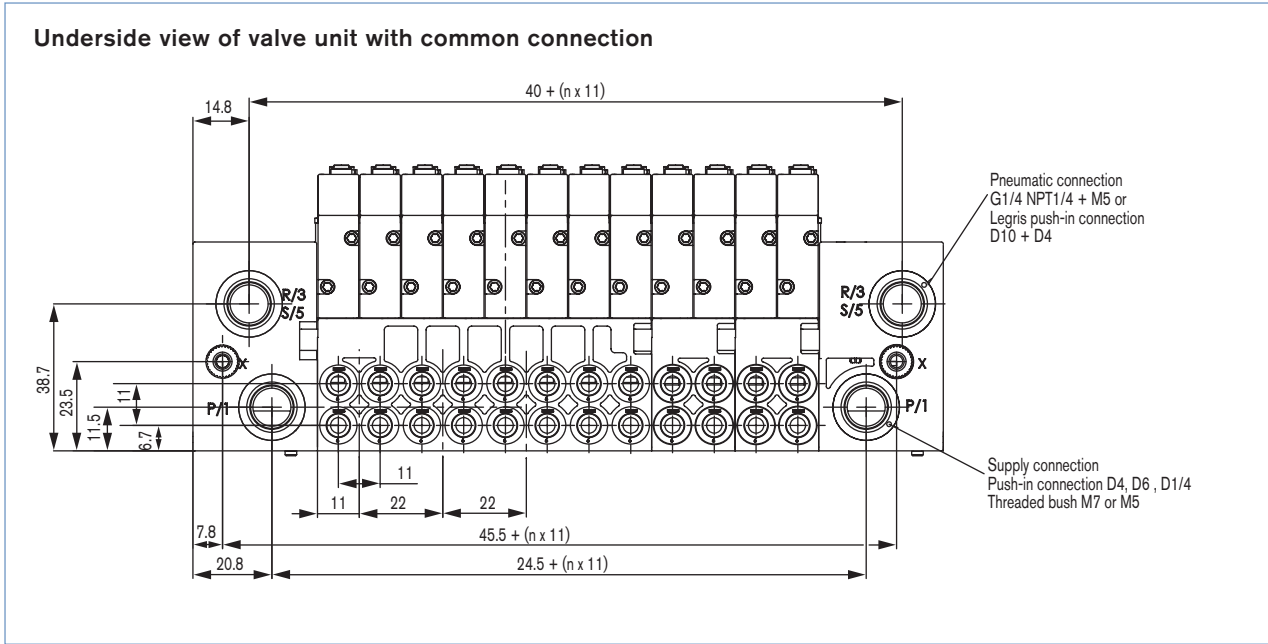
11 mm mounting dimensions for Type 6524 2 x 3/2-way valve

Example of valve unit with common connection



Dimensions [mm]

11 mm mounting dimensions for Type 6524 2 x 3/2-way valve



DTS 1000082387 EN Version: B Status: RL (released | freigegeben | validé) printed: 22.09.2017

Dimensions [mm]

