

Type 8041 can be combined with...



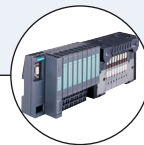
Type 8025
Insertion flowmeter
or batch controller
(remote version)



Type 8802
ELEMENT continuous
control valve systems



Type 8619
multiCELL - Transmitter/
controller



Type 8644
Remote process actuation
control system
AirLINE



PLC

Insertion magnetic inductive flowmeter

- Sensor without moving parts
- Flowmeter with On/Off control
- Application related calibration by Teach-In function
- Clean in place (CIP)
- FDA-compliant materials

The electromagnetic flowmeter 8041 is made up of an electronic module and a sensor consisting of PVDF or stainless steel material. It has been designed to measure a flow rate of neutral and slightly aggressive fluids with a conductivity of more than 20 $\mu\text{S}/\text{cm}$ in DN06...DN400 pipes.

It is fitted with a 4...20 mA output, a pulse output and a relay output. The different parameters can be set by means of 5 DIP switches, a push-button and a 10- field LED bargraph. It is available:

- with G 2" connection for the version with a PVDF sensor
- with G 2" or clamp connection for the version with a stainless steel sensor.

The version with a stainless steel sensor can be used in applications with higher pressures (PN16) and higher temperatures (150 °C).

General data

Compatibility

with fittings S020 (see corresp. datasheet)

Materials

Housing, cover, nut
PVDF sensor version
Stainless steel sensor version
Screws
Seal
Cable glands
Wetted parts materials
Sensor holder
Electrodes
Seals

PC (glass fibre reinforced for housing)
PPA (glass fibre reinforced)
Stainless steel
NBR
A with neoprene seal

Earth ring (PVDF sensor version)
Electrode holder (St. Steel sensor version)

PVDF or Stainless steel 1.4404/316L
Stainless steel 1.4404/316L
G 2" connection: FKM or EPDM (conform to FDA),
Clamp connection: EPDM or FEP (to be ordered separately)
Stainless steel 1.4404/316L

PEEK (conform to FDA)

Surface finishing quality

Ra < 0.8 μm (Clamp connection)

Electrical connections

2 cable glands M20 x 1.5

Recommended cable

0.5...1.5 mm² cross-section, shielded cable,
6...12 mm diameter (if only one cable is used per cable gland)
or 4 mm diameter (if two cables are used per cable gland with
using the supplied multi-way seal)

Environment

Ambient temperature


-10...+60 °C (+14...+140 °F) (operating)
-20...+60 °C (-4...+140 °F) (storage)

Relative humidity

< 80 %, without condensation

Height above sea level

Max. 2000 m

Complete device data (Fitting S020 + flowmeter)	
Pipe diameter G 2" connection Clamp connection	DN06...DN400 DN32...DN100
Measuring range	0.2...10 m/s
Sensor element	Electrodes
Fluid temperature PVDF sensor version Stainless steel sensor version	see Pressure/Temperature diagram 0...+80 °C (+32...+176 °F) (depends on fitting) -15...+150 °C (+5...+302 °F) (depends on fitting)
Fluid pressure max. PVDF sensor version Stainless steel sensor version	see pressure/temperature diagram PN10 (145.1 PSI) PN10 (145.1 PSI) (with plastic fitting) - PN16 (232.16 PSI) (with metal fitting)
Conductivity	min. 20 µS/cm
Viscosity	< 1000 mPa.s
Measurement deviation¹⁾ Teach-In Standard K-factor	±0.5 % of measured value ²⁾ (at the teach flow rate value) ±3.5 % of measured value ²⁾
Linearity	±0.5 % of F.S. ²⁾
Repeatability	±0.25 % of measured value ²⁾
Electrical data	
Power supply	18...36 V DC filtered and regulated (3 wires)
Reversed polarity of DC	protected
Current consumption	≤ 220 mA (at 18 V DC)
Output Signal current Frequency Relay	4...20 mA (sink or source by wiring), 100 ms refresh time; max. loop impedance: 1100 Ω at 36 V DC; 330 Ω at 18 V DC 0...240 Hz, duty cycle = 50 %±1 %; 100 mA max., protected against short-circuits and polarity reversals. Normally open or normally closed (depending on wiring), 250 V AC/3 A or 40 V DC/2 A (resistive load)
4...20 mA output uncertainty	±1 % of range
Alarm Full scale exceeding Fault signalling	22 mA and 256 Hz 22 mA and 0 Hz
User parameter	Saved in EEPROM
Specific technical data of UL-recognized products for US and Canada	
Relay output	30 V AC and 42 V peak max./2 A or 60 V DC max./1 A
Ambient temperature	0...+40 °C (32...+104 °F)
Relative humidity	max. 80 %, without condensation
Intended for an inner pollution	Pollution degree 2
Installation category	Category I
Standards, directives and certifications	
Protection class	IP65
Standard and directives CE Pressure	The applied standards, which verify conformity with the EU Directives, can be found on the EU Type Examination Certificate and/or the EU Declaration of conformity (if applicable) Complying with article 4, §1 of 2014/68/EU directive*
Certificates FDA declaration of conformity ECR1935/2004 declaration	For stainless steel or PVDF sensor with FKM or EPDM seal Only for stainless steel sensor with EPDM seal
Certification UL-Recognized  for US and Canada	UL61010-1 + CAN/CSA-C22.2 No.61010-1

¹⁾ = "measurement bias" as defined in the standard JCGM 200:2012

²⁾ Under reference conditions i.e. measuring fluid=water, ambient and water temperature = 20 °C (68 °F), applying the minimum inlet and outlet pipe straights, matched inside pipe dimensions.

* F.S.= Full scale (10 m/s)

* For the 2014/68/EU pressure directive, the device can only be used under following conditions (depending on max. pressure, pipe diameter and fluid).

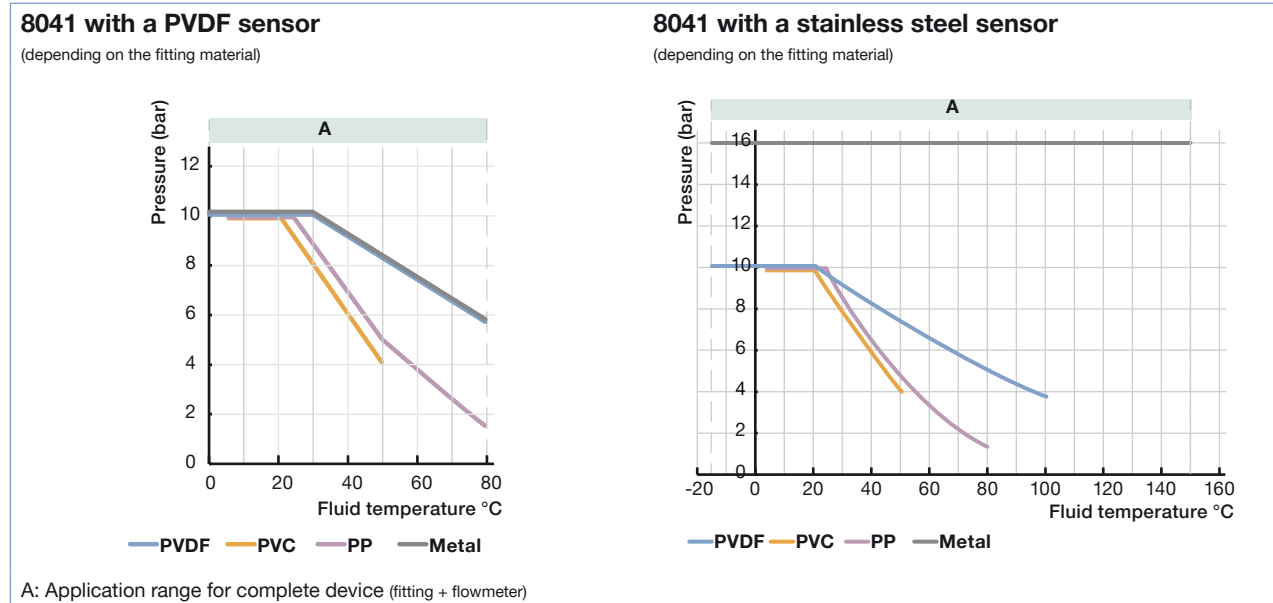
Type of fluid	Conditions
Fluid group 1, article 4, §1.c.i	Forbidden
Fluid group 2, article 4, §1.c.i	DN ≤ 32 or PS*DN ≤ 1000
Fluid group 1, article 4, §1.c.ii	DN ≤ 25 or PS*DN ≤ 2000
Fluid group 2, article 4, §1.c.ii	DN ≤ 200 or PS ≤ 0 or PS*DN ≤ 5000



If the device is mounted in a humid environment or outside, then the maximum voltage allowed is **35 V DC** instead of 36 V DC.

Pressure/Temperature diagram

Please be aware of the fluid pressure/temperature dependence according to the respective fitting+flowmeter material as shown in the diagrams.



Main features and programming

Using as a flowmeter

- Programming of the full scale
 - selection of a predefined measuring range: 0...2, 0...5 or 0...10 m/s
 - selection by Teach-In: with the actual max. flow velocity of the application
- 4...20 mA current output
- 0...240 Hz frequency output
- Relay output: switching mode either window or hysteresis, on low or high switching threshold
- Relay Time delay before switching
- Filter
- Alarm:
 - for full scale exceeding with 22 mA and 256 Hz
 - for fault signalling with 22 mA and 0 Hz

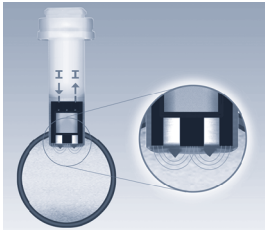
Using as an ON/OFF control

- Flow detection with switching thresholds, defined as a percentage of max. flow rate.
- Adjustment of the full scale of the device accordingly to the customer process full scale.

Possible applications

- ▶ Flow control of conductive fluids, contaminated or not:
- ▶ Waste water treatment
- ▶ Flow control of drinking water
- ▶ Laundries: measurement and control of the water consumption
- ▶ Swimming pools: pump protection and flow control
- ▶ Food-processing industry: monitoring of the cleaning cycles (conform to FDA)
- ▶ Irrigation

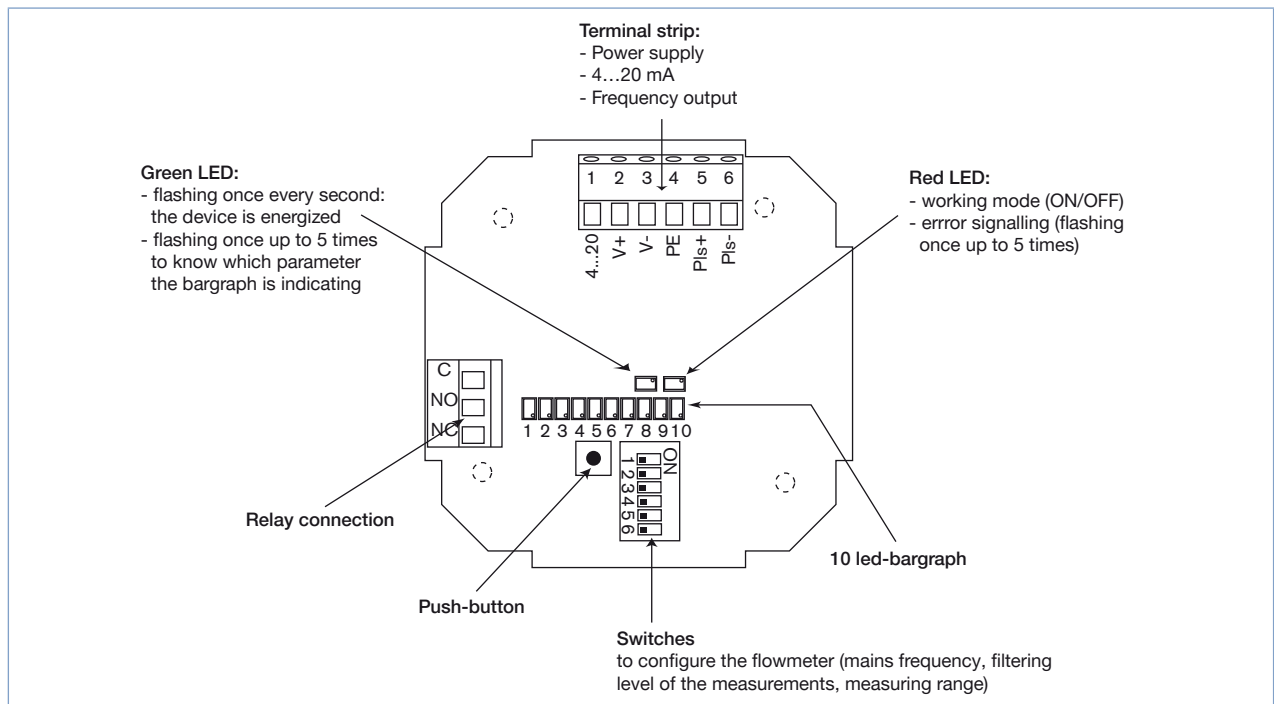
Design



The E-shaped magnetic system inside the sensor induces a magnetic field into the fluid, which is perpendicular to the direction of flow. Two electrodes are in galvanic contact with the liquid.

Based on the Faraday law a voltage can be measured between these electrodes once a liquid (min. conductivity of 20 $\mu\text{S}/\text{cm}$) flows along the pipe. This voltage is proportional to the flow velocity. Using the K-factor for the individual pipe diameter the speed of flow is converted into volume per time.

Display on PCB



Installation

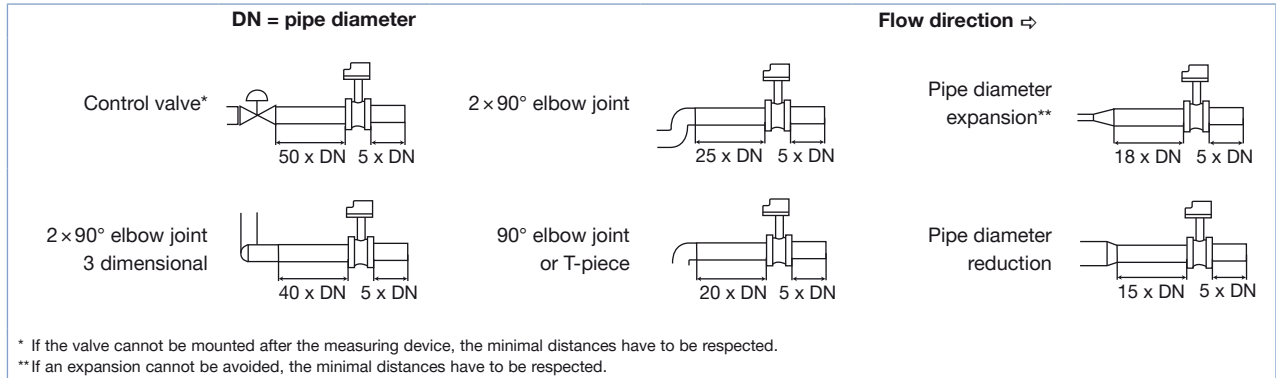
The 8041 flowmeter can easily be installed into any Bürkert Insertion fitting system (S020) by just fixing the main nut.

Minimum straight upstream and downstream distances must be observed. According to the pipe's design, necessary distances can be bigger or use a flow conditioner to obtain the best accuracy.

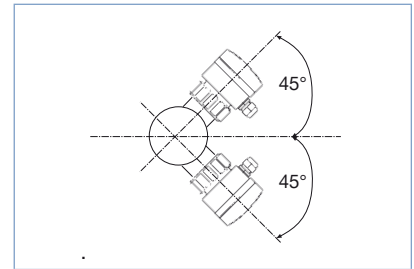
For more information, please refer to EN ISO 5167-1.

EN ISO 5167-1 prescribes the straight inlet and outlet distances that must be complied with when installing fittings in pipe lines in order to achieve calm flow conditions. The most important layouts that could lead to turbulence in the flow are shown below, together with the associated prescribed minimum inlet and outlet distances.

These ensure calm, problem-free measurement conditions at the measurement point.

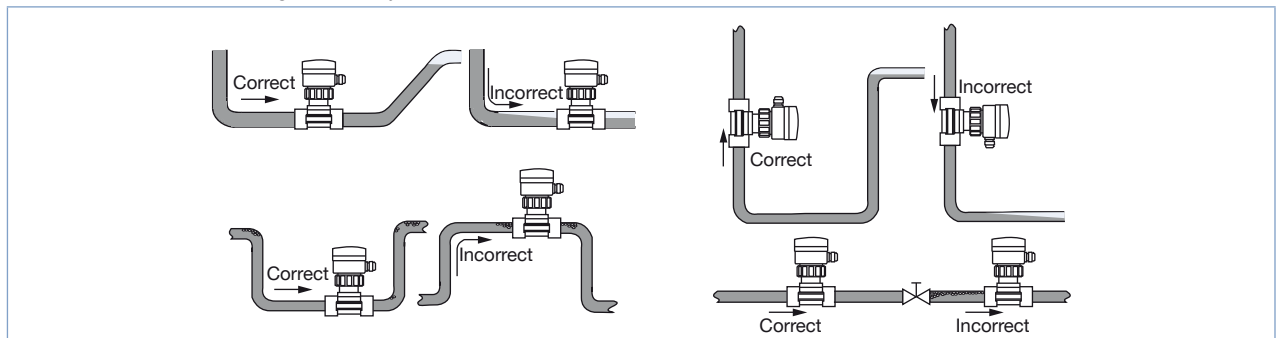


It is advisable to mount the flowmeter at a 45° angle to the horizontal centre of the pipe to avoid having deposits on the electrodes and false measurements due to air bubbles



The device can be installed into either horizontal or vertical pipes.

Mount the 8041 in the following correct ways to obtain an accurate flow measurement.



Pressure and temperature ratings must be in accordance to the selected fitting material. The suitable pipe size is selected using the diagram Flow rate/Velocity/DN.

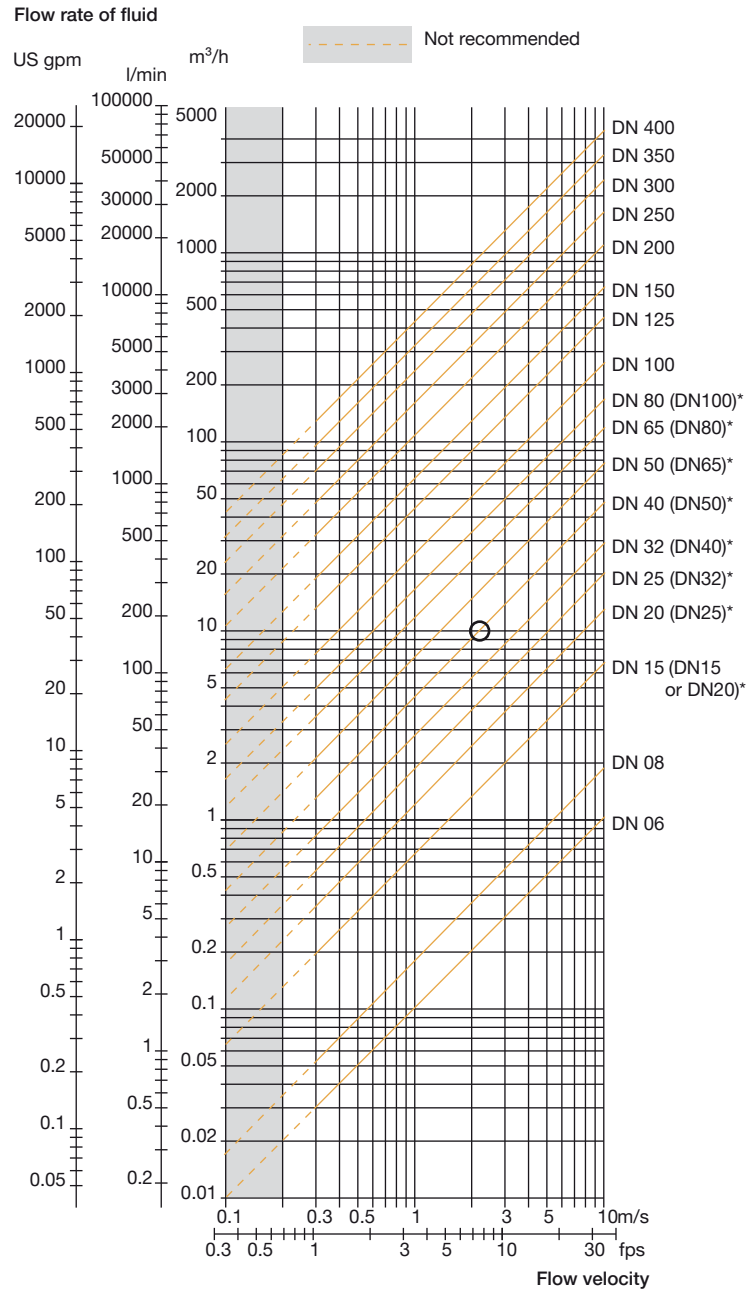
The flowmeter is not designed for gas or steam flow measurement.

Diagram Flow rate/Velocity/DN

Example:

- Flow: 10 m³/h
- Ideal flow velocity: 2...3 m/s

For these specifications, the diagram indicates a pipe size of DN40 [or DN50 for (*) mentioned fittings]

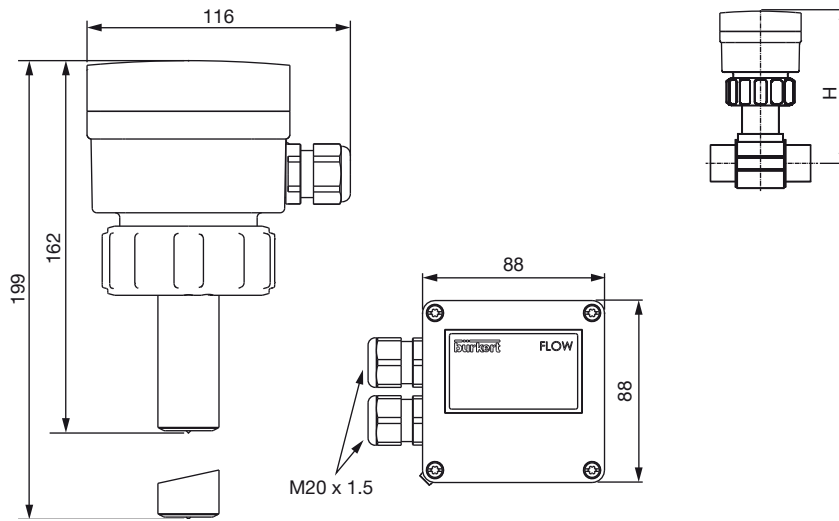


* for following fittings with:

- external thread acc. to SMS 1145
- weld end acc. to SMS 3008, BS 4825-1/ASME BPE/DIN 11866 series C or DIN 11850 series 2/DIN 11866 series A/DIN EN 10357 series A
- Clamp acc. to SMS 3017, BS 4825-3/ASME BPE or DIN 32676 series A

Dimensions [mm]

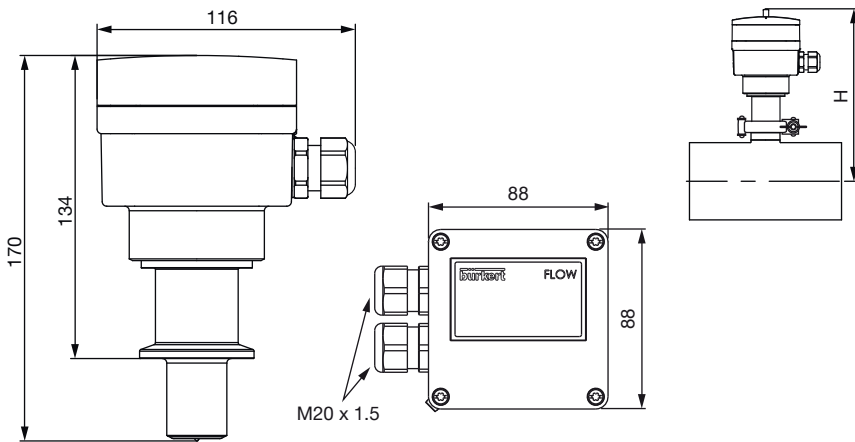
G 2" connection version



DN	H			
	T-Fitting	Saddle	Plastic spigot	Metal spigot
06	163			
08	163			
15	168			
20	166			
25	166			
32	169			
40	173			169
50	179	204		174
65	179	203	187	180
80		207	193	185
100		212	200	195
110		208		
125		215	235	206
150		225	242	217
180		249		
200		261	263	238
250			281	298
300			293	317
350			306	329
400			321	

Note: The length of the sensor finger depends on the fitting used.
See data sheet Type S020 or available fitting DN diagram on page 10.

Clamp connection version



DN	H
32	181
40	186
50	191
65	199
80	205
100	211

Ordering information and chart for flowmeter Type 8041

• G 2" connection to use with S020 Fitting for flowmeter with G 2" connection.

A complete flowmeter Type 8041 with G 2" connection consists of a flowmeter Type 8041 (with G 2" connection) and a Bürkert fitting Type S020.

The following information is necessary for the selection of a complete device:

- **Article no.** of the desired flowmeter **Type 8041** (see ordering chart, below)
- **Article no.** of the selected fitting **Type S020** for flowmeter with G 2" connection (see separate data sheet [More info.](#))



Voltage supply	Output	Relay	Housing material	Seals	Sensor version	Certificates		UL Certifications	Electrical connection	Article no.
						FDA	ECR1935/2004 ¹⁾			
18...36 V DC	4...20 mA, frequency	1	PC	FKM	short, PVDF	✓	✗	✗	2 cable glands	558064
					long, PVDF	✓	✗	✗	2 cable glands	558065
			PPA	FKM	short, stainless steel)	✓	✓	✗	2 cable glands	552779
					long, stainless steel	✓	✓	✗	2 cable glands	552780
			PPA	FKM	short, stainless steel	✓	✓	✓	2 cable glands	561606
					long, stainless steel	✓	✓	✓	2 cable glands	561607

Note: 1 EPDM seal contained in the kit 551775 , 1 relay connection kit 552 812 are supplied with each flowmeter.

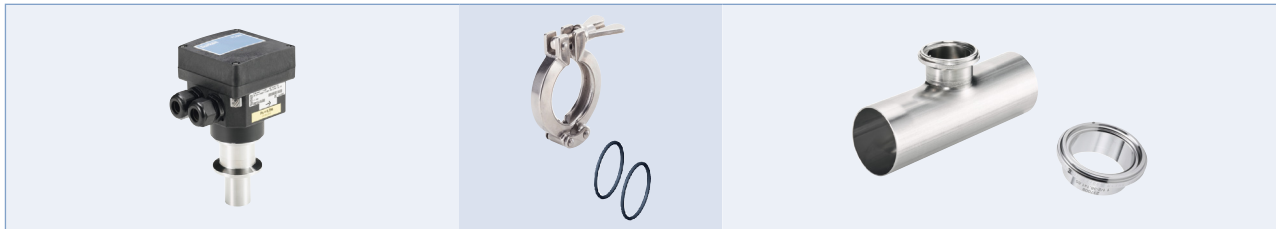
¹⁾ if FKM seal mounted as standard at factory is replaced with the EPDM seal included in the delivery.

• Clamp connection to use with S020 Fitting for flowmeter with clamp connection.

A complete flowmeter Type 8041 with clamp connection consists of a flowmeter Type 8041 (with clamp connection), a Bürkert fitting Type S020, a clamp collar and a fitting/flowmeter seal.

The following information is necessary for the selection of a complete device:

- **Article no.** of the desired flowmeter **Type 8041** (see ordering chart, below)
- **Article no.** of the selected fitting **Type S020** for flowmeter with clamp connection (see separate data sheet [More info.](#))
- **Article no.** of the selected fitting/flowmeter seal - EPDM or FEP (see ordering chart, p. 9)
- **Article no.** of the clamp collar (see ordering chart, p. 9)



Voltage supply	Output	Relay	Housing material	Fitting/flowmeter seals*	Sensor version	Certificates		Electrical connection	Article no.
						FDA	ECR1935/2004 ¹⁾		
18...36 V DC	4...20 mA, frequency	1	PC	EPDM or FEP	Clamp, stainless steel	✓	✓	2 cable glands	564688

Note: 1 Kit 565384 and 1 relay connection kit 552 812 are supplied with each flowmeter.

* Has to be ordered separately

¹⁾ Only if mounted with EPDM seal.

Ordering chart - accessories for flowmeter Type 8041 (has to be ordered separately)

Specifications	Article no.
Set with 2 cable glands M20 × 1.5 + 2 neoprene flat seals for cable gland or plug + 2 screw-plugs M20 × 1.5 + 2 multiway seals 2 × 6 mm	449755
Set with 2 reductions M20 × 1.5 /NPT 1/2" + 2 neoprene flat seals for cable gland or plug + 2 screw-plugs M20 × 1.5	551782
Relay connection kit with 1 screw terminal strip + 1 protection cap + 1 rilsan + 1 mounting instruction sheet	552812
3 points calibration certificate (device combined with a S020 fitting, only for DN ≤ 200)	550676
FDA declaration of conformity (for stainless steel or PVDF sensor with FKM or EPDM seal)	803724
For G 2" connection version	
Set with 1 stopper for unused cable gland M20 × 1.5 + 1 multiway seal 2 × 6 mm for cable gland + 1 green FKM seal for the sensor + 1 mounting instruction sheet	558102
Snap ring	619205
PC union nut	619204
PPA union nut	440229
Set with 1 green FKM and 1 black EPDM seal	552111
For clamp connection version	
Set with 1 stopper for unused cable gland M20 × 1.5 + 1 multiway seal 2 × 6 mm for cable gland	565384
1 EPDM fitting/flowmeter seal	730837
1 FEP fitting/flowmeter seal	730839
Clamp collar	731164

Ordering chart for remote electronics Type 8025 which can be connected to the 8041

Version	Description	Voltage supply	Output	Relays	Sensor version	Electrical connection	Article no.
Panel	8025 "Universal", 2 totalizers	18...30 V DC	4...20 mA, pulse	None	8041	Terminal strip	419538
				2	8041	Terminal strip	419537
	8025 "Batch", 2 totalizers, 1 flowrate	18...30 V DC	-	2	8041	Terminal strip	419536
Wall	8025 "Universal", 2 totalizers	18...30 V DC	4...20 mA, pulse	None	8041	3 cable glands	419541
				2	8041	3 cable glands	419540
		115...230 V AC	4...20 mA, pulse	None	8041	3 cable glands	419544
		8025 "Batch", 2 totalizers, 1 flowrate	18...30 V DC	-	2	8041	5 cable glands

Interconnection possibilities with other Bürkert devices

Type 8802-DD
Process control valve
4...20 mA current output

Type 5281
Solenoid valve
Relay output

Type 8619
multiCELL transmitter/controller
panel- or wall-mounted
Frequency output

Type 8025
Universal transmitter/batch controller
Wall-mounted or panel-mounted
Frequency output

Type 8041
Electromagnetic flowmeter with clamp connection

Type 8041
Electromagnetic flowmeter with G 2" connection

Type S020
Insertion fitting for flowmeter with clamp connection
(see corresp. data sheet)

Type S020
Insertion fitting for flowmeter with G 2" connection
(see corresp. data sheet)

		DN06	DN08	DN32	DN50	DN65	DN100	DN200	DN350	DN400
Available S020 fittings for flowmeter with connection	T-fitting	(1)		Short sensor						
	Welding socket				Short sensor		Long sensor			
	Fusion spigot				Short sensor		Long sensor			
	Screw-on						Long sensor			
	Saddle				Long sensor					
	Clamp	T-fitting								
Welding socket										

⁽¹⁾ DN06 and DN08 in stainless steel S020 only, 8041 with stainless steel sensor recommended

DTS 1000021534 EN Version: R Status: RL (released | freigegeben | valide) printed: 26.07.2018

To find your nearest Bürkert facility, click on the orange box →

www.burkert.com

In case of special application conditions, please consult for advice.

Subject to alteration.
© Christian Bürkert GmbH & Co. KG

1807/15_EU-en_00891911