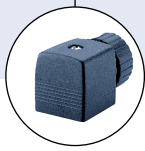


Type 6518/6519 can be combined with...



Type 2508
Cable plug



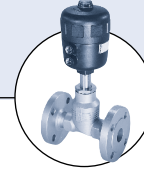
Type 1078
Timer unit



Type 2512/2511
ASI cable plug



Type 8600
Dosing control



Type 2012
Single-seat globe valve

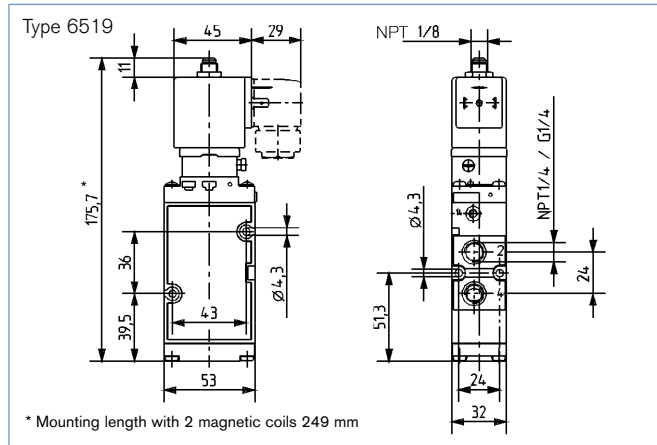
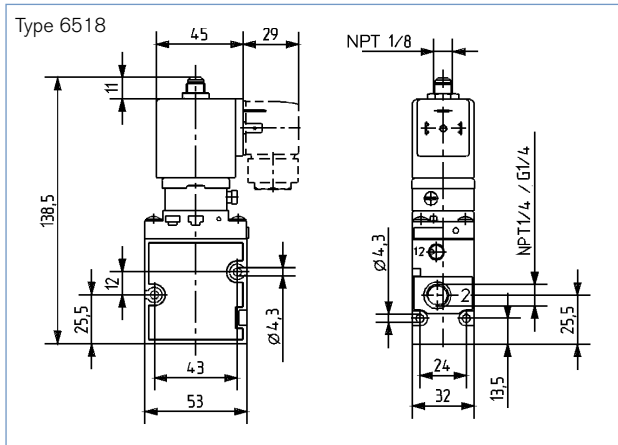
- High flow-rate capacity
- Single or manifold mounting
- Circuit function NC and NO
- 3 and 5-way valves can be combined
- Push-over solenoid coil
- Reduced power consumption
-

The Type 6518 is a 3/2-way valve and the Type 6519 is a 5/2 or 5/3-way valve. Together, they form a product line. Both types can be mounted on a pneumatic module. The valves can be used individually or in blocks.

Power consumption		
Inrush	Hold	
AC	AC	DC
[VA]	[VA/W]	[W]
11	6/2	2

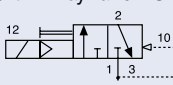
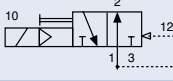
Technical data	
Orifice	
Type 6518	DN 8.0 mm
Type 6519	DN 8.0 and 9.0 mm
Body material	
Type 6518	Polyamide, reinforced
Type 6519	Polyamide (5/2-way), aluminium (5/3-way)
Thread insert material	Brass (stainless steel on request)
Seal material	
Type 6518	NBR and PUR
Type 6519	NBR or NBR and PUR
Media	Compressed air, neutral gases
Media temperature	14°F to 122°F (-10°C to +50°C)
Ambient temperature	-13°F to 131°F (-25°C to +55°C)
Supply ports	
Type 6518: 1 and 3	NPT 1/4, can also be flanged
Type 6519: 1, 3 and 5	NPT 1/4, can also be flanged
Service port	
Type 6518: 2	Threaded port NPT 1/4
Type 6519: 2 and 4	Threaded port NPT 1/4
Voltage tolerance	±10%
Duty cycle	100% continuous rating
Electrical connection	Tag connector acc. to DIN 43650 Form A
Protection class	IP 65 with cable plug
Installation	As required, preferably with actuator upright

Dimensions [mm]



Ordering chart for Type 6518 valves (other versions on request)

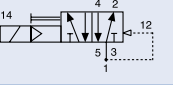


All valves can be stand alone or mounted on a manifold. Includes standard cable plug Type 2508, 008 376 N

Circuit function	Orifice [mm]	Seal material body	Port connection threaded port	Q _N value air [l/min]	C _v	Pressure range [PSI]	Power consumption [W]	Voltage/frequency [V/Hz]	Item no. UL Recognized CSA/CE
C 3/2-way valve NC 	8.0	NBR and PUR (polyamide)	NPT 1/4	1300	1.3	29 – 116	2	024/DC	456 989
								024/60	456 990
								120/60	456 991
								240/60	456 992
D 3/2-way valve NO 	8.0	NBR and PUR (polyamide)	NPT 1/4	1300	1.3	29 – 116	2	024/DC	456 993
								024/60	456 994
								120/60	456 995
								240/60	456 996

NOTE: UL listed/FM Class 1, Div 2 / CSA/CE on request

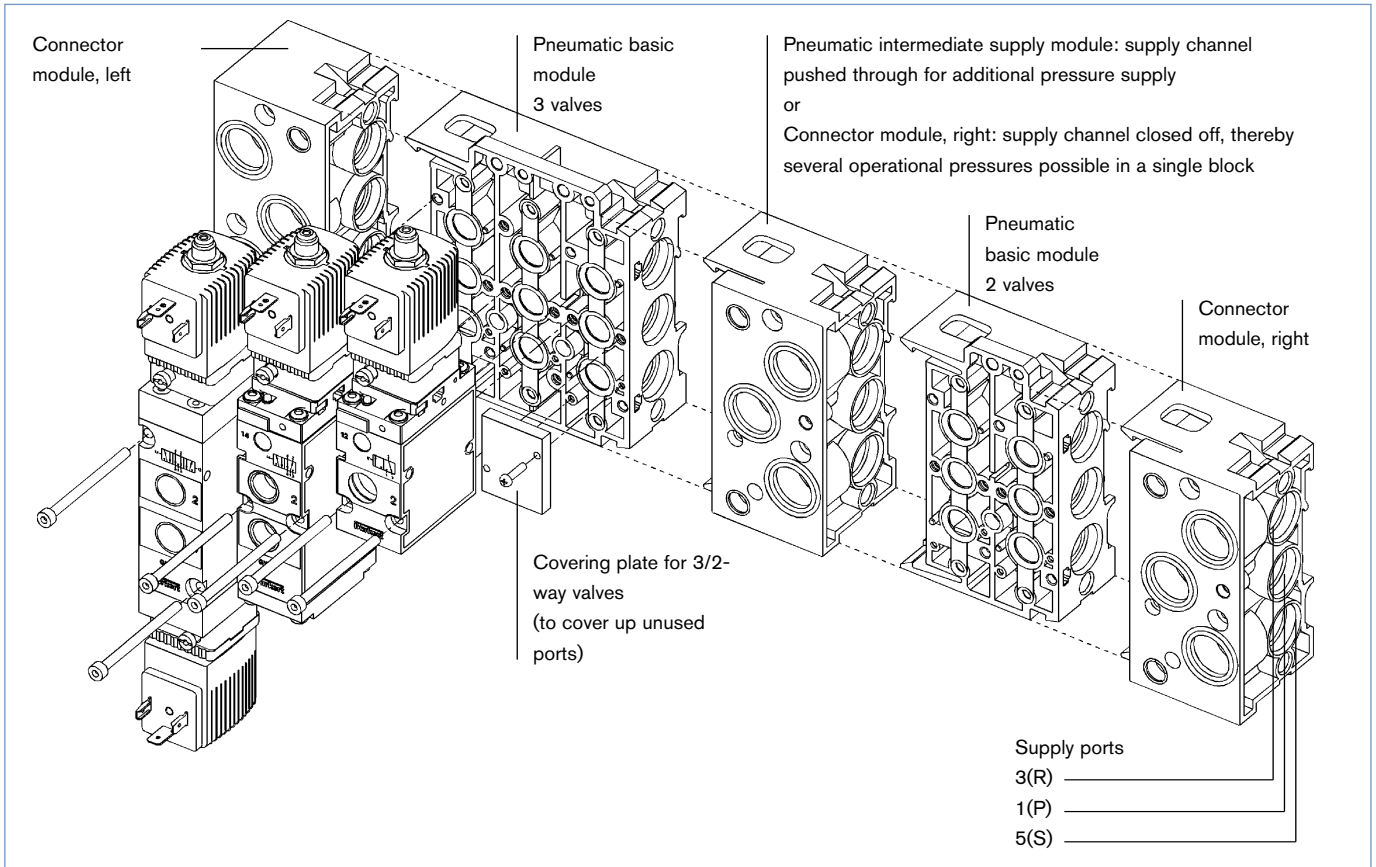
Ordering chart for Type 6519 valves (other versions on request)

All valves can be stand alone or mounted on a manifold. Includes standard cable plug Type 2508, 008 376 N

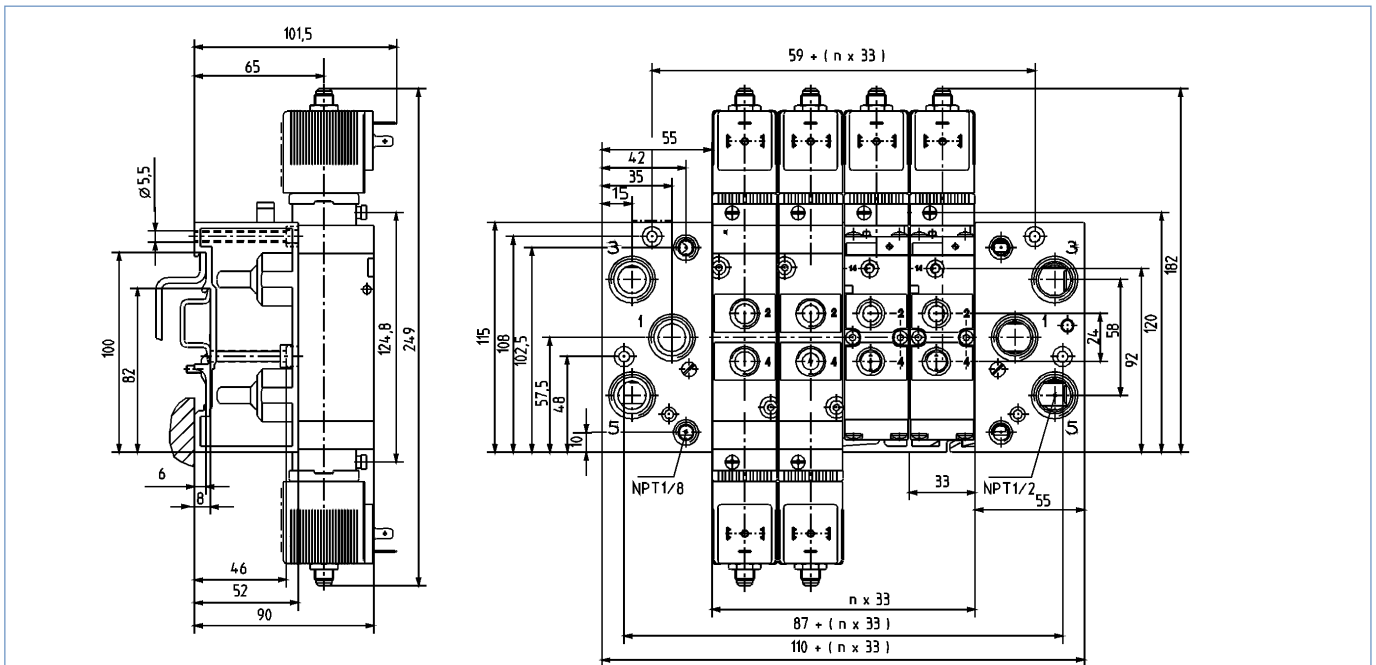
Circuit function	Orifice [mm]	Seal material body	Port connection threaded port	Q _N value air [l/min]	C _v	Pressure range [PSI]	Power consumption [W]	Voltage/frequency [V/Hz]	Item no. UL Recognized CSA/CE
H 5/2-way valve 	8.0	NBR and PUR (polyamide)	NPT 1/4	1300	1.3	29 – 116	2	024/DC	456 977
								024/60	456 978
								120/60	456 979
								240/60	456 980
L 5/3-way valve Closed middle position 	8.0	NBR and PUR (polyamide)	NPT 1/4	1300	1.3	43 – 145	2	024/DC	456 981
								024/60	456 982
								120/60	456 983
								240/60	456 984
N 5/3-way valve, Vented middle position 	8.0	NBR and PUR (polyamide)	NPT 1/4	1300	1.3	43 – 145	2	024/DC	456 985
								024/60	456 986
								120/60	456 987
								240/60	456 988

NOTE: UL listed/FM Class 1, Div 2 / CSA/CE on request

Manifold assembly with modules Type MP07 (example)



Manifold assembly either wall-mounted or standard mounting EN 50022 or 50023



Valve assembly of the Type MP07 pneumatic modules using the supplied M4 screws.
(n = no. of valves, max. 12)

DTS 1000082452 EN Version: B Status: RL (released | freigegeben | validé) printed: 22.09.2017

Ordering chart for Type MP07 pneumatic module and complementary products

Version	Item no.
Connector module, right NPT 1/2	639 618
Pneumatic intermediate supply module	637 505
Pneumatic basic module 2 valves universal (for 3/2-, 5/2-, 5/3-way)	635 319
Pneumatic basic module 3 valves universal (for 3/2-, 5/2-, 5/3-way)	635 343
Connector module, left NPT 1/2	639 616
Covering plate for 5/2 and 5/3 (to cover the unused valve positions)	635 335
Covering plate für 3/2 (to cover the unused connections)	635 337
Blanking plug NPT 1/8, brass, Hex socket	US07133
Blanking plug NPT 1/4, brass, Hex socket	US00667
Blanking plug NPT 1/2, brass, Hex socket	US07129

Note: Manifold also can be used with FM approved explosion proof valves. Manifolds can not be used with ATEX approved valves.

Ordering chart for cable plug 2508

The delivery of a cable plug includes the flat seal and the fixing screw (galvanised and chrome-plated): In the case of stainless steel valves, we recommend a cable plug with a stainless steel screw (see ordering chart, without circuitry)

Voltage	Current rating	Item number without cable
Without circuitry, 2 pins + protective earth		
0 to 250 V/AC/DC mounting screw (standard)	max. 6 A	008 376
0 to 250 V/AC/DC with st. steel screw	max. 6 A	132 445
Without circuitry, 3 pins + protective earth		
0 to 250 V/AC/DC	max. 6 A	008 526
With LED		
12 to 24 V/AC/DC	max. 6 A	008 360
100 to 120 V/AC/DC	max. 6 A	008 361
200 to 240 V/AC/DC	max. 6 A	008 362
With rectifier, varistor and LED ■		
12 to 24 V/AC/DC	max. 1 A	008 363
100 to 120 V/AC/DC	max. 1 A	008 365
200 to 240 V/AC/DC	max. 1 A	008 366

■ With DC, ensure correct polarity.

Ordering chart for cable plug 2508

The delivery of a cable plug includes the flat seal and fixing screw.

Voltage	Current rating	Item number without cable
With LED and varistor		
12 to 24 V /AC/DC	max. 6 A	008 367
100 to 120 V /AC/DC	max. 6 A	008 368
200 to 240 V/AC/DC	max. 6 A	008 369
With varistor		
12 to 24 V/AC/DC	max. 6 A	008 370
100 to 120 V/AC/DC	max. 6 A	008 371
200 to 240 V/AC/DC	max. 6 A	008 372
With pole protection, rectifier and LED		
12 to 24 V/DC	max. 1 A	008 373
With pole protection and rectifier		
12 to 240 V/DC	max. 1 A	008 375
With rectifier and varistor		
12 to 240 V/AC/DC	max. 1 A	008 374

In case of special application conditions, please consult for advice.

We reserve the right to make technical changes without notice.

1409/2_US-en_1000082452