



Type 3232 can be combined with...



Type 2030
Version with
pneumatic actuator

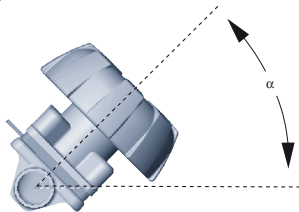


Type 2031
Version with
pneumatic actuator

Manually-operated diaphragm valves in compact model consisting of plastic bodies, diaphragm seal, PPS bonnet and PPS handwheel. The diaphragm is both a switching element and a seal element towards the outside, and is easily replaced. The flow can be continually adjusted with the handwheel. The valves have no dead volume and can be mounted to be self-draining.

Installation for self-draining operation

$\alpha = 15$ to 30° plus 3° to 5° inclination to pipe axis



Manually operated 2 way Diaphragm Valve with plastic body

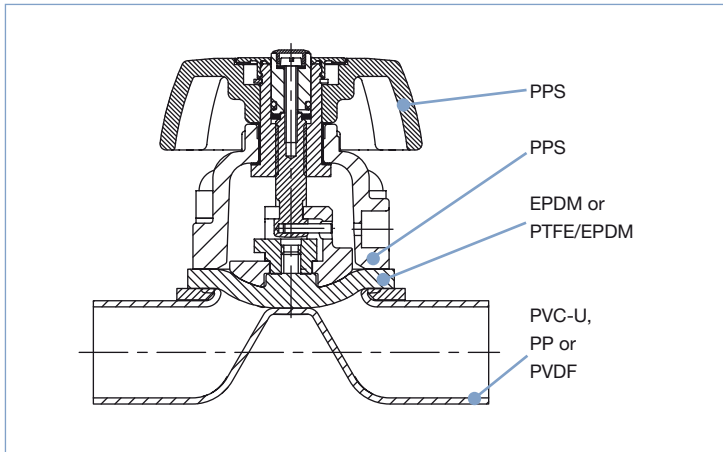
- Flow optimized and deadleg free bodies
- Hermetical separation of fluids from the operating mechanism by diaphragm
- Manual actuator in plastic
- Plastic bodies with true union, solvent socket, weld ends or flanges
- Suitable for aggressive and corrosive media

Technical data

Orifice (diaphragm size)	DN15...50 (65...100 on request)
Body materials	PVC-U, PP, PVDF
Actuator material	PPS manual actuator and bonnet
Seal material	EPDM, PTFE/EPDM (FKM on request)
Medium	Neutral or aggressive medium
Viscosity	Up to viscous
Medium temperature¹⁾	See chart on p. 2
Ambient temperature	-10 to +60 °C
Port connections	DN15...50: True union and spigot connections
Installation	As required
Installation for self draining	Tilted 5...30° to the horizontal and inclined 3...5° to the flow direction (see drawing)
Options (on request)	Locking function


¹⁾ The permissible nominal pressure falls with increasing medium temperature (see Pressure-temperature chart)

Materials



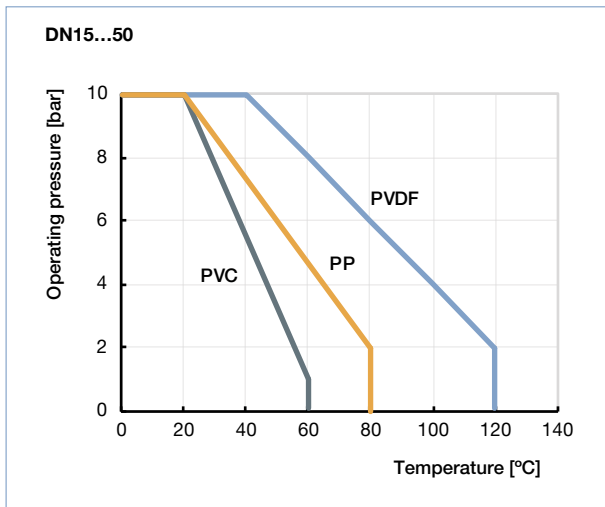
Approvals

Suitable for foodstuffs

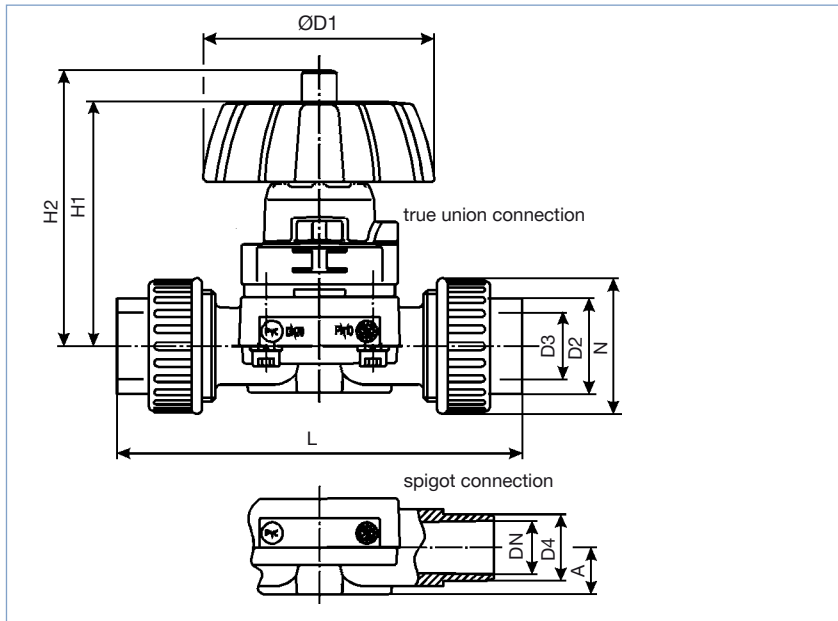
- 
 The composition of the EPDM and PTFE/EPDM diaphragms corresponds to the *Code of Federal Regulations*, published by the *FDA* (Food and Drug Administration, USA).

Medium temperature

Pressure/temperature compatibility chart



Dimensions [mm]



All versions				True union connection				Spigot connection		
Orifice [mm] (diaphragm size)	Ø D1	H1	H2	D2	D3	L	N	A	D4	L
15	86	84	92	28	20	128	41	14	20	124
20	86	92	102	36	25	152	51	17.5	25	144
25	86	96	108	42	32	166	58	21	32	154
32	114	124	139	53	40	192	72	25.5	40	174
40	114	130	149	59	50	222	80	32.5	50	194
50	114	145	170	74	63	266	100	39	63	224

Ordering chart for valves (other versions on request)

All bonnets and handwheels are manufactured from PPS

Port connection [mm]	Orifice Diaphragm size [mm]	Orifice Diaphragm size [inch]	K _v value water [m ³ /h]	Pressure range at +20 °C [bar]	Article no. EPDM diaphragm	Article no. EPDM/PTFE diaphragm
Body in PVC						
True union connection						
20	15	½	3.5	0...10	296103	144764
25	20	¾	7.2	0...10	317230	144765
32	25	1	12.5	0...10	317231	144766
40	32	1¼	19.0	0...10	317232	144767
50	40	1½	28.0	0...10	317233	144768
63	50	2	40.0	0...7	317234	144769
Body in PP						
True union connection						
20	15	½	3.5	0...10	317218	144788
25	20	¾	7.2	0...10	317219	144789
32	25	1	12.5	0...10	317220	144790
40	32	1¼	19.0	0...10	317221	144791
50	40	1½	28.0	0...10	317222	144792
63	50	2	40.0	0...7	317223	144793
Spigot connection						
20	15	½	3.5	0...10	317224	144800
25	20	¾	7.2	0...10	317225	144801
32	25	1	12.5	0...10	317226	144802
40	32	1¼	19.0	0...10	317227	144803
50	40	1½	28.0	0...10	317228	144804
63	50	2	40.0	0...7	317229	144805
Body in PVDF						
True union connection						
20	15	½	3.5	0...10	317206	144812
25	20	¾	7.2	0...10	317207	144813
32	25	1	12.5	0...10	317208	144814
40	32	1¼	19.0	0...10	317209	144815
50	40	1½	28.0	0...10	317210	144816
63	50	2	40.0	0...7	317211	144817
Spigot connection						
20	15	½	3.5	0...10	317212	144824
25	20	¾	7.2	0...10	317213	144825
32	25	1	12.5	0...10	317214	144826
40	32	1¼	19.0	0...10	317215	144827
50	40	1½	28.0	0...10	317216	144828
63	50	2	40.0	0...7	317217	144829

Note: The permissible nominal pressure falls with increasing medium temperature (see Pressure-temperature chart next page).

Further versions on request

Material
Sealing: FKM

Port connection
– Orifice 65...100
– PVC housing spigot

Additional
Versions with locking function

To find your nearest Bürkert facility, click on the orange box →

www.burkert.com

In case of special application conditions,
please consult for advice.

Subject to alteration.
© Christian Bürkert GmbH & Co. KG

1801/11_EU-en_00891912