



2/2 way Diaphragm Control Valve, plastic body, pneumatically operated, DN15-100

- The perfect control valve for highest demands
- Hermetical separation of fluids from operator mechanism by diaphragm
- Self draining and zero dead volume
- Suitable for aggressive and corrosive fluids

Type 2730 can be combined with ...



Type 8692/8693
Positioner / Process
Controller TopControl



Type 8694
Positioner
TopControl Basic



Type 8635
Positioner SideControl



Type 8792/93
SideControl
Remote-Versions



Type 8030
Flow sensor

The diaphragm control valve Type 2730 consists of a pneumatically operated piston actuator, a diaphragm and a 2-way valve housing made of plastic. The actuator has been designed so that the stroke can be continuously changed. This makes a favourable characteristic possible for the continuous change of the flow.

Type 2730 can be actuated by the 8694/8692/8693 TopControl or SideControl Type 8635 or SideControls 8792/93 Remote version forming a mechanical and functional unit and thus offering a complete control valve system. Using this control valve, continuous regulation tasks for fluids can be solved.

Technical data	
Orifice (diaphragm size)	DN15 - 100
Materials	
Body	PVC (PP and PVDF on request) PP (PVC and PVDF on request) PVC
Actuator	PA (polyamide)
Sealing materials	EPDM, PTFE/EPDM
Process media	For neutral gases or liquids, aggressive or abrasive fluids
Viscosity	Up to viscous
Media temperature	see chart p. 2
Ambient temperature	- 10 to + 60 °C
Control medium (for coupling with a positioner)	Instrumental air class 3 acc. DIN ISO 8573-1
Pilot pressure	5.5 to 7 bar Actuators Ø80 to 125 mm 5 to 6 bar Actuators Ø175 and 225 mm
Threads for pilot air	G ¼ stainless steel (St.St.)
Flow characteristic	see chart p. 2
Port connections	DN15 - 50: True union and Spigot DN65: Loose flange DN80 - 100: Flange
Installation	As required, preferably with actuator in upright position

Content



Valve specifications

Type 2730

Technical data &
ordering info.

p. 1-4



System spec. Continuous CLASSIC

Type 8802-DC

Ordering info. & technical data

p.5-11

Request for quotation

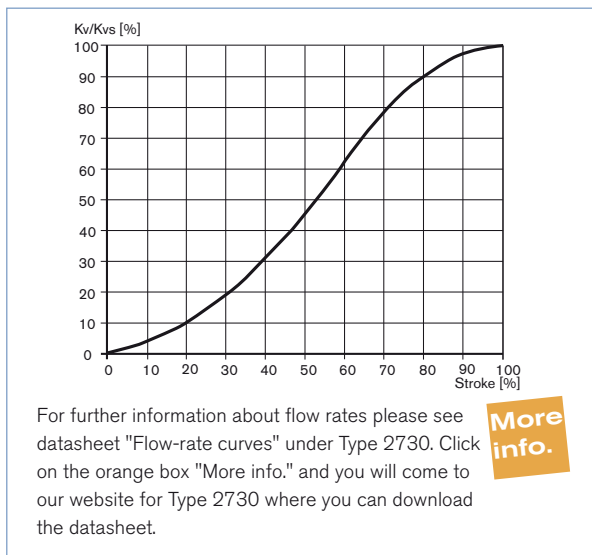
Type 8802-DC

p.12-13

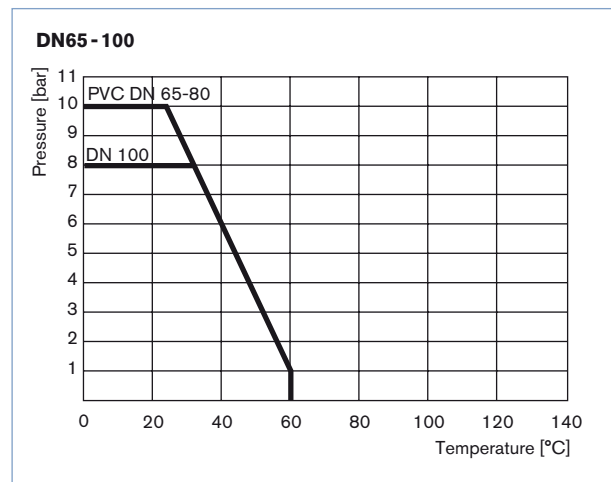
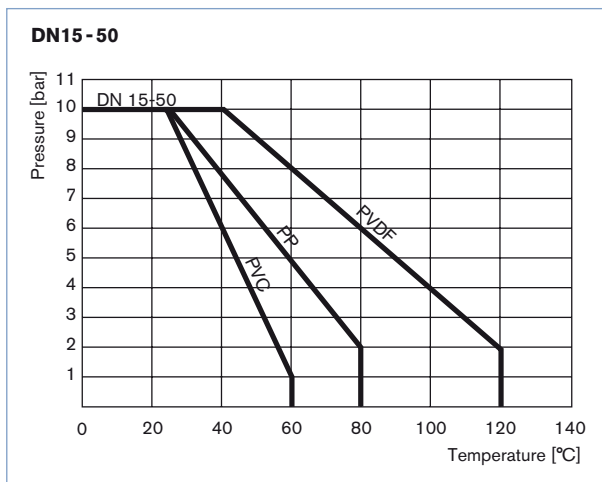
Technical data, continued

Orifice [mm] (diaphragm size)	Actuator size [mm]	K _{vs} value [m ³ /h]
15	80	4.0
20	80	7.0
25	80	12.5
32	100	19.0
40	125	27.0
50	125	45.0
65	125	55.0
	175	60.0
80	175	105.0
	225	105.0
100	175	160.0
	225	160.0

Flow characteristic



Pressure-temperature compatibility

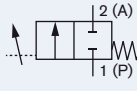
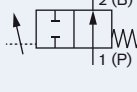
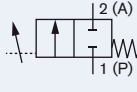
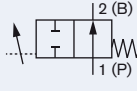


Important for the material selection!

Note that the permissible operating pressure is dependent on the media temperature

Ordering chart for valves (other versions on request)

Actuator in polyamide, PVC body with true union connection and flange connection (\geq DN65), PP body with spigot connection (For approved media temperature please see chart "pressure-temperature compatibility")

Control function	Port connection [mm]	Orifice Diaphragm size [mm]	Actuator size [mm]	K_{vs} value [m ³ /h]	Operating pressure max. ¹⁾ [bar]	Article no.			
						PVC body with true union	PP body with spigot	PVC body with flange	
EPDM diaphragm material									
A  Pneumatically operated control valve, normally closed by spring force, flow direction above seat	20	15	80	4	10	262323	148250	-	
	25	20	80	7	10	262780	148251	-	
	32	25	80	12.5	10	262781	148252	-	
	40	32	100	19	10	262782	148253	-	
	50	40	125	27	10	263363	148254	-	
	63	50	125	45	8	262783	148255	-	
	Loose flange		65	125	58	7	-	-	157521
				175	60	8	-	-	157522
	Fixed flange	80	225	105	10	-	-	157526	
Fixed flange	100	225	160	8	-	-	157527		
B  Pneumatically operated control valve, normally open by spring force, flow direction above seat	20	15	80	4	10	on request	148256	-	
	25	20	80	7	10	on request	148257	-	
	32	25	80	12.5	10	262784	148258	-	
	40	32	100	19	10	on request	148259	-	
	50	40	125	27	10	262785	148260	-	
	63	50	125	45	7	262786	148261	-	
	Loose flange		65	125	58	7.5	-	-	158321
				175	60	10	-	-	158322
	Fixed flange	80	175	105	9	-	-	158323	
Fixed flange	100	175	160	7	-	-	158324		
PTFE/EPDM diaphragm material									
A  Pneumatically operated control valve, normally closed by spring force, flow direction above seat	20	15	80	4	10	262331	147486	-	
	25	20	80	7	10	262323	148262	-	
	32	25	80	12.5	7.5	262787	148263	-	
	40	32	100	19	8	262788	148264	-	
	50	40	125	27	10	262789	148265	-	
	63	50	125	45	7	262779	148266	-	
	Loose flange		65	125	58	4	-	-	157529
				175	60	5	-	-	157530
	Fixed flange	80	225	105	10	-	-	157534	
Fixed flange	100	225	160	4	-	-	157535		
B  Pneumatically operated control valve, normally open by spring force, flow direction above seat	20	15	80	4	9	on request	148267	-	
	25	20	80	7	8.5	on request	148268	-	
	32	25	80	12.5	8	on request	148269	-	
	40	32	100	19	10	on request	148270	-	
	50	40	125	27	10	on request	148271	-	
	63	50	125	45	4	on request	148272	-	
	Loose flange		65	125	58	6.5	-	-	158325
				175	60	10	-	-	158326
	Fixed flange	80	175	105	7.5	-	-	158327	
Fixed flange	100	175	160	4	-	-	158328		

¹⁾ With a pilot pressure of 5.5 bar

Further versions on request

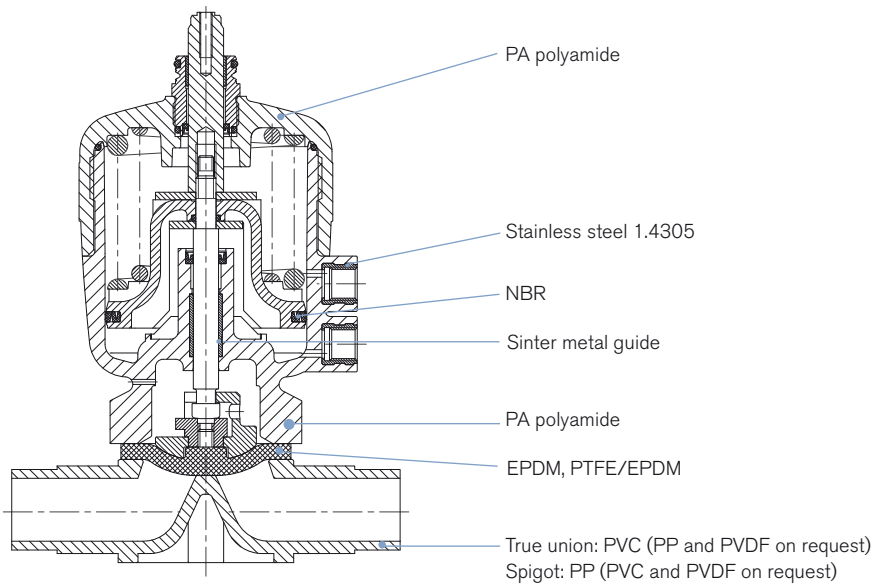


Material

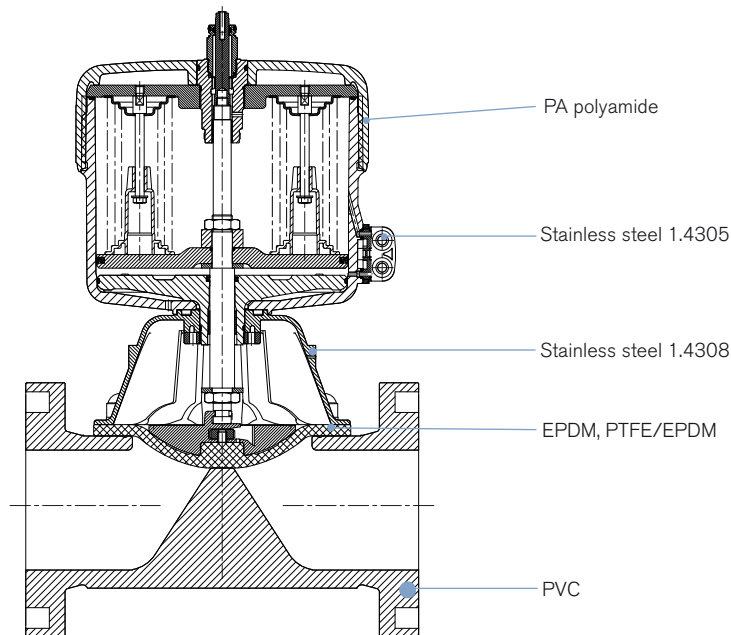
Body: PP and PVDF with true union, PVC and PVDF with spigot

Materials

DN15 - 50



DN65 - 100



Suitable for foodstuffs / sterile applications



- The composition of the EPDM and PTFE/EPDM diaphragms corresponds to the *Code of Federal Regulations*, published by the *FDA* (Food and Drug Administration, USA).
- The EPDM diaphragms correspond to the *KTW-Recommendation* (Plastics in the Drinking Water Sector), A Manufacturer's Declaration will be supplied on request.

Ordering information for valve system Continuous CLASSIC Type 8802-DC

A valve system Continuous CLASSIC Type 8802-DC consists of a diaphragm control valve Type 2730 and a digital electropneumatic Positioner Type 8692, a digital electropneumatic Process Controller Type 8693, a digital electropneumatic Positioner Basic Type 8694 (below) or a SideControl Type 8635 or an electropneumatic positioner Type 8792/8793 (next page) (see separate datasheets).

For the configuration of further valve systems please use the "Request for quotation" on p. 12 [go to page](#)

You order two components and receive a complete assembled and certified valve.

Ordering the valve system Continuous CLASSIC Type 8802-DC

Diaphragm control valve Type 2730



Positioner



Positioner
Type 8692



Process Controller
Type 8693



Positioner Basic
Type 8694

Diaphragm control valve with desired control unit



Valve system
Continuous
CLASSIC
Type 8802-DC-I
2730 + 8692



Valve system
Continuous
CLASSIC
Type 8802-DC-J
2730 + 8693



Valve system
Continuous
CLASSIC
Type 8802-DC-L
2730 + 8694

Positioner TopControl Type 8692

More info.



Process Controller TopControl Type 8693

More info.



The new generation of integrated positioners/process controllers for combination with actuators from the process valve series Type 23xx/2103 is specially designed for the requirements of hygienic process environments. The easy handling and the selection of additional software functions are done either on a big graphic display with backlight and keypad or via a PC interface. A contact-free analogue position sensor registers the valve position without deterioration. Single-acting or double-acting actuators are controlled via the integral positioner system. With Type 8693, the process controller function is superimposed on the position control loop. Profibus DPV1 and DeviceNet communication interfaces are available as options.

Main customer benefits:

- Compact design of the valve system with integrated positioner/process controller meets the demands for plant washdown environments through the selection of materials, external seals and integrated control air supply to the actuator
- Extremely simple commissioning and operation thanks to the backlighting of the graphics display and proven multilingual software structure
- Automatic parameterisation of the positioner and process controller using the TUNE functions
- Field bus communication via Profibus DPV1 or DeviceNet
- Air intake filter enhances the process valve system availability
- Simple and reliable actuator adaption
- Explosion-proof models for zone 2/22

Positioner TopControl Basic Type 8694

More info.



The new generation of integrated positioners for combination with actuators from the process valve series Type 23xx/2103 is specially designed for the requirements of hygienic process environments. The operation and selection of the software functions close tight function, inversion of the operating direction of the setpoint signal, characteristic curves selection and switching manual/automatic operation are effected via push-buttons and DIP switches or via the PC interface. The position setpoint is set using the standard signal 4 - 20 mA. In addition, the enable can be controlled via the binary input and an optional position feedback can be integrated. The positioner, Type 8694, registers the valve position without deterioration through a contact-free analogue position sensor. Single-acting or double-acting actuators are controlled via the integral positioner system. An AS-Interface communication interface is available as an option.

Main customer benefits:

- Compact design of the valve system with integrated positioner meets the demands for plant washdown environments through the selection of materials, external seals and integrated control air supply to the actuator
- Automatic parameterisation of the process controller using the Process TUNE function
- Field bus communication via optional AS-Interface
- Air intake filter enhances the process valve system availability
- Simple and reliable actuator adaption allowing additional actuators of the process valve series, Type 20xx or actuators from other manufacturers to be used
- Explosion-proof models for zone 2/22

Click on the orange box "More info"... you will come to our website for the resp. product where you can download the data sheet.

Ordering information for valve system Continuous CLASSIC Type 8802-DC, *continued*

A **valve system Continuous CLASSIC Type 8802-DC** consists of a **diaphragm control valve Type 2730** and a digital electropneumatic Positioner **Type 8692**, a digital electropneumatic Process Controller **Type 8693**, a digital electropneumatic Positioner Basic **Type 8694** (previous page) or a SideControl **Type 8635** or an electropneumatic positioner **Type 8792/8793** (below) (see separate datasheets).

For the configuration of further valve systems please use the "Request for quotation" on p. 12 [go to page](#)

You order two components and receive a complete assembled and certified valve.

Ordering the valve system Continuous CLASSIC Type 8802-DC

Diaphragm control valve
Type 2730



Positioner



Positioner/
 Prozessregler
 Typ 8635



Positioner Typ 8792
 Prozessregler Typ 8793

Diaphragm control valve
with desired control unit



Valve system
Continuous CLASSIC
Type 8802-DC-B
2730 + 8635



Valve system
Continuous CLASSIC
Type 8802-DC-P
2730 + 8792 /
Type 8802-DC-Q
2730 + 8793

SideControl Type 8635, 2-wire,
intrinsically safe

[More info.](#)



4-20 mA



Type 8635 is a digital electro-pneumatic positioner with an optional, integrated process controller for precise control requirements. The compact design with integrated position encoder and LCD display was developed for demanding applications of the process industry.

Main customer benefits are:

- Time saving algorithms for temperature, flow and pressure PID parameters through ProcessTUNE function.
- Quick and simple menu driven parameterization through keyboard or Profibus PA
- Remote setpoint adjustment via a 4-20 mA signal
- Adaptation according to IEC534-6 for lift and swivel drives
- Rugged anodised aluminium housing
- Suitable for hazardous locations per zone 1, zone 21 or zone 2 and 22

Positioner SideControl Type 8792

[More info.](#)

Process Controller SideControl Type 8793

[More info.](#)



Type 8792/8793 is a digital electro-pneumatic positioner with an optional, integrated process controller (8793) for precise control requirements. The compact design with integrated position encoder and LCD display was developed for demanding applications of the process industry. A Profibus DPV1 communication interface is available as an option.

Main customer benefits are:

- Time saving algorithms for temperature, flow and pressure PID parameters through ProcessTUNE function.
- Quick and simple menu driven parameterization through keyboard or Profibus DPV1 PA
- Adaption acc. to IEC534-6 and VDI/VDE 3845 for lift and swivel drives or as a Remote version together with Bürkert process valves
- Rugged anodised aluminium housing
- Suitable for hazardous locations per zone 2/22

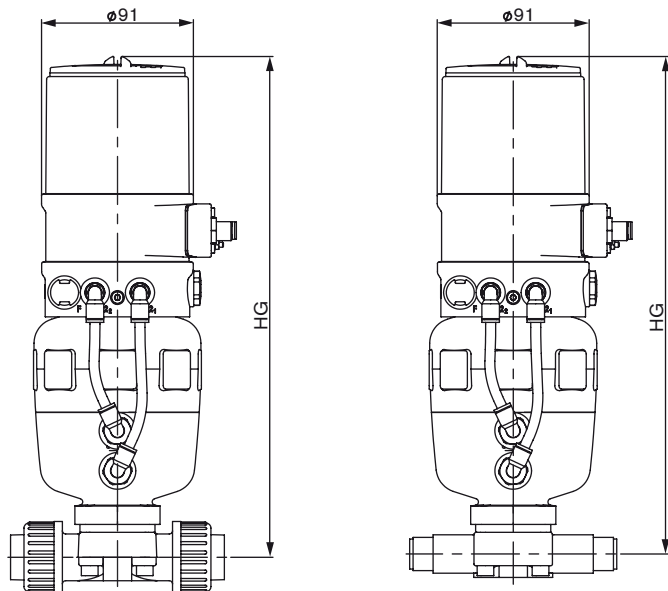
Click on the orange box "More info"... you will come to our website for the resp. product where you can download the data sheet.

Dimensions for valve system Continuous CLASSIC Type 8802-DC [mm]

Dimensions valve system Continuous CLASSIC Type 8802-DC-I with positioner TopControl Type 8692 or 8802-DC-J with process controller TopControl Type 8693 [mm]

PVC body with true union connection

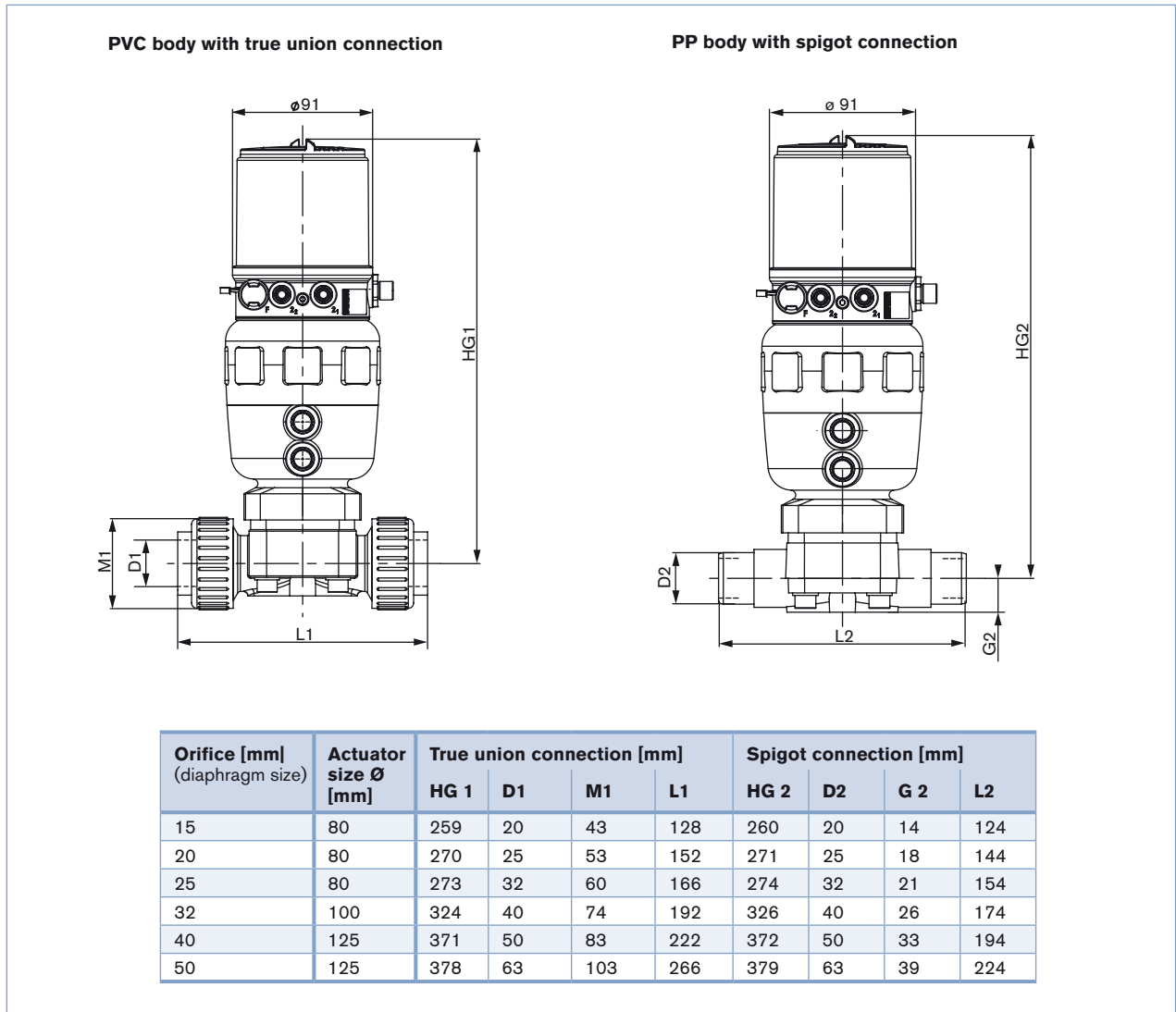
PP body with spigot connection



Orifice [mm] (diaphragm size)	Actuator size Ø [mm]	HG [mm]
15	80	300
20	80	311
25	80	314
32	100	366
40	125	412
50	125	419
65	125	430
	175	531
80	175	542
	225	537
100	175	559
	225	554

Dimensions for valve system Continuous CLASSIC Type 8802-DC [mm], *continued*

Dimensions valve system Continuous CLASSIC Type 8802-DC-L with positioner TopControl Basic Type 8694 [mm]

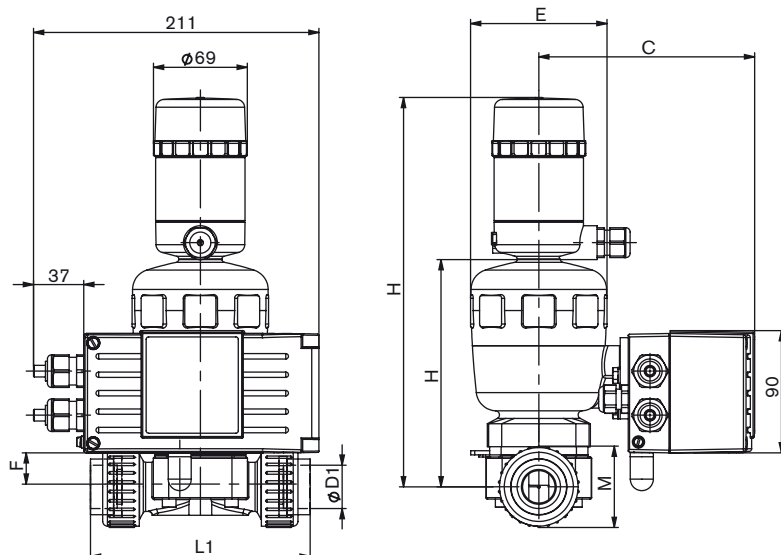


Dimensions for valve system Continuous CLASSIC Type 8802-DC [mm], *continued*

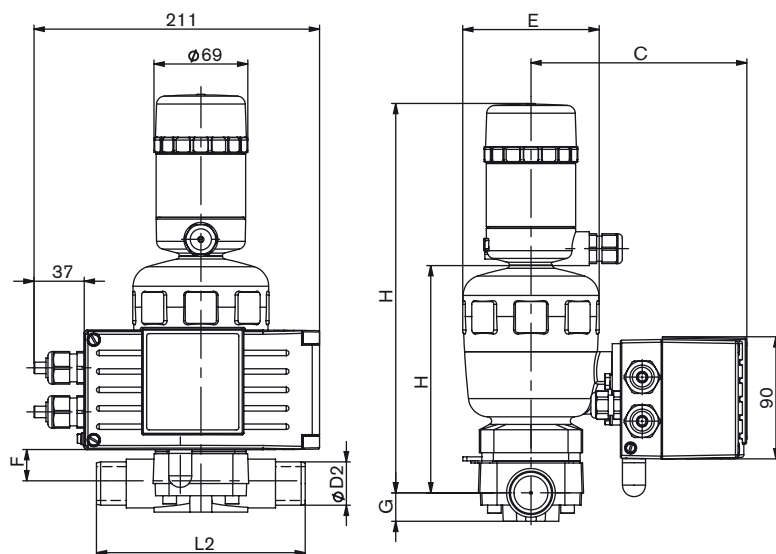
Dimensions valve system Continuous CLASSIC Type 8802-DC-B with positioner SideControl Type 8635 [mm]

DN15 - 50

PVC body with true union connection



PP body with spigot connection



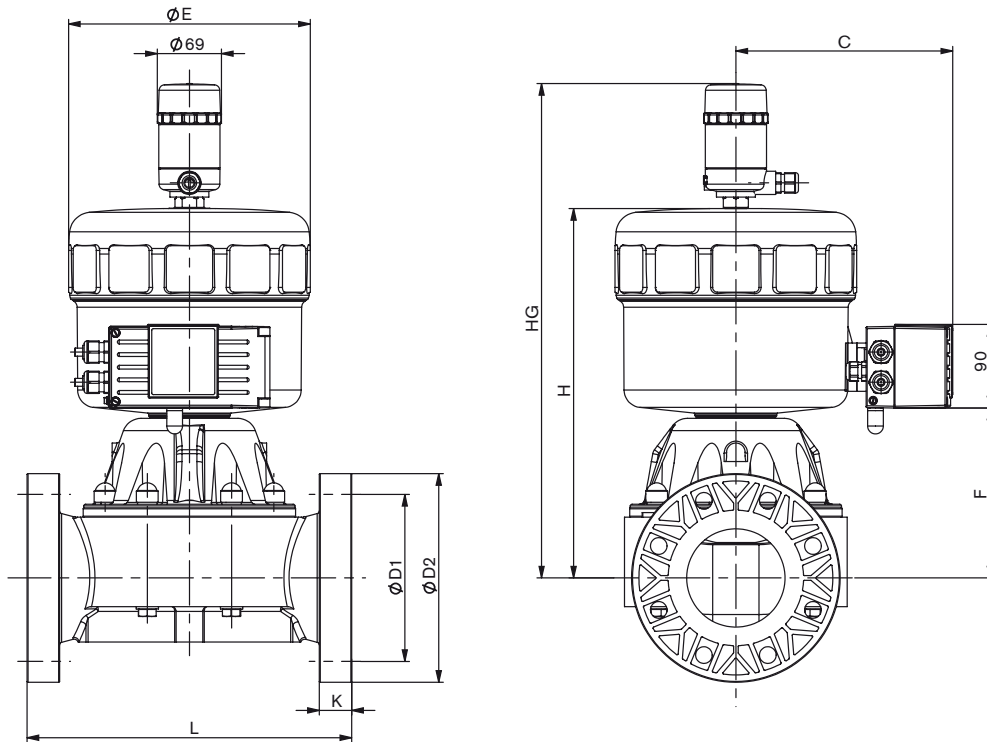
All bodies [mm]							PVC with true union connection [mm]			PP with spigot connection [mm]		
Orifice (diaphragm size)	Actuator size	E	F	C	H	HG	D1	L1	M	D2	G	L2
15	80	101	14	159	127	247	20	128	43	20	14	124
20	80	101	18	159	161	281	25	152	53	25	18	144
25	80	101	23	159	164	284	32	166	60	32	21	154
32	100	127	40	172	216	336	40	192	74	40	26	174
40	125	153	50	185	262	382	50	222	83	50	33	194
50	125	153	54	185	269	389	63	266	103	63	39	224

Dimensions for valve system Continuous CLASSIC Type 8802-DC [mm], *continued*

Dimensions valve system Continuous CLASSIC Type 8802-DC-B with positioner SideControl Type 8635 [mm]

DN65 - 100

PVC body with flange connection

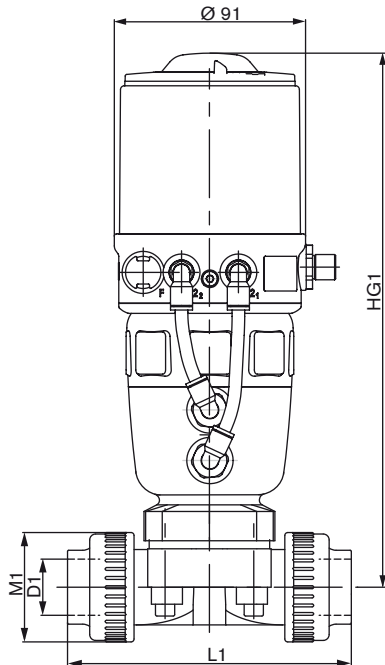


Orifice [mm] (diaphragm size)	Actuator size [mm]	Port connection	E [mm]	C [mm]	D1 [mm]	D2 [mm]	F [mm]	H [mm]	HG [mm]	K [mm]	L [mm]
65	125	Loose flanges	158	190	145	185	75	280	400	29	290
	175	Loose flanges	211	215	145	185	150	376	510	29	290
80	175	Fixed flanges	211	215	160	200	170	387	521	36	310
	225	Fixed flanges	261	240	160	200	175	382	516	36	310
100	175	Fixed flanges	211	215	180	225	180	404	538	36	350
	225	Fixed flanges	261	235	180	225	185	399	533	36	350

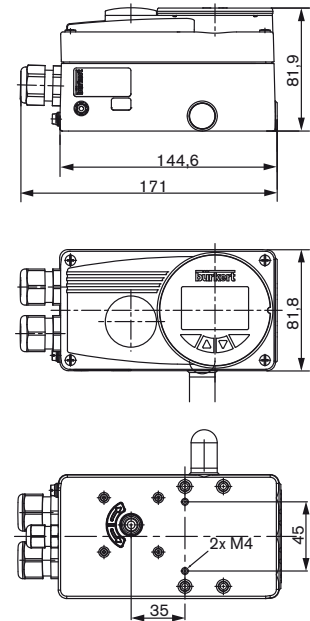
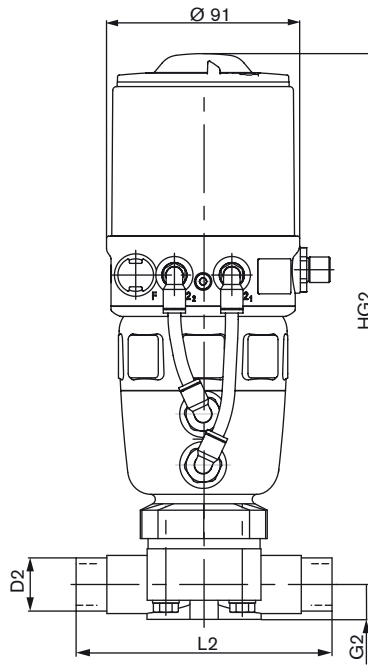
Dimensions for valve system Continuous CLASSIC Type 8802-DC [mm], *continued*

Dimensions valve system Continuous CLASSIC Type 8802-DC-P with Positioner SideControl Remote Type 8792 and Type 8802-DC-Q with Process Controller SideControl Remote Type 8793 [mm]

PVC body with true union connection



PP body with spigot connection



Orifice [mm] (diaphragm size)	Actuator size Ø [mm]	PVC with true union conn. [mm]				PP with spigot conn. [mm]			
		HG 1	D1	M1	L1	HG 2	D2	G 2	L2
15	80	259	20	43	128	260	20	14	124
20	80	270	25	53	152	271	25	18	144
25	80	273	32	60	166	274	32	21	154
32	100	324	40	74	192	326	40	26	174
40	125	371	50	83	222	372	50	33	194
50	125	378	63	103	266	379	63	39	224

Note

You can fill out the fields directly in the PDF file before printing out the form.

Valve system Continuous CLASSIC Type 8802-DC - Request for quotation

Please fill out and send to your nearest Bürkert facility* with your inquiry or order

Company	Contact person
Customer no.	Department
Address	Tel./Fax
Postcode/town	E-Mail

= mandatory fields to fill out

Quantity

Required delivery date

Operating data

Site of control	<input type="text"/>			
Measuring and control task	<input type="text"/>			
Pipeline	DN <input type="text"/>	PN <input type="text"/>		
Pipe material	<input type="text"/>			
Process medium	<input type="text"/>			
Type of media	<input type="checkbox"/> Liquid	<input type="checkbox"/> Gas		
	min	standard	max	unit
Flow rate (Q, Q _N , W) ¹⁾	<input type="text"/>	<input type="text"/>	<input type="text"/>	<input type="text"/>
Temperature at valve inlet T1	<input type="text"/>	<input type="text"/>	<input type="text"/>	<input type="text"/>
Absolute pressure at valve inlet P1	<input type="text"/>	<input type="text"/>	<input type="text"/>	<input type="text"/>
Absolute pressure at valve outlet P2	<input type="text"/>	<input type="text"/>	<input type="text"/>	<input type="text"/>
Kinematic viscosity (ν)	<input type="text"/>	mm ² /s or cSt		
Dynamic viscosity (η)	<input type="text"/>	mPa.s or cP		
Standard density	<input type="text"/>	Kg/m ³		
Max. sound level accepted	<input type="text"/>	dB (A)		

¹⁾ standard unit: Liquid Q = m³/h; Steam W = kg/h; Gas Q_N = Nm³/h

Valve features

Body material	<input type="checkbox"/> PVC	<input type="checkbox"/> PP	<input type="checkbox"/> PVDF	<input type="checkbox"/> Other <input type="text"/>
Seat sealing material	<input type="checkbox"/> PTFE	<input type="checkbox"/> EPDM		
Nominal pressure	PN <input type="text"/>			
Nominal size	DN <input type="text"/>			
Type of connection	<input type="checkbox"/> Flange	<input type="checkbox"/> True union	<input type="checkbox"/> Spigot	
Standard connection	<input type="checkbox"/> ISO	<input type="checkbox"/> DIN	<input type="checkbox"/> ANSI	<input type="checkbox"/> JIS <input type="checkbox"/> Other <input type="text"/>
Function	<input type="checkbox"/> NC ²⁾	<input type="checkbox"/> NO ²⁾	<input type="checkbox"/> Double-acting	
Pilot pressure	<input type="text"/> min.	<input type="text"/> max.		

²⁾ NC: normally closed by spring action; NO: normally open by spring action

Continued on next page →

Valve system Continuous CLASSIC Type 8802-DC - Request for quotation, *continued*

Control unit features	
<input type="checkbox"/> Positioner TopControl Type 8692 More info.	<input type="checkbox"/> Process Controller TopControl Type 8693 More info.
<input type="checkbox"/> Positioner TopControl Basic Type 8694 More info.	
Pneumatic function <input type="checkbox"/> Single-acting <input type="checkbox"/> Double-acting Communication <input type="checkbox"/> Profibus <input type="checkbox"/> DeviceNet Electrical connection <input type="checkbox"/> Cable gland <input type="checkbox"/> Multipol connection Feedback <input type="checkbox"/> 4-20 mA <input type="checkbox"/> 4-20 mA + 2 binary outputs Initiator <input type="checkbox"/> Initiator Please specify Article no. if known: <input type="text"/>	Pneumatic function <input type="checkbox"/> Single-acting Pilot air ports: <input type="checkbox"/> Push-in connector external Ø 6 mm or ¼" <input type="checkbox"/> Thread G ½" Electrical connection <input type="checkbox"/> Cable gland <input type="checkbox"/> Multipol connection Feedback <input type="checkbox"/> 4-20 mA Please specify Article no. if known: <input type="text"/>

<input type="checkbox"/> Positioner SideControl Remote Type 8792 More info.	<input type="checkbox"/> Process Controller Side-Control Remote Type 8793 More info.	<input type="checkbox"/> Positioner SideControl Type 8635 – 2-wire More info.
Power supply 24 V DC Communication <input type="checkbox"/> without <input type="checkbox"/> Profibus DPV1 Feedback <input type="checkbox"/> Analogue feedback + 2 binary outputs <input type="checkbox"/> 2 binary outputs Electrical connection <input type="checkbox"/> Cable gland <input type="checkbox"/> Multipol connection Please specify Article no. if known: <input type="text"/>	<input type="checkbox"/> Standard <input type="checkbox"/> ATEX/FM Zone 1 <input type="checkbox"/> Zone 2/22 Power supply 24 V DC via Setpoint or BUS Communication Setpoint / feedback analogue signal or via BUS <input type="checkbox"/> Profibus PA <input type="checkbox"/> Positioner version Input 4-20 mA Feedback <input type="checkbox"/> 4-20 mA <i>or/and</i> <input type="checkbox"/> Binary <input type="checkbox"/> PID Controller version³⁾ Input measuring signal 4-20 mA Inductive proximity switch <input type="checkbox"/> 1 <input type="checkbox"/> 2 Please specify Article no. if known: <input type="text"/>	

³⁾ same setpoint for input and feedback signal as for Positioner version

Comments