

## 2/2- and 3/2 way Ball Valve with manual override, plastic body, DN10-100



- Application for aggressive media
- High flow-rate
- Safe blocked union nuts with Dual Block® Technology<sup>1)</sup>

Type 2657 can be combined with...



**Typ 2050**

Pneumatic actuator



**Type 3003**

Electric actuator

2/2- and 3/2 way ball valves with manual override in plastic for separating medium flow. There are different body versions and materials can be ordered to suit various applications.

### Special feature

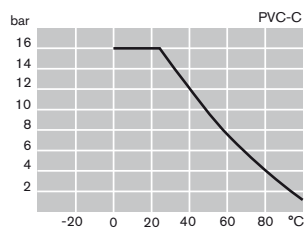
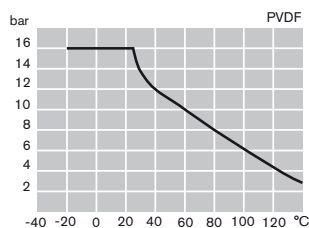
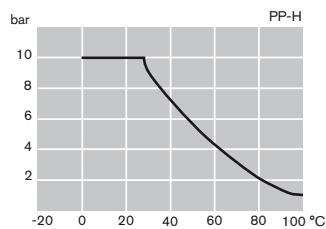
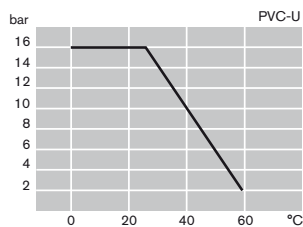
The ball valves are equipped with the so-called Dual Block® Technology. This system serves as a safety device for the union nuts. It prevents these separating during operation.

### Technical Data

<b>Body material</b>	PVC-U, PP (PVDF, PVC-C on request)
<b>Seal material</b>	PTFE / EPDM, PTFE / FKM
<b>Media temperature</b>	(see diagram on p <sup>2)</sup>
PVC-U	0 to +60 °C
PP	+10 to +80 °C
PVDF	0 to +120 °C
<b>Port connection</b>	
PVC-U	True union
PP, (PVDF on request)	Fusion spigot
<b>Operating pressure</b>	0-10 bar; 0-16 bar

<sup>1)</sup> Dual Block® Technology is a registered trademark of FIP - Formatura Iniezione Polimeri S.p.A

### Pressure Temperature Chart



## Ordering chart 2/2 way Ball Valve (further versions on request)

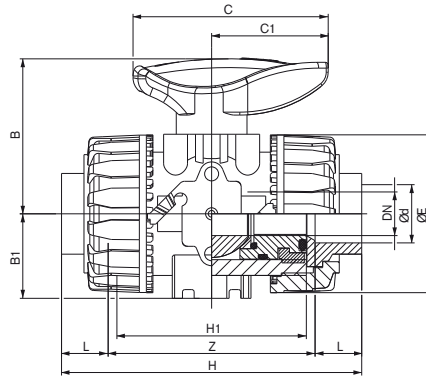
Orifice [mm]	Port connection Ø [mm]	$k_{vs}$ value for water [m <sup>3</sup> /h]	Pressure range PVC-U, PVDF [bar]	Pressure range PP [bar]	Article no. true union PVC	Article no. fusion spigot PP
<b>Seal material PTFE/EPDM</b>						
10	16	4.8	0-16	0-10	176462	176469
15	20	12	0-16	0-10	176463	176470
20	25	23	0-16	0-10	176464	176471
25	32	46	0-16	0-10	176465	176472
32	40	66	0-16	0-10	176466	176473
40	50	105	0-16	0-10	176467	176474
50	63	204	0-16	0-10	176468	176475
65	75	315	0-16	0-10	202660	252587
80	90	426	0-16	0-10	185991	238514
100	110	570	0-16	0-10	202750	254604
<b>Seal material PTFE/FKM</b>						
10	16	4.8	0-16	0-10	176476	176483
15	20	12	0-16	0-10	176477	176484
20	25	23	0-16	0-10	176478	176485
25	32	46	0-16	0-10	176479	176486
32	40	66	0-16	0-10	176480	176487
40	50	105	0-16	0-10	176481	176488
50	63	204	0-16	0-10	176482	176489
65	75	315	0-16	0-10	182519	on request
80	90	426	0-16	0-10	185855	on request
100	110	570	0-16	0-10	205537	on request

## Ordering chart 3/2 way Ball Valve, PVC (further versions on request)

Switched position	Orifice [mm]	Port connection Ø [mm]	$k_{vs}$ value for water [m <sup>3</sup> /h]	Pressure range PP [bar]	Article no. seal material EPDM	Article no. seal material FKM
T1  0°  90°	10	16	1.5	0-16	209890	186022
	15	20	2.1	0-16	209891	186023
	20	25	5.7	0-16	209892	186024
	25	32	8.4	0-16	209893	186025
	32	40	16.2	0-16	209894	186026
	40	50	19.8	0-16	209895	186027
L4  0°  90°	10	16	2.8	0-16	209897	186015
	15	20	4.3	0-16	209898	186016
	20	25	9.0	0-16	209899	186017
	25	32	15.9	0-16	209900	186018
	32	40	28.5	0-16	202689	186019
	40	50	37.2	0-16	209901	186020
	50	63	67.2	0-16	209902	186021

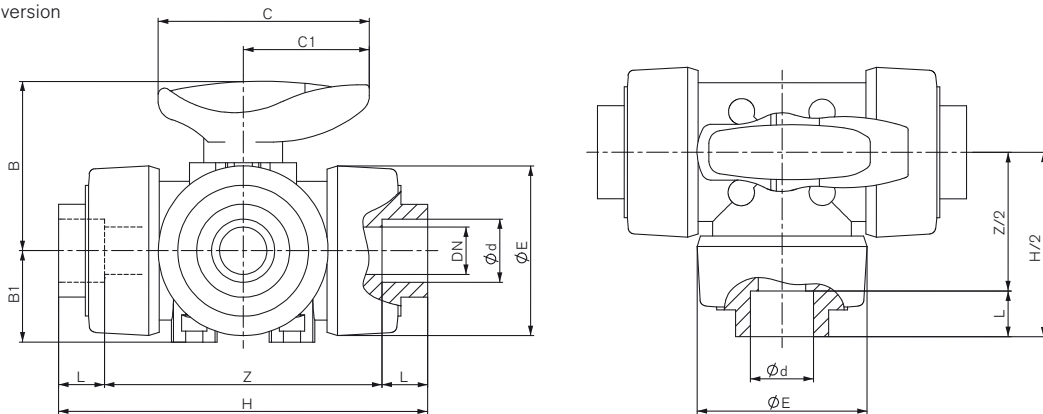
## Dimensions [mm]

2/2 way version



Ød	DN	L	Z	H	H1	ØE	B	B1	C	C1	Weight [g]
16	10	14	75	103	65	54	54	29	67	40	215
20	15	16	71	103	65	54	54	29	67	40	205
25	20	19	77	115	70	65	65	34.5	85	49	330
32	25	22	84	128	78	73	69.5	39	85	49	438
40	32	26	94	146	88	86	82.5	46	108	64	693
50	40	31	102	164	93	98	89	52	108	64	925
63	50	38	123	199	111	122	108	62	134	76	1577
75	65	44	147	235	133	164	164	87	225	175	4380
90	80	51	168	270	149	203	177	105	327	272	7200
110	100	61	186	308	167	238	195	129	385	330	11141

3/2 way version



Ød	DN	L	Z	H	ØE	B	B1	C	C1	Weight [g]
16	10	14	90	118	54	54	29	67	40	310
20	15	16	86	118	54	54	29	67	40	310
25	20	19	107	145	65	65	34.5	85	49	550
32	25	22	116	160	73	69.5	39	85	49	790
40	32	26	136.5	188.5	86	82.5	46	108	64	1275
50	40	31	157	219	98	89	52	108	64	1660
63	50	38	190.5	266.5	122	108	62	134	76	2800

To find your nearest Bürkert facility, click on the orange box → [www.burkert.com](http://www.burkert.com)In case of special application conditions,  
please consult for adviceSubject to alteration.  
© Christian Bürkert GmbH & Co. KG

1801/8\_EU-en\_00891693