

## Robolux Multiway Multiport Diaphragm Valve, Pneumatically operated



- Allows optimized processes designs
- Reduced installation costs
- Reduced number of valves and welds
- Stainless steel bodies in different configurations
- Approvals FDA, CE, USP VI, ATEX, 3.1

Type 2036 can be combined with...



**Type 8685**  
Position feedback head



**Type 8686**  
Control head



**Type 2103**  
Diaphragm valve



**Type 2034**  
Multifunction Block and Weld Solution



**Type 2104**  
T-valve ELEMENT



**Type 2105**  
Tank bottom valve ELEMENT

This Multiway-Multiport Diaphragm Valve system is designed for control of ultra pure, sterile, aseptic and steam/CIP fluid paths. It enables optimal sampling, draining or diverting of critical process fluids.

The valve range is based on the patented Robolux technology, where two seats are placed under one diaphragm. This design eliminates dead legs and will minimize the flow system volume.

The valve body is machined from a single piece of bar stock stainless steel. The high quality diaphragms are available in several different USP class VI approved materials. The valve is operated with compressed air.

With the Feedback and Control Heads the Robolux fits perfectly into Bürkert's decentralized automation concept.

All valves will be delivered with 3.1 certificate, installation drawing and manual instruction.

Technical data	
<b>Port connection size</b>	¼" to 2", DN4...DN50
<b>Materials</b> Valve body Diaphragm	1.4435 stainless steel (316L) EPDM (AD), advanced PTFE/EPDM laminated (EK), GYLON®/EPDM laminated (ER) on request
Actuator	1.4308 stainless steel (CF8)
<b>End connections</b> Weld end	DIN EN ISO 1127 / ISO 4200 / DIN 11866 series B DIN 11850 Reihe 2 / DIN 11866 series A ASME BPE / DIN 11866 series C
Clamp	DIN 32676 Series A (DIN Tube) DIN 32676 Series B (ISO Tube) ASME BPE
<b>Surface quality</b> internally mechanically polished internally electropolished	Ra ≤ 0.5 µm (ASME BPE SF <sup>1)</sup> (external Ra ≤ 1.6 µm) Ra ≤ 0.38 µm (ASME BPE SF4 / DIN HE4) (external Ra ≤ 1.6 µm) (others on request)
<b>Medium pressure</b>	max. 8 bar <sup>1)</sup> (depending on actuator and diaphragm)
<b>Pilot pressure</b>	6 - 10 bar for RV50/70 6 - 7 bar for RV110
<b>Pilot air ports</b>	Thread G ⅛"
<b>Temperature</b> EPDM (AD) advanced PTFE/EPDM laminiert (EK) GYLON®/EPDM laminated (ER) Ambience	+ 5 ... + 130 °C (steam sterilisation + 140 °C for 60 min) + 5 ... + 90 °C (not recommended for steam) on request 0 to + 60 °C

1) Pressure data [bar]: Overpressure with respect to atmospheric pressure

## Technical data (continued)

### Approval

Certificates are delivered together with the valves.

- Valve bodies: EN ISO 10204 3.1
- ATEX Certification: PTB 13 ATEX D103 X  
II 2G c IIC T4  
II 2D c T135 °C
- Diaphragms: FDA CFR 177.2600; FDA CFR 177.1550  
USP VI (121 °C, EPDM, advanced PTFE / EPDM)

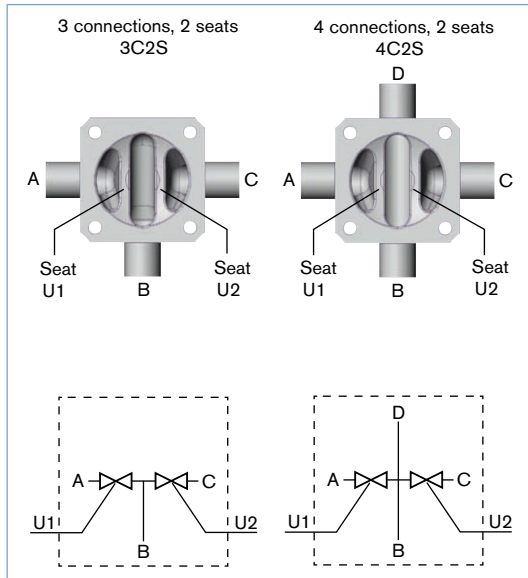
### Medium pressure

Actuator size	Actuator version (for detail see last page)	Pilot pressure [bar]	Max. operating pressure [bar]	
			EPDM	Advanced PTFE
RV50	D11	6...10	7.5	7.5
	D55 (reduce spring)	4...10	5	3.5
RV70	D11	6...10	8	8
	D55 (reduce spring)	4...10	5.5	6
RV110	D11	6...7	7	7.5
	D55 (reduce spring)	4...7	5	5

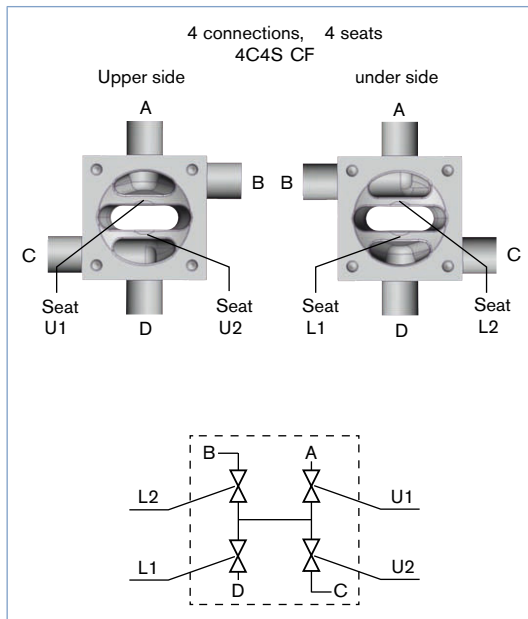
**Note:** For further information on max. operating pressure please refer to the operating instructions.

Valve symbols and flow patterns

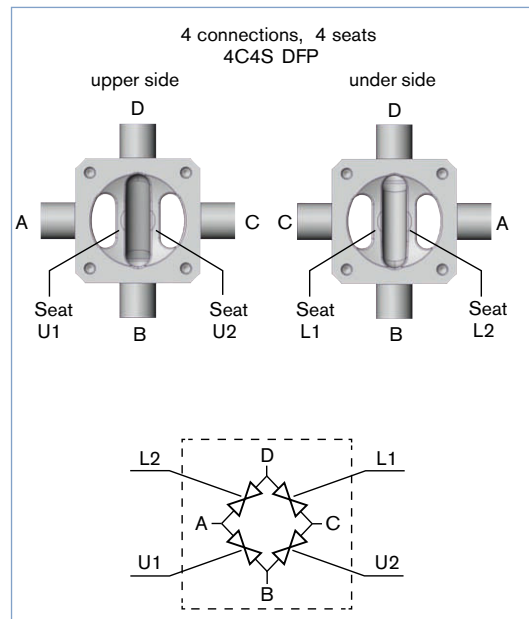
Valve symbols and flow patterns - 3C2S / 4C2S



Valve symbols and flow patterns - 4C4S CF



Valve symbols and flow patterns - 4C4S DFP

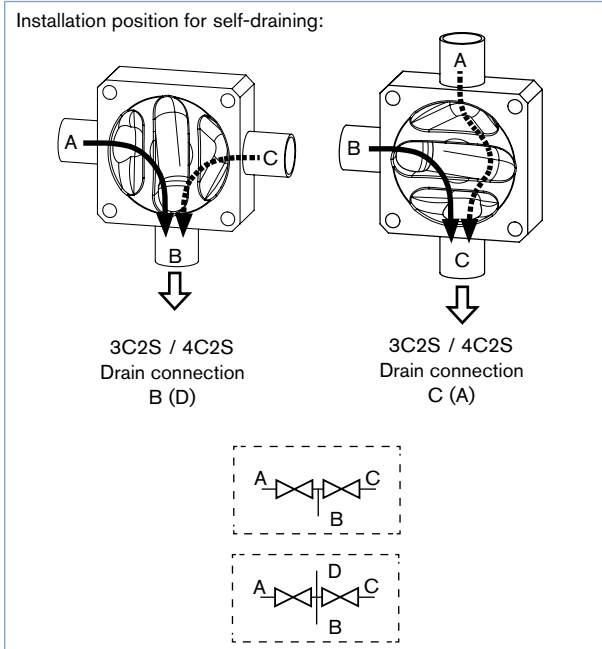


DTS 1000215411 EN Version: E Status: RL (released | freigegeben | valide) printed: 07.02.2018

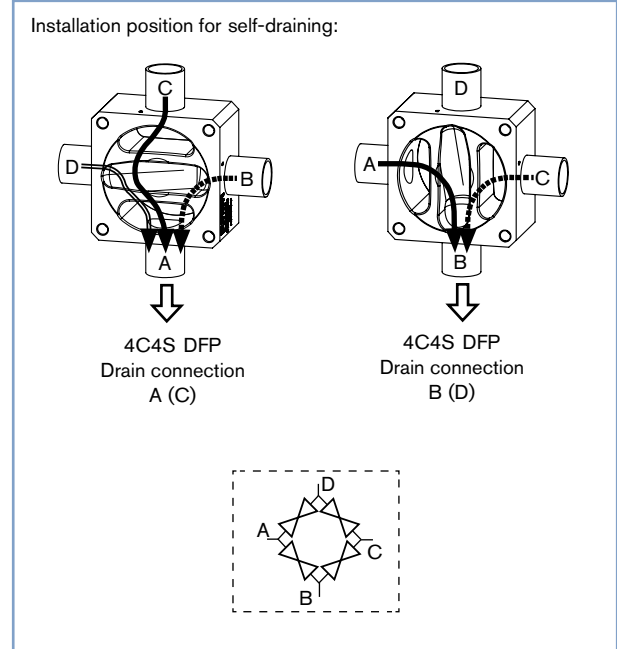
### Draining operation of the valve

The draining is achieved differently depending on the valve type. It is very important to fully understand the flow paths of each individual valve body before deciding which port/connection (marked with A, B, C or D) to select for draining. Consult with your Bürkert contact person if there are any questions. The examples below show how to get the optimum draining for the 3C2S/4C2S and 4C4S

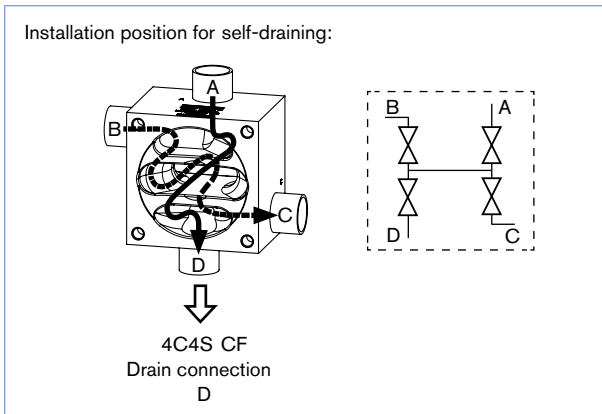
#### Self-draining 3C2S / 4C2S



#### Self-draining - 4C4S DFP

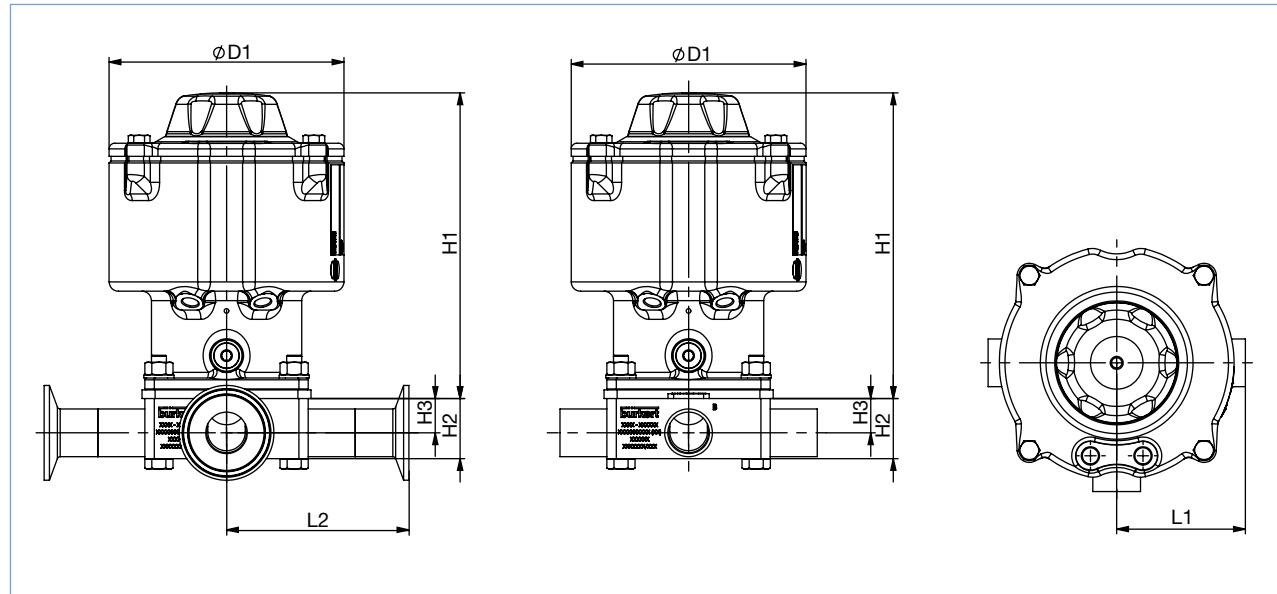


#### Self-draining 4C4S CF



## Dimensions [mm]

## 3 connections 2 seats: 3C2S and 4 connections 2 seats: 4C2S

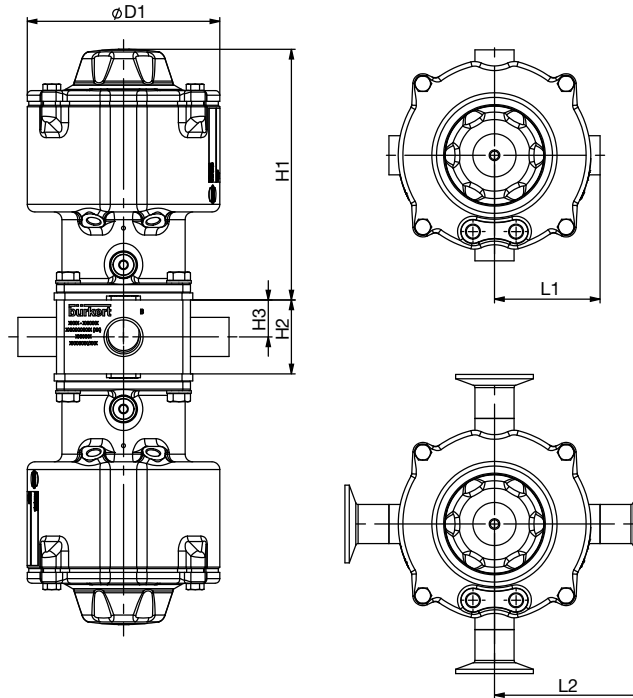


Note: Length L1 or L2 applies to all housing connections.

DN [mm]	DN [Zoll]	Actuator size	ØD1	H1	H2	H3	Weld end		Clamp	
							D x s	L1	DCI x di	L2
							<b>DIN EN ISO 1127 / ISO 4200 / DIN 11866 Series B</b>		<b>DIN 32676 Series B (ISO Tube)</b>	
6	-	RV50	83	126.5	16	9.9	10.2 × 1.6	52.5	-	-
8	-	RV50	83	126.5	16	8.3	13.5 × 1.6	52.5	25.0 × 10.3	81.1
10	-	RV50	83	126.5	21	11.4	17.2 × 1.6	52.5	25.0 × 14.0	81.1
15	-	RV50	83	126.5	26	14.4	21.3 × 1.6	52.5	50.5 × 18.1	81.1
20	-	RV70	125	162.5	32	17.6	26.9 × 1.6	68.5	50.5 × 23.7	97.1
25	-	RV110	171	193	38	20.2	33.7 × 2.0	90	50.5 × 29.7	118.6
32	-	RV110	171	193	56	33.8	42.4 × 2.0	90	64.0 × 38.4	118.6
40	-	RV110	171	193	56	30.9	48.3 × 2.0	90	64.0 × 44.3	118.6
50	-	RV110	171	193	62 (3C2S) 68 (4C2S)	30.9 (3C2S) 36.9 (4C2S)	60.3 × 2.0	90	77.5 × 56.3	118.6
							<b>DIN 11850 Series 2 / DIN 11866 Series A</b>		<b>DIN 32676 Series A (DIN Tube)</b>	
4	-	RV50	83	126.5	16	12	6.0 × 1.0	52.5	-	-
6	-	RV50	83	126.5	16	11	8.0 × 1.0	52.5	-	-
8	-	RV50	83	126.5	16	10	10.0 × 1.0	52.5	-	-
10	-	RV50	83	126.5	16	8.5	13.0 × 1.5	52.5	34.0 × 10.0	70.5
15	-	RV50	83	126.5	21	10.5	19.0 × 1.5	52.5	34.0 × 16.0	70.5
20	-	RV70	125	162.5	26	13.5	23.0 × 1.5	68.5	34.0 × 20.0	86.5
25	-	RV70	125	162.5	32	16.5	29.0 × 1.5	68.5	50.5 × 26.0	90
32	-	RV110	171	193	38	19.5	35.0 × 1.5	90	50.5 × 32.0	111.5
40	-	RV110	171	193	44	22.5	41.0 × 1.5	90	50.5 × 38.0	111.5
50	-	RV110	171	193	62	34.5	53.0 × 1.5	90	64.0 × 50.0	111.5
							<b>ASME BPE / DIN 11866 Series C</b>		<b>ASME BPE</b>	
8	¼"	RV50	83	126.5	16	11.8	6.35 × 0.89	52.5	25.0 × 4.57	81.1
10	⅜"	RV50	83	126.5	16	10.2	9.53 × 0.89	52.5	25.0 × 7.75	81.1
15	½"	RV50	83	126.5	16	8.7	12.7 × 1.65	52.5	25.0 × 9.4	81.1
20	¾"	RV50	83	126.5	21	10.5	19.05 × 1.65	52.5	25.0 × 15.75	81.1
25	1"	RV70	125	162.5	32	18.3	25.4 × 1.65	68.5	50.5 × 22.1	97.1
40	1 ½"	RV110	171	193	44	24	38.1 × 1.65	90	50.5 × 34.8	118.6
50	2"	RV110	171	193	56 (3C2C) 58 (4C2S)	29.6 (3C2C) 31.6 (4C2S)	50.8 × 1.65	90	64.0 × 47.5	118.6

## Dimensions [mm]

## 4 connections 4 seats DFP: 4C4S DFP

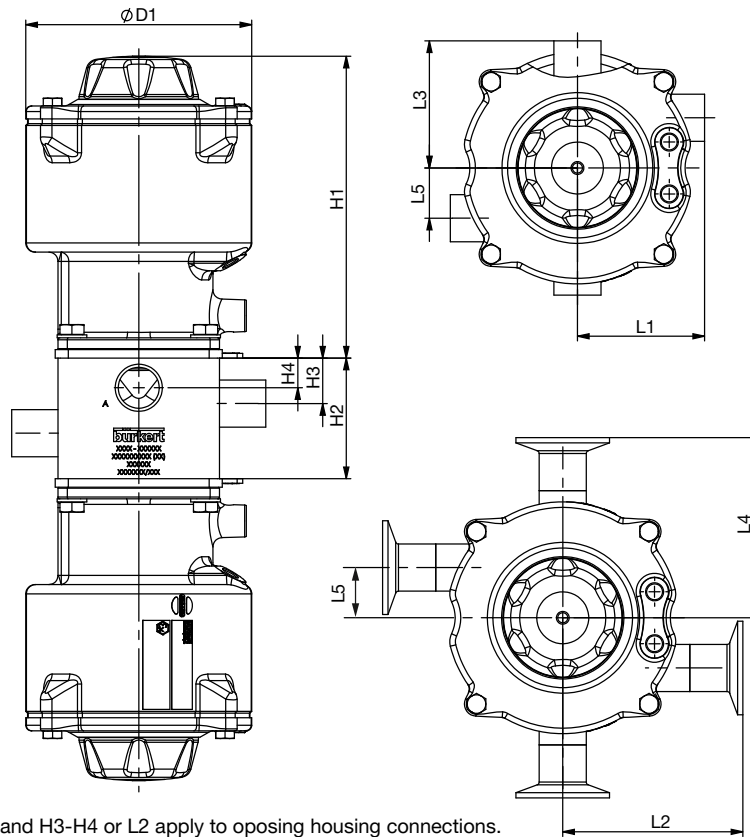


Note: Length L1 or L2 applies to all housing connections.

DN [mm]	DN [Zoll]	Actuator size	ØD1	H1	H2	H3	Weld end D x s		Clamp DCI x di	
							L1		L2	
6	-	RV50	83	126.5	28	14	10.2×1.6	52.5	-	-
8	-	RV50	83	126.5	28	14	13.5×1.6	52.5	25.0×10.3	81.1
10	-	RV50	83	126.5	34	17	17.2×1.6	52.5	25.0×14.0	81.1
15	-	RV50	83	126.5	34	17	21.3×1.6	52.5	50.5×18.1	81.1
20	-	RV70	125	162.5	48	24	26.9×1.6	68.5	50.5×23.7	97.1
25	-	RV110	171	193	65	32.5	33.7×2.0	90	50.5×29.7	118.6
32	-	RV110	171	193	65	32.5	42.4×2.0	90	64.0×38.4	118.6
40	-	RV110	171	193	70	35	48.3×2.0	90	64.0×44.3	118.6
50	-	RV110	171	193	70	35	60.3×2.0	90	77.5×56.3	118.6
							DIN 11850 Series 2 / DIN 11866 Series A		DIN 32676 Series A (ISO Tube)	
4	-	RV50	83	126.5	28	14	6.0×1.0	52.5	-	-
6	-	RV50	83	126.5	28	14	8.0×1.0	52.5	-	-
8	-	RV50	83	126.5	28	14	10.0×1.0	52.5	-	-
10	-	RV50	83	126.5	28	14	13.0×1.5	52.5	34.0×10.0	70.5
15	-	RV50	83	126.5	34	17	19.0×1.5	52.5	34.0×16.0	70.5
20	-	RV70	125	162.5	48	24	23.0×1.5	68.5	34.0×20.0	86.5
25	-	RV70	125	162.5	48	24	29.0×1.5	68.5	50.5×26.0	90
32	-	RV110	171	193	65	32.5	35.0×1.5	90	50.5×32.0	111.5
40	-	RV110	171	193	70	35	41.0×1.5	90	50.5×38.0	111.5
50	-	RV110	171	193	70	35	53.0×1.5	90	64.0×50.0	111.5
							ASME BPE / DIN 11866 Series C		ASME BPE	
8	¼"	RV50	83	126.5	28	14	6.35×0.89	52.5	25.0×4.57	81.1
10	⅜"	RV50	83	126.5	28	14	9.53×0.89	52.5	25.0×7.75	81.1
15	½"	RV50	83	126.5	28	14	12.7×1.65	52.5	25.0×9.4	81.1
20	¾"	RV50	83	126.5	34	17	19.05×1.65	52.5	25.0×15.75	81.1
25	1"	RV70	125	162.5	48	24	25.4×1.65	68.5	50.5×22.1	97.1
40	1 ½"	RV110	171	193	70	35	38.1×1.65	90	50.5×34.8	118.6
50	2"	RV110	171	193	70	35	50.8×1.65	90	64.0×47.5	118.6

## Dimensions [mm]

4 connections 4 seats CF; 4C4S CF



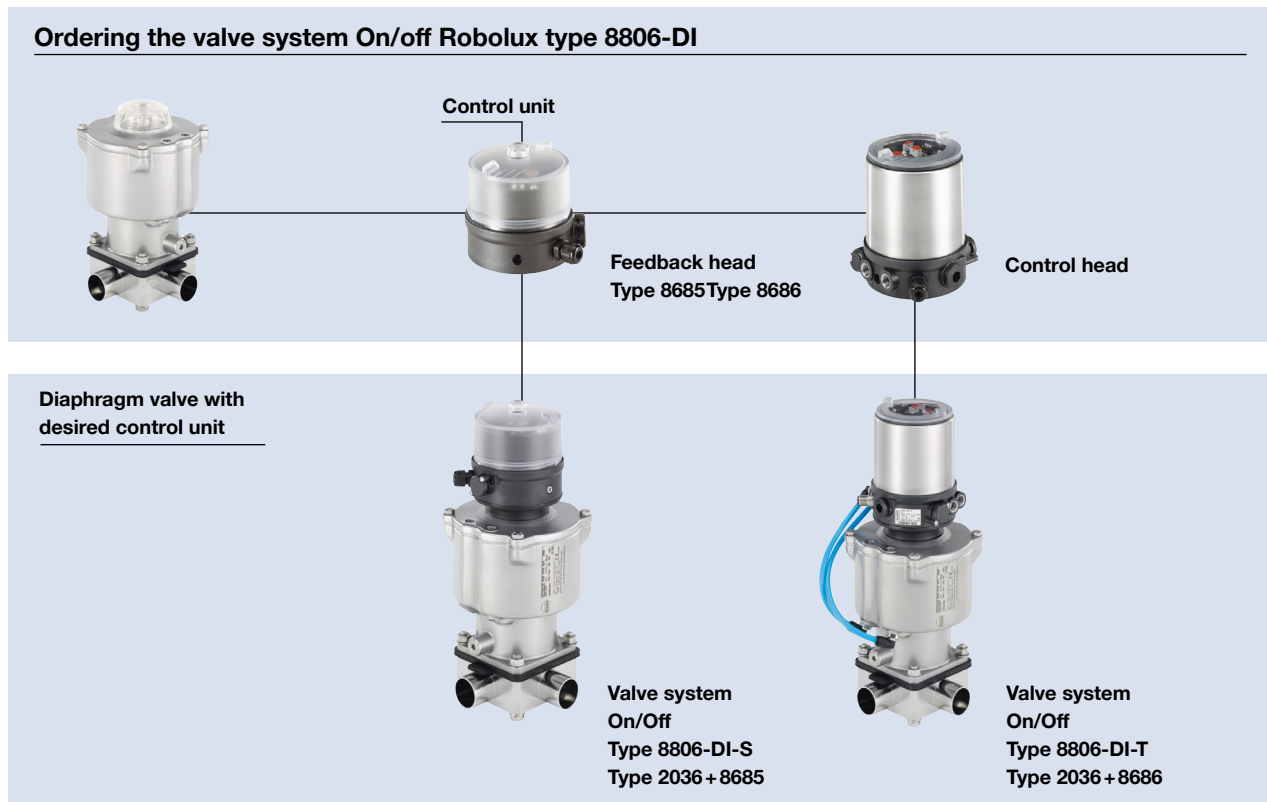
Note: Lengths L1-L5 and H3-H4 or L2 apply to opening housing connections.

DN [mm]	DN [Zoll]	Actuator size	$\varnothing D1$	H1	H2	H3	H4	L5	Weld end D x s		Clamp DCI x di			
									L1	L3	L2		L4	
									DIN EN ISO 1127 / ISO 4200 / DIN 11866 Series B		DIN32676 series B (ISO Tube)			
6	-	RV50	83	126.5	40	18.5	11.5	20.5	10.2×1.6	52.5	52.5	-	-	-
8	-	RV50	83	126.5	42	19	9.9	13.6	13.5×1.6	52.5	52.5	25.0×10.3	81.1	81.1
10	-	RV50	83	126.5	50	21.5	12	18.2	17.2×1.6	52.5	52.5	25.0×14.0	81.1	-
15	-	RV50	83	126.5	58	25.5	11.7	12.2	21.3×1.6	52.5	52.5	50.5×18.1	81.1	81.1
20	-	RV70	125	162.5	67	25.5	15.2	27.8	26.9×1.6	68.5	68.5	50.5×23.7	97.1	97.1
25	-	RV110	171	193	91	35	24.2	40.1	33.7×2.0	90	90	50.5×29.7	118.6	118.6
32	-	RV110	171	193	106	42	22.5	44	42.4×2.0	90	91.5	64.0×38.4	118.6	-
40	-	RV110	171	193	120	46.5	26	47.1	48.3×2.0	90	98.2	64.0×44.3	118.6	126.8
50	-	RV110	171	193	147	53.5	32	53.1	60.3×2.0	90	110.2	77.5×56.3	118.6	138.8
									DIN 11850 Series 2 / DIN 11866 Series A		DIN 32676 Series A (DIN Tube)			
4	-	RV50	83	126.5	40	18.5	13	22	6.0×1.0	52.5	52.5	-	-	-
6	-	RV50	83	126.5	40	18.5	12	21	8.0×1.0	52.5	52.5	-	-	-
8	-	RV50	83	126.5	40	18.5	11	20	10.0×1.0	52.5	52.5	-	-	-
10	-	RV50	83	126.5	40	19	9	19	13.0×1.5	52.5	52.5	34.0×10.0	81.1	81.1
15	-	RV50	83	126.5	54	23.5	11.9	13.3	19.0×1.5	52.5	52.5	34.0×16.0	81.1	81.1
20	-	RV70	125	162.5	62	22.5	17	26	23.0×1.5	68.5	68.5	34.0×20.0	86.5	86.5
25	-	RV70	125	162.5	73	27.5	16.5	29	29.0×1.5	68.5	69.5	50.5×26.0	90	91
32	-	RV110	171	193	95	37	23	41	35.0×1.5	90	90	50.5×32.0	111.5	111.5
40	-	RV110	171	193	104	41.5	22	33	41.0×1.5	90	91	50.5×38.0	111.5	112.5
50	-	RV110	171	193	134	50.5	30	50	53.0×1.5	90	103.5	64.0×50.0	111.5	125
									ASME BPE / DIN 11866 Series C		ASME BPE			
8	¼"	RV50	83	126.5	40	18.5	12.5	21.7	6.35×0.89	52.5	52.5	25.0×4.57	81.1	81.1
10	⅜"	RV50	83	126.5	40	18.5	11	20.1	9.53×0.89	52.5	52.5	25.0×7.75	81.1	81.1
15	½"	RV50	83	126.5	40	8.5	10.3	13.2	12.7×1.65	52.5	52.5	25.0×9.4	81.1	81.1
20	¾"	RV50	83	126.5	53	22.5	12	13.4	19.05×1.65	52.5	52.5	25.0×15.75	81.1	81.1
25	1"	RV70	125	162.5	65	24.5	16	27	25.4×1.65	68.5	68.5	50.5×22.1	97.1	97.1
40	1 ½"	RV110	171	193	98	39	21.6	42.4	38.1×1.65	90	90	50.5×34.8	118.6	118.6
50	2"	RV110	171	193	126	48.5	27.7	48.7	50.8×1.65	90	101	64.0×47.5	118.6	129.6

**Ordering information for valve system On/Off Robolux Type 8806**

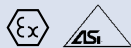
A valve system On/Off Robolux Type 8806 consists of a diaphragm valve Type 2036 and a feedback head Type 8685 or control head Type 8686. For the configuration of further valve systems please use the "Request for quotation". You order two components and receive a complete assembled and certified valve.

**Ordering the valve system On/off Robolux type 8806-DI**



Click on the orange box "More info." below... you will come to our website for the resp. product where you can download the data sheet.

**Position feedback head Type 8685**



**More info.**

The New Feedback, Type 8685, for combination with the pneumatically operated actuator, Type 2036. The Robolux model is specially designed for hygienic environments.

The feedback unit with electrical position feedback is also available in ASI and is intrinsically safe acc. to ATEX

Main customer benefits:

- Adjustment to the individual actuator size is done through DIP switches.
- The devices contain the complete automation functionality of the two individually operated actuator pistons.
- Visual position feedback is done by non-contact switches and high-power LEDs.
- Hygienic design, materials are chemically resistant against cleaning media and a proven electrical IP protection.
- Standard version, 24 V DC.

**Control head Type 8686**



**More info.**

The new Control Head, Type 8686, for combination with the pneumatically operated actuator, Type 2036. The Robolux model is specially designed for hygienic environments.

The Control Head which combines electrical position feedback and pneumatic control is also available in ASI and is intrinsically safe acc. to ATEX

Main customer benefits:

- Adjustment to the individual actuator size is done through DIP switches.
- The devices contain the complete automation functionality of both individually operated actuator pistons.
- Visual position feedback is done by noncontact switches and high-power LEDs.
- Integrated compressed air filter to protect the pilot valve function against particles through the compressed air supply.
- Hygienic design, materials being chemically resistant against cleaning media and a proven electrical IP protection.
- Standard version, 24 V DC.

**Note:**

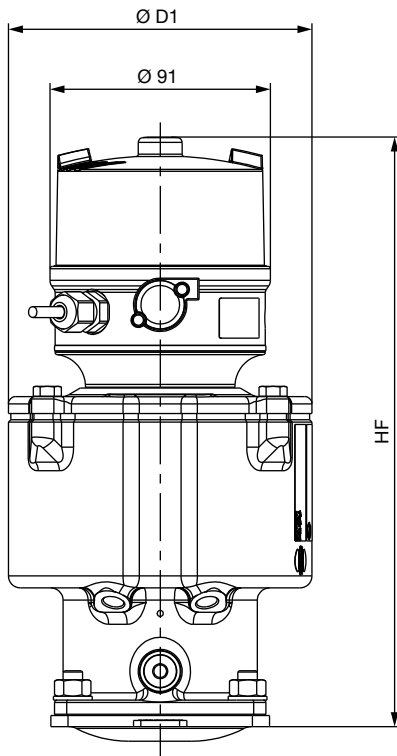
Certain system configurations of size RV50 can not be welded to each other directly. Please contact your local subsidiaries in advance before ordering.



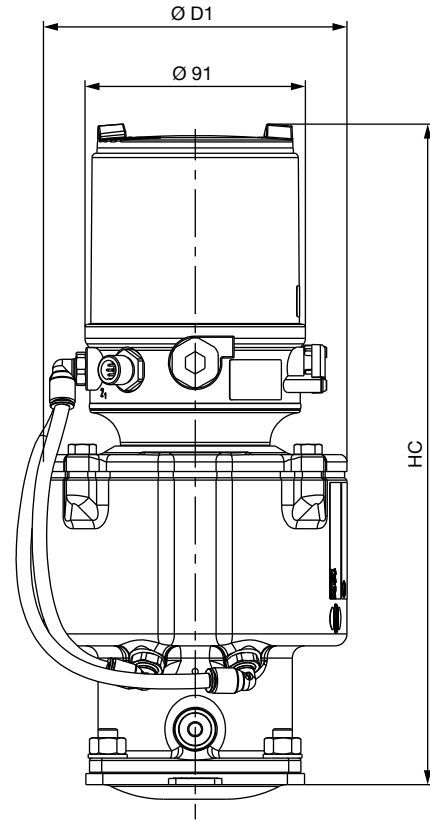
**Dimensions for valve system On/Off Robolux Type 8806-DI [mm]**

Type 8806-DI-S with feedback head Type 8685  
Type 8806-DI-T with feedback head Type 8686

**8806-DI-S**  
2036 with feedback head 8685



**8806-DI-T**  
2036 with feedback head 8686



Actuator size	ØD1	HF	HC
RV50	83	214.5	243.5
RV70	125	242.5	272
RV110	171	273	302.5

**Note:** For housing dimensions see pages 5 to 7

**Note**

You can fill out the fields directly in the PDF file before printing out the form.

**Robolux valves – request for quotation**

Please fill out and send to your nearest Bürkert facility with your inquiry or order

Company	Contact person
Customer no.	Department
Address	Tel./Fax
Postcode/town	E-Mail

= mandatory fields to fill out       Quantity       Required delivery date

**Operating data**

Pipe line	DN <input type="text"/>	PN <input type="text"/>
Pipe material	<input type="text"/>	
Process medium	<input type="text"/>	
Type of media	<input type="checkbox"/> Liquid	<input type="checkbox"/> Steam
	<input type="checkbox"/> Gas	<input type="checkbox"/> CIP
		<input type="checkbox"/> SIP

**Valve features**

Surface finish	<input type="checkbox"/> Standard Ra 0.5 internal	<input type="text"/> other internal	<input type="text"/> other external
Seal material	<input type="checkbox"/> EPDM	<input type="checkbox"/> advanced PTFE	<input type="text"/> other
Medium pressure	Pmed <input type="text"/>		
Orifice	DN <input type="text"/>		
Type of connection	<input type="checkbox"/> Weld end	<input type="checkbox"/> Clamp	<input type="text"/> other
Standard connection	<input type="checkbox"/> ISO	<input type="checkbox"/> DIN R2	<input type="checkbox"/> ASME BPE
		<input type="text"/> other	
Pilot pressure	<input type="text"/> min.	<input type="text"/> max.	
Please specify item no. if known:	<input type="text"/>		

**Valve features**

**Specification key** (automatically transferred from p. 11)

<b>2036</b>	<input type="text"/>	<input type="text"/>	<input type="text"/>	<input type="text"/>	<input type="text"/>	<b>SS</b>	<input type="text"/>	<input type="text"/>	<b>FA07</b>	<input type="text"/>
-------------	----------------------	----------------------	----------------------	----------------------	----------------------	-----------	----------------------	----------------------	-------------	----------------------

**Control unit features**

<input type="checkbox"/> Position Feedback Head Type 8685	<input type="checkbox"/> Control Head Type 8686
<b>Position feedback</b> <input type="checkbox"/> 2x inductive <input type="checkbox"/> 2x inductive Namur	<b>Position feedback</b> <input type="checkbox"/> 2x inductive <input type="checkbox"/> 2x inductive Namur
<b>Communication</b> <input type="checkbox"/> ASI, Flat cable clip, 1 m cable	<b>Communication</b> <input type="checkbox"/> ASI, Flat cable clip, 1 m cable
<b>Supply voltage</b> <input type="checkbox"/> 24 V DC <input type="checkbox"/> 8 V (Namur)	<b>Supply voltage</b> <input type="checkbox"/> 24 V DC <input type="checkbox"/> 8 V (Namur)
<b>Approval</b> <input type="checkbox"/> II 2G Ex ia IIC T4 Gb (BVS 13 ATEX E 039 X) Ex ia IIC T4 Gb (IECEX BVS 13.0047X)	<b>Approval</b> <input type="checkbox"/> II 2G Ex ia IIC T4 Gb (BVS 13 ATEX E 039 X) Ex ia IIC T4 Gb (IECEX BVS 13.0047X)
Please specify item no. if known: <input type="text"/>	Please specify item no. if known: <input type="text"/>

**Specification key** (other versions and valve blocks on request)

**Example** 32R 50 AD VH SA42 SS D 11 000 FA07 NO23

**Specification key**

Please make a choice

Connections-Seats	
32R	3C2S 3 Connections 2 seats
42R	4C2S 4 Connections 2 seats
44C	4C4S CF 4 Connections 4 seats Cross Flow
44D	4C4S DFP 4 Connections 4 seats Double Flow Path

Actuators*	
50	actuator RV50
70	actuator RV70
11	actuator RV110

**\*Remark:** The actuator size depends on the size of the port connection (see p. 12)

Diaphragm material	
AD	EPDM
EK	advanced PTFE

Others on request

Body material	
VH	stainless steel 1.4435, AISI 316L

Other body materials on request,  
VI stainless steel 1.4435-BN<sub>2</sub>, AISI 316L-ASME BPE

**Port connections**  
Continued on p. 12



Variable codes	
Surface finish external	
machined Ra ≤ 1.6	
electropolished Ra ≤ 1.6	
Surface finish internal	
NO14	mechanically polished Ra ≤ 0.5 µm (ASME BPE SF1)
NO17	electropolished Ra ≤ 0.38 µm (ASME BPE SF4 / DIN HE4)

Standard

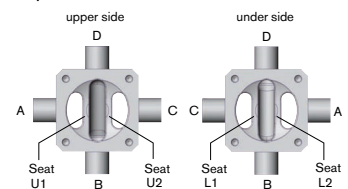
Actuators lower side*	
D	double actuator
000	without actuator (3C2S, 4C2S)
1	Seat closed by spring force
2	Seat opened by spring force
5	Seat closed by reduced spring force

Actuators upper side*	
D	double actuator
1	Seat closed by spring force
2	Seat opened by spring force
5	Seat closed by reduced spring force

- Actuator upper side (example)  
D11 = Seat U1 and U2 normally closed by spring action  
D21 = Seat U1 normally open and U2 normally closed by spring action
- Actuator lower side  
Same option is available for the lower side.

Please refer to the section *Valve symbols and flow patterns* p. 3 for more details.

Example:



(orientation of the ports A-B-C-D counter clock-wise)

(orientation of the ports A-B-C-D clockwise)

**Specification key, continued** (other versions and valve blocks on request)

**Port connection, weld end**

Orifice DN [mm]	[inch]	DIN EN ISO 1127 / ISO 4200 / DIN 11866 series B	DIN 11850 series 2 / DIN 11866 series A	ASME BPE / DIN 11866 series C
<b>Port connections for valves with actuator size RV50</b>				
4			SC40 - 6 × 1.0	
6	1/8"	SA78 - 10.2 × 1.6	SC41 - 8 × 1.0	
8	1/4"	SA40 - 13.5 × 1.6	SC42 - 10 × 1.0	SA90 - 6.35 × 0.89
10	3/8"	SA41 - 17.2 × 1.6	SD40 - 13 × 1.5	SA91 - 9.53 × 0.89
15	1/2"	SA42 - 21.3 × 1.6	SD42 - 19 × 1.5	SA92 - 12.7 × 1.65
20	3/4"			SA93 - 19.05 × 1.65
<b>Port connections for valves with actuator size RV70</b>				
20	3/4"	SA43 - 26.9 × 1.6	SD43 - 23 × 1.5	
25	1"		SD44 - 29 × 1.5	SODF - 25.4 × 1.65
<b>Port connections for valves with actuator size RV110</b>				
25	1"	SA44 - 33.7 × 2.0		
32	1 1/4"	SA45 - 42.4 × 2.0	SD45 - 35 × 1.5	
40	1 1/2"	SA46 - 48.3 × 2.0	SD46 - 41 × 1.5	SODH - 38.1 × 1.65
50	2"	SA47 - 60.3 × 2.0	SD47 - 53 × 1.5	SODI - 50.8 × 1.65

**Port connection, clamp**

Orifice DN [mm]	[inch]	DIN 32676 series B (Pipe DIN EN ISO 1127 / ISO 4200 / DIN 11866 series B)	DIN 32676 series A (Pipe DIN 11850 series 2 / DIN 11866 series A)	ASME BPE (Pipe 11866 series A)
<b>Port connections for valves with actuator size RV50</b>				
6	1/8"		TD39 - 8.0 × 1.0 Cl: 25.0	
8	1/4"	TC40 - 13.5 × 1.6 Cl: 25.0	TD40 - 10.0 × 1.0 Cl: 25.0	TG 50 - 6.35 × 0.89 Cl: 25.0
10	3/8"	TC53 - 17.2 × 1.6 Cl: 25.0	TD41 - 13.0 × 1.5 Cl: 34.0	TG 01 - 9.53 × 0.89 Cl: 25.0
15	1/2"	TC52 - 21.3 × 1.6 Cl: 50.5	TD42 - 19.0 × 1.5 Cl: 34.0	TG 02 - 12.7 × 1.65 Cl: 25.0
20	3/4"			TG 03 - 19.05 × 1.65 Cl: 25.0
<b>Port connections for valves with actuator size RV70</b>				
20	3/4"	TC43 - 26.9 × 1.6 Cl: 50.5	TD43 - 23.0 × 1.5 Cl: 34.0	
25	1"		TD44 - 29.0 × 1.5 Cl: 50.5	TG 04 - 25.4 × 1.65 Cl: 50.5
<b>Port connections for valves with actuator size RV110</b>				
25	1"	TC44 - 33.7 × 2.0 Cl: 50.5		
32	1 1/4"	TC55 - 42.4 × 2.0 Cl: 64.0	TD45 - 35.0 × 1.5 Cl: 50.5	
40	1 1/2"	TC46 - 48.3 × 2.0 Cl: 64.0	TD46 - 41.0 × 1.5 Cl: 50.5	TG 05 - 38.1 × 1.65 Cl: 50.5
50	2"	TC47 - 60.3 × 2.0 Cl: 77.5	TD47 - 53.0 × 1.5 Cl: 64.0	TG 06 - 50.8 × 1.65 Cl: 64.0

To find your nearest Bürkert facility, click on the orange box → [www.burkert.com](http://www.burkert.com)

In case of special application conditions,  
please consult for advice.

Subject to alteration  
© Christian Bürkert GmbH & Co. KG

1802/4\_EU-en\_00895190